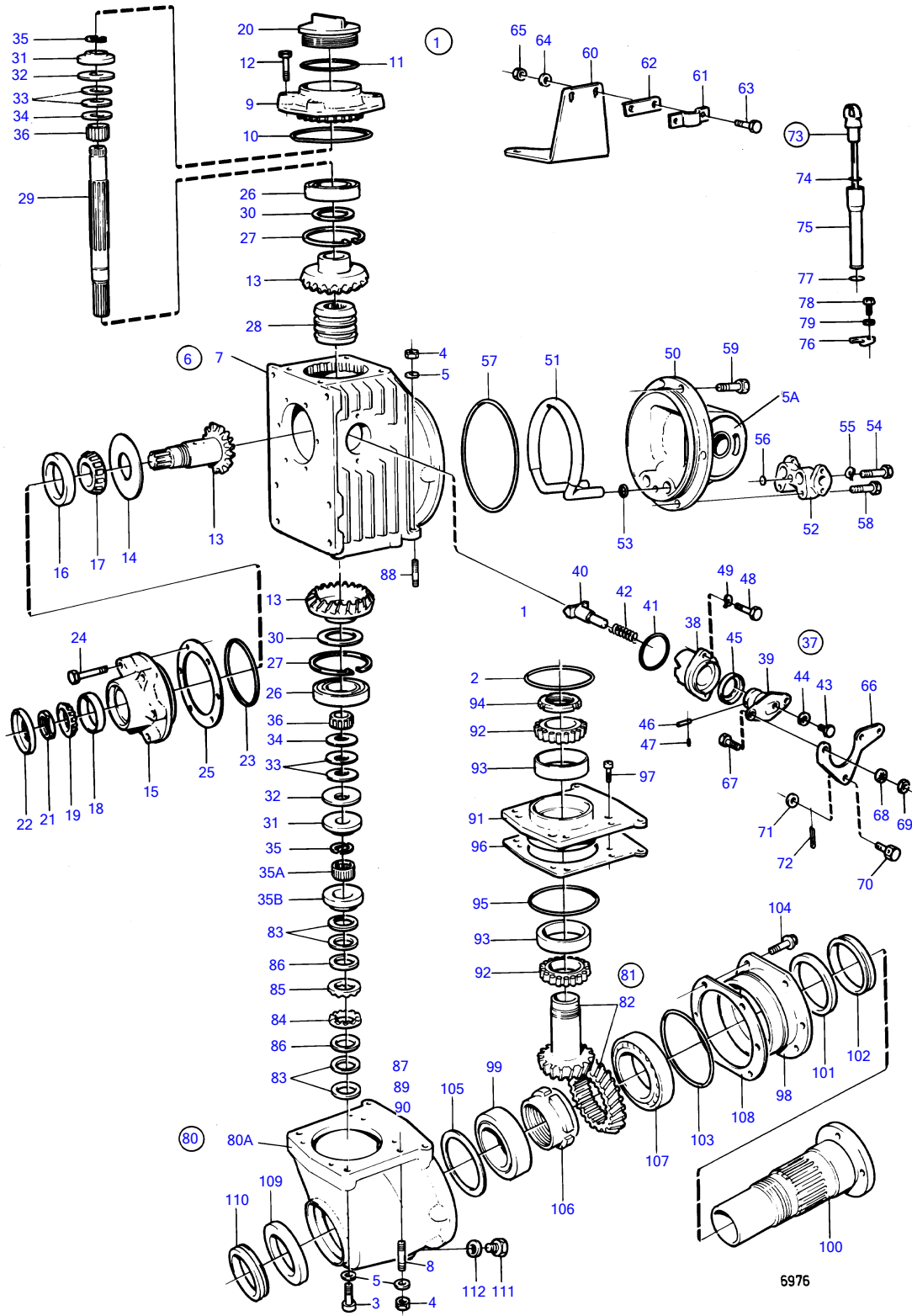


MD30A



MD30A

REF	PART NO.	QTY	DESCRIPTION	SEE SEC.	NOTES
1		1	V-DRIVE UNIT MS2V		RATIO 2,4:1
2	925256	1	• O-ring		
3	963702	2	• Hex. socket screw		
4	963106	4	• Lock nut		
5	955894	4	• Washer		
5A	838507	1	• Rubber element		
6	852582	1	• Upper gear		
7	852729	1	• • Housing		OBSOLETE PART
8	924066	2	• • Stud		
9	852524	1	• • Cover		
10	949962	1	• • O-ring		
11	925254	1	• • O-ring		
12	946671	4	• • Flange screw		
13	851616	1	• • Gear set		
14	851621	1	• • Turntable		
15	851619	1	• • Bearing box		
16	181302	1	• • Cup		
17	181301	1	• • Inner ring		
18	183750	1	• • Cup		
19	183752	1	• • Cone		
20	851754	1	• • Filler cap		
21	852485	1	• • Lock nut		
22	851755	1	• • Sealing ring		
23	925093	1	• • O-ring		
24	940101	6	• • Hexagon screw		
25	851622	X	• • Adjusting washer		TH = 0.10mm
	851623	X	• • Adjusting washer		TH=0,15mm
	851624	X	• • Adjusting washer		TH = 0.35mm
26	851756	2	• • Bearing		
27	852190	2	• • Lock ring		
28	851626	1	• • Sliding sleeve		
29	852527	1	• • Shaft		
30	852184	X	• • Shim		TH = 0,05 MM
	84219	X	• • Shim		TH = 0.10mm
	949776	X	• • Shim		TH=0,15mm
	84218	X	• • Shim		TH = 0.35mm
31	852079	2	• • Lock washer		
32	852213	2	• • Disc spring		
33	852080	6	• • Disc spring		
34	852311	2	• • Washer		TH = 0.4mm
	852317	2	• • Washer		TH = 0.8mm
35	851629	4	• • Lock ring half		
35A	192100	1	• • Needle bearing		OBSOLETE PART
35B	852967	1	• • Bearing sleeve		OBSOLETE PART, (852618)
36	851757	2	• • Needle bearing		
37	851661	1	• • Shift mechanism		
38	851662	1	• • • Bearing housing		
39	897816	1	• • • Eccentric piston		
			Bulletin P-44-1-7	P-44-1-7-EN	Shift mechanism, eccentric piston
40	851664	1	• • • Dog		
41	925065	1	• • • O-ring		
42	814184	1	• • • Spring		
43	897711	1	• • • Screw		
44	897871	X	• • • Shim		TH = 0.20mm
45	958838	1	• • • Sealing ring		
46	942871	1	• • • Clevis pin		
47	951924	1	• • • Spring pin		
48	955296	2	• • Hexagon screw		
49	941907	2	• • Spring washer		
50	851872	1	• • Bracket		
51	852159	1	• • Oil cooler		
52	852733	1	• • Pipe connection		OBSOLETE PART
53	943309	2	• • O-ring		

MD30A

REF	PART NO.	QTY	DESCRIPTION	SEE SEC.	NOTES
54	955278	1	• • Hexagon screw		
55	941906	1	• • Spring washer		
56	949750	1	• • O-ring		
57	925262	1	• • O-ring		
58	945444	4	• • Flange screw		L = 25 MM
59	965179	2	• • Flange screw		L = 50 MM
60	851441	1	• • Bracket		
61	21471054	1	• • Bracket		
62	819068	1	• • Washer		
63	955246	2	• • Hexagon screw		
64	940090	2	• • Washer		
65	946577	2	• • Lock nut		
66	852363	1	• • Intermediate lever		
67	955270	2	• • Hexagon screw		
68	955948	2	• • Toothed washer		
69	955781	2	• • Hexagon nut		
70	804312	1	• • Cube		
71	955892	1	• • Washer		
72	907834	1	• • Split pin		(17276)
73	852915	1	• • Oil dipstick		
74	925054	1	• • • O-ring		
75	852916	1	• • Tube		
76	852229	1	• • Cardboard tube		
77	925055	1	• • O-ring		
78	956063	1	• • Cross recessed screw		
79	955891	1	• • Washer		
80	852598	1	• Lower gear		
80A	852739	1	• • Housing		OBSOLETE PART
81	851448	1	• • Gear set		OBSOLETE PART
82		2	• • • GEAR		
83		4	• • • CUP SPRING		
84		18	• • • OUTER DISC		
85		17	• • • INNER DISC		
86		2	• • • THRUST WASHER		
87		1	• • • ADJUSTING SCREW		
88	953053	2	• • Stud		
89	851415	1	• • Guide sleeve		
90	925056	2	• • O-ring		
91	852589	1	• • Bearing box		OBSOLETE PART
92	181305	2	• • Cone		REPL BY 183842
93	181662	1	• • Cup		REPL BY 183842
	183842	1	• Roller bearing		
94	852616	1	• • Lock nut		OBSOLETE PART
95	925256	1	• • O-ring		
96	852593	X	• • Adjusting washer		OBSOLETE PART, TH = 0.10mm
	852594	X	• • Adjusting washer		TH=0,15mm
	852595	X	• • Adjusting washer		OBSOLETE PART, TH = 0.35mm
97	959202	4	• • Hex. socket screw		OBSOLETE PART, L = 14 MM
98	852584	1	• • Bearing housing		
99	184619	1	• • Roller bearing		OBSOLETE PART
100	852599	1	• • Tubular shaft		
101	959039	1	• • Sealing ring		
102	944144	1	• • Sealing ring		
103	925263	1	• • O-ring		
104	945444	6	• • Flange screw		
105	943252	X	• • Shim		TH = 0,05 MM
	943866	X	• • Shim		TH = 0.10mm
	943867	X	• • Shim		TH = 0.20mm
	967557	X	• • Shim		TH = 0,30mm
	943868	X	• • Shim		TH = 0.40 mm
106	852619	1	• • Nut		OBSOLETE PART
107	184620	1	• • Roller bearing		
108	852590	X	• • Adjusting washer		OBSOLETE PART, TH = 0.10mm

7744050-44-18194

6976

Upd:2010-07-01

AD30A, AQAD30A, MD30A, TAMD30A, TMD30A, AD30, AQAD30, MD30, TAMD30, TMD30

