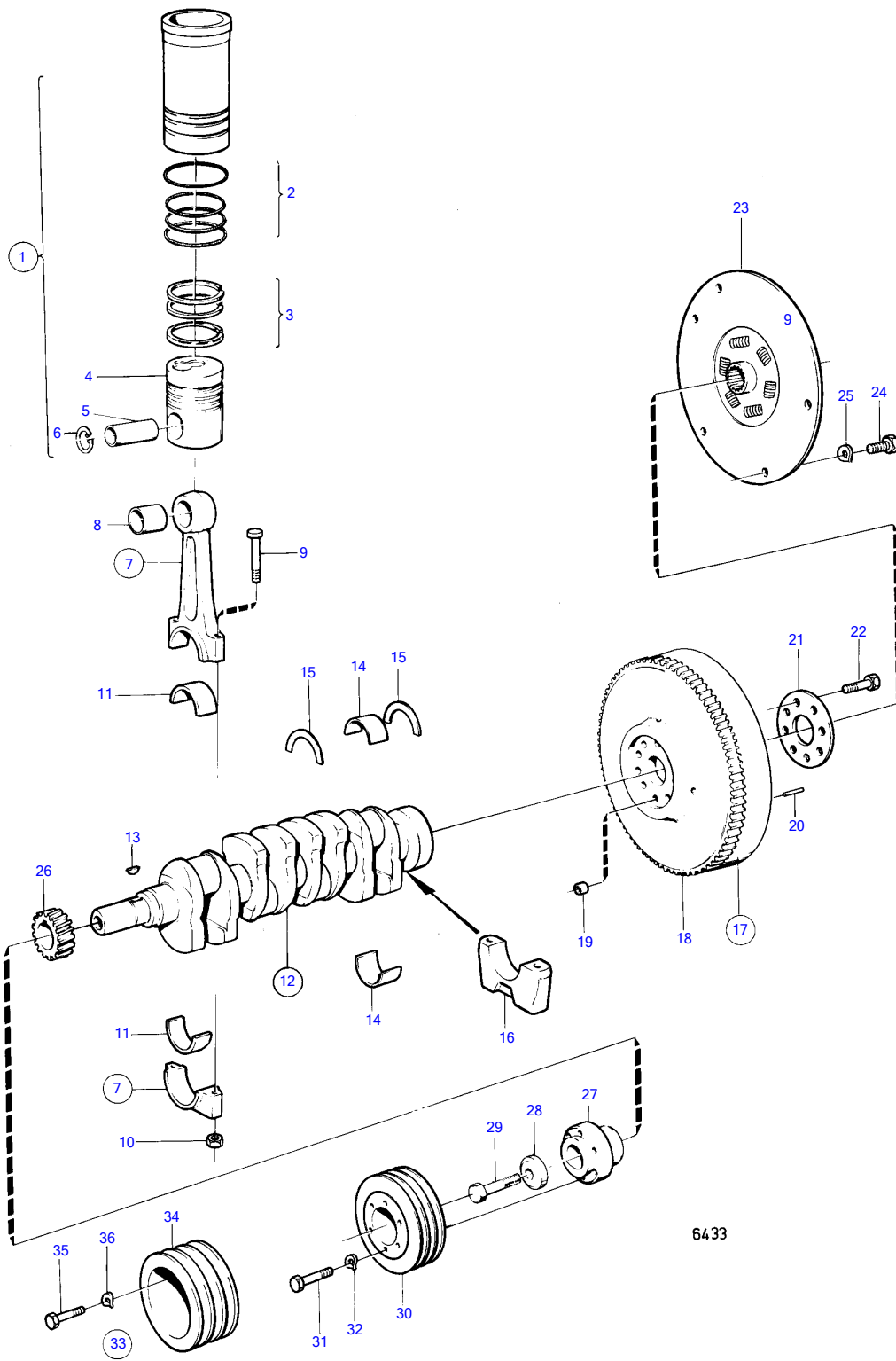


AQAD30A, MD30A, TAMD30A, TMD30A



AQAD30A, MD30A, TAMD30A, TMD30A

REF	PART NO.	QTY	DESCRIPTION	SEE SEC.	NOTES
1	875722	4	Cylinder liner kit		
2	875651	4	• Sealing ring kit		
3	275350	4	• Piston ring kit		
4		4	• PISTON		
5	1542160	4	• Piston pin		
6	914519	8	• Snap ring		
7	1542072	4	Connecting rod		
8	1542076	4	• Bushing		
9	1542077	8	• Connecting rod bolt		
10	1542078	8	• Nut		
11	270111	4	Main bearing kit		STD D
	270112	4	Main bearing kit		UNDER SIZE 0,25 MM
	270113	4	Main bearing kit		UNDER SIZE 0,50 MM
	270114	4	Main bearing kit		UNDER SIZE 0,75 MM
12	1544120	1	Crankshaft		
			Bulletin 44-22	44-22-EN	New Crankshaft
13	910118	1	• Woodruff key		
14	270467	5	Main bearing kit		STD D
	270468	5	Main bearing kit		UNDER SIZE 0,25 MM
	270469	5	Main bearing kit		UNDER SIZE 0,50 MM
	270470	5	Main bearing kit		UNDER SIZE 0,75 MM
15	270464	1	Thrust washer kit		STD D
	270465	1	Thrust washer kit		OVER SIZE 0,1 MM
	270466	1	Thrust washer kit		OVER SIZE 0,2 MM
16			BEARING CAP	18135	
17	829460	1	Flywheel		
18	829462	1	• Ring gear		
19	415311	3	• Guide sleeve		
20	191873	3	• Locating pin		
21	1542093	1	Bolt plate		
22	1544147	8	Screw		
23	855389	1	Absorber		(841895) MO2778-
	846755	1	Absorber		FOR REVERSE GEAR MS2., OBSOLETE PART
24	955295	6	Hexagon screw		
25	941907	6	Spring washer		
26	1542305	1	Gear	18138	
27	1542196	1	Hub		
28	420124	1	Washer		
29	1542149	1	Hexagon screw		
30	1542315	1	Pulley		
31	955299	6	Hexagon screw		
32	941907	6	Spring washer		
33	843314	1	Pulley		
34	842710	1	• Pulley		
35	955301	6	• Hexagon screw		
36	941907	6	• Spring washer		