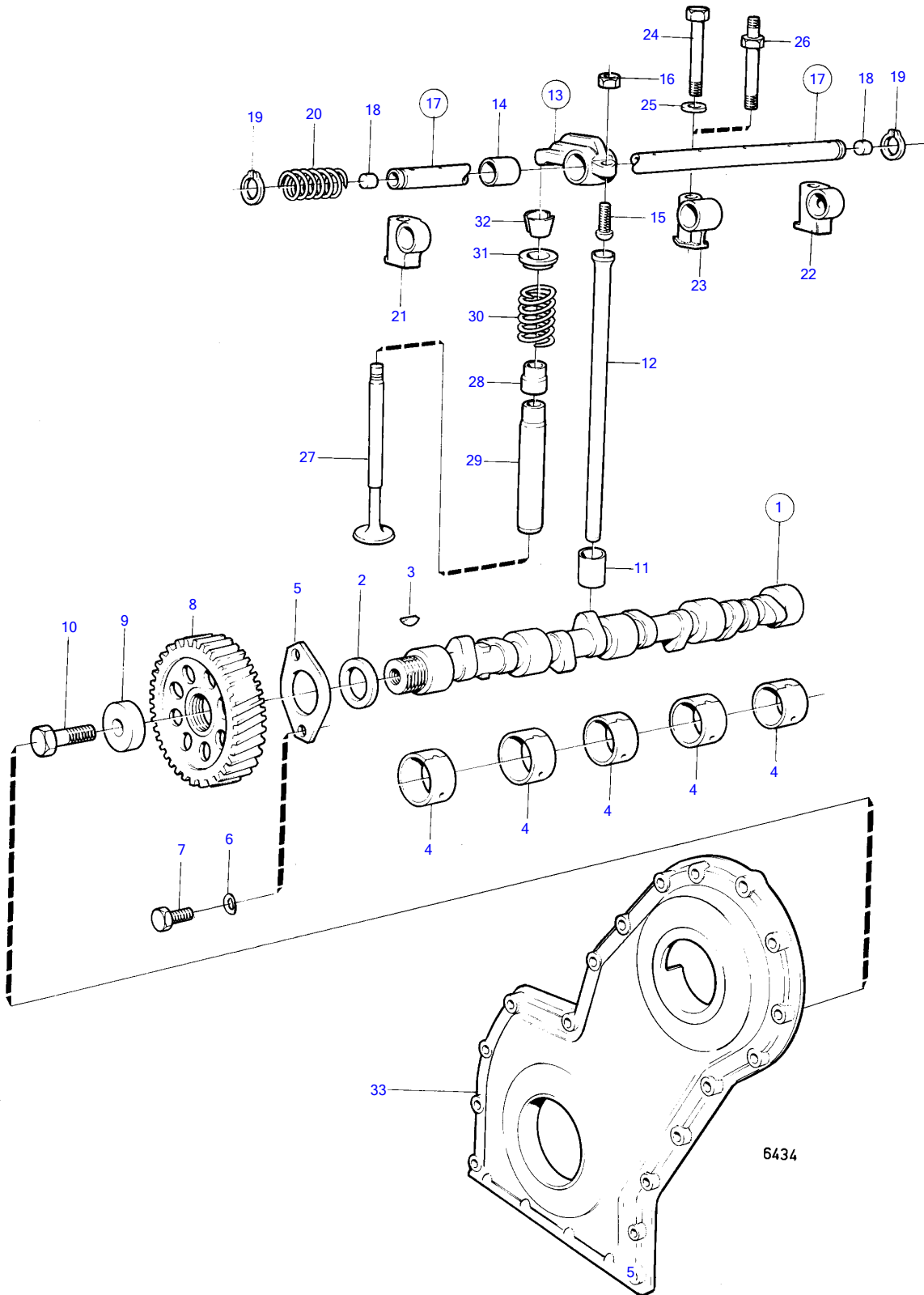


AQAD30A, MD30A, TAMD30A, TMD30A



AQAD30A, MD30A, TAMD30A, TMD30A

| REF | PART NO. | QTY | DESCRIPTION | SEE SEC. | NOTES |
|-----|----------|-----|-----------------------------|----------|---------------|
| 1 | 1544115 | 1 | Camshaft | | OBSOLETE PART |
| 2 | 1542221 | 1 | • Spacer washer | | |
| 3 | 910116 | 1 | • Woodruff key | | |
| 4 | 1542067 | 5 | Camshaft bushing | 18135 | |
| 5 | 838992 | 1 | Thrust washer | | (1542222) |
| 6 | 941907 | 2 | Spring washer | | |
| 7 | 955295 | 2 | Hexagon screw | | |
| 8 | 1542034 | 1 | Gear | 18138 | |
| 9 | 1542223 | 1 | Washer | 18138 | |
| 10 | 955344 | 1 | Hexagon screw | 18138 | |
| 11 | 1542208 | 8 | Valve tappet | | |
| 12 | 1545239 | 8 | Push rod | | |
| 13 | 418301 | 4 | Rocker arm | | NO. 1-3-5-7 |
| | 418298 | 4 | Rocker arm | | NO. 2-4-6-8 |
| 14 | 418297 | 8 | • Bushing | | |
| 15 | 418286 | 8 | • Ball stud | | |
| 16 | 921781 | 8 | • Hexagon nut | | |
| 17 | 1544113 | 1 | Rocker arm shaft | | OBSOLETE PART |
| 18 | 955083 | 2 | • Cap plug | | |
| 19 | 914456 | 2 | Snap ring | | |
| 20 | 411139 | 3 | Compression spring | | |
| 21 | 1542041 | 1 | Bearing bracket | | |
| 22 | 1542042 | 1 | Bearing bracket | | OBSOLETE PART |
| 23 | 1542043 | 4 | Bearing bracket | | OBSOLETE PART |
| 24 | 955304 | 4 | Hexagon screw | | |
| 25 | 955894 | 4 | Washer | | |
| 26 | 1542283 | 2 | Stud | 18139 | |
| 27 | 1542472 | 4 | Inlet valve | | |
| | 1542389 | 4 | Exhaust valve | | |
| 28 | 1306630 | 4 | Valve stem seal | | (419702) |
| 29 | 419653 | 8 | Valve guide | 18139 | |
| 30 | 1545198 | 8 | Valve spring | | |
| 31 | 460181 | 8 | Washer | | |
| 32 | 419643 | 16 | Valve collet | | |
| 33 | | | TIMING GEAR COVER AND GEARS | 18138 | |

7744050-21-18137

6434

Upd:2010-07-01

AD30A, AQAD30A, MD30A, TAMD30A, TMD30A, AD30, AQAD30, MD30, TAMD30, TMD30

VOLVO
PENTA