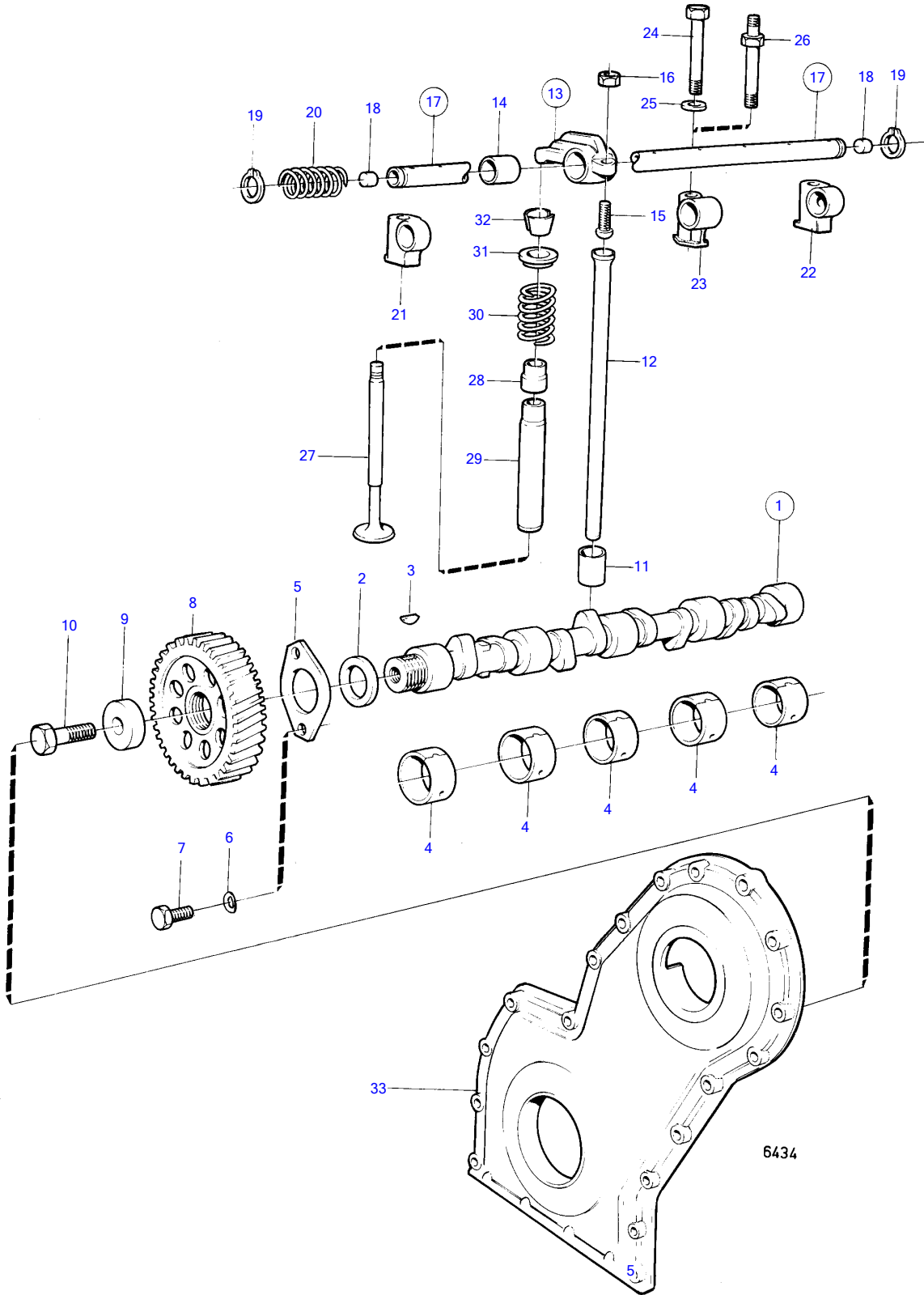


AQAD30A, MD30A, TAMD30A, TMD30A



AQAD30A, MD30A, TAMD30A, TMD30A

REF	PART NO.	QTY	DESCRIPTION	SEE SEC.	NOTES
1	1544115	1	Camshaft		OBSOLETE PART
2	1542221	1	• Spacer washer		
3	910116	1	• Woodruff key		
4	1542067	5	Camshaft bushing	18135	
5	838992	1	Thrust washer		(1542222)
6	941907	2	Spring washer		
7	955295	2	Hexagon screw		
8	1542034	1	Gear	18138	
9	1542223	1	Washer	18138	
10	955344	1	Hexagon screw	18138	
11	1542208	8	Valve tappet		
12	1545239	8	Push rod		
13	418301	4	Rocker arm		NO. 1-3-5-7
	418298	4	Rocker arm		NO. 2-4-6-8
14	418297	8	• Bushing		
15	418286	8	• Ball stud		
16	921781	8	• Hexagon nut		
17	1544113	1	Rocker arm shaft		OBSOLETE PART
18	955083	2	• Cap plug		
19	914456	2	Snap ring		
20	411139	3	Compression spring		
21	1542041	1	Bearing bracket		
22	1542042	1	Bearing bracket		OBSOLETE PART
23	1542043	4	Bearing bracket		OBSOLETE PART
24	955304	4	Hexagon screw		
25	955894	4	Washer		
26	1542283	2	Stud	18139	
27	1542472	4	Inlet valve		
	1542389	4	Exhaust valve		
28	1306630	4	Valve stem seal		(419702)
29	419653	8	Valve guide	18139	
30	1545198	8	Valve spring		
31	460181	8	Washer		
32	419643	16	Valve collet		
33			TIMING GEAR COVER AND GEARS	18138	

7744050-21-18137

6434

Upd:2010-07-01

AD30A, AQAD30A, MD30A, TAMD30A, TMD30A, AD30, AQAD30, MD30, TAMD30, TMD30

VOLVO
PENTA