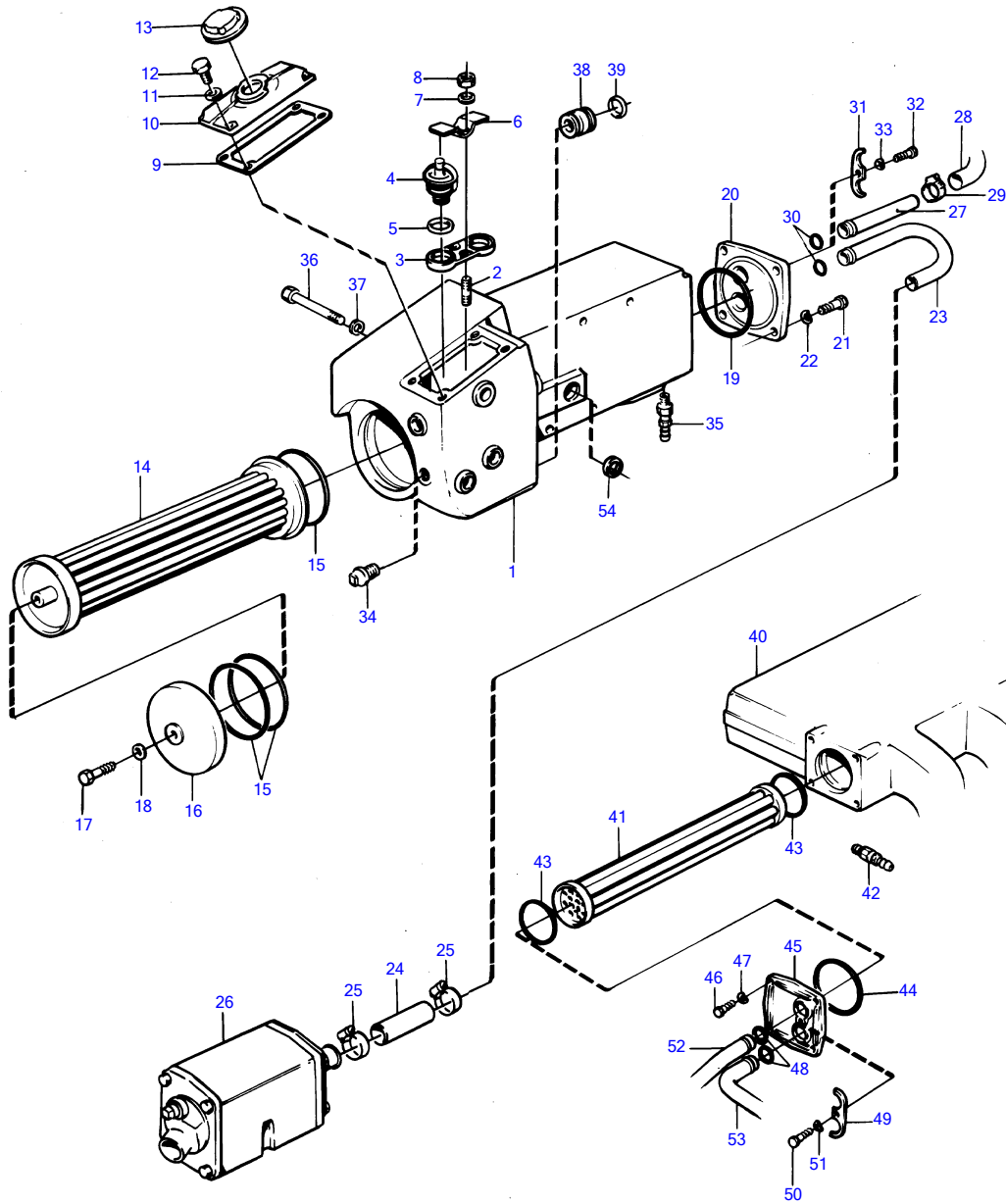


AQAD30A



7637

AQAD30A

REF	PART NO.	QTY	DESCRIPTION	SEE SEC.	NOTES
1	846773	1	Housing		REPL BY 838532
	838532	1	Housing		POUR INDICATEUR DE TEMP% E1RATURE 840345, MO4690-
2	924060	2	Stud		
3	845285	1	Retainer		
4	875787	2	Thermostat kit		(1544297)
5	416033	2	• Sealing ring		
6	845852	1	Shield		OBSOLETE PART
7	941670	2	Washer		
8	946330	2	Hexagon nut		
9	845291	2	Gasket		LATE TYPE
10	845284	1	Cardboard tube		
11	941907	4	Spring washer		
12	955295	4	Hexagon screw		
13	845879	1	Pressure cap		
14	846056	1	Insert		REPL BY 838909
	838909	1	Insert		MO4730-
					REPL BY 858639
	858639	1	Insert		
			Bulletin 44-06	44-06-EN	Heat Exchanger, After Cooler
15	925258	3	O-ring		
16	845679	1	Cardboard tube		
17	963567	1	Hexagon screw		
18	11992	1	Gasket		
19	925259	1	O-ring		
20	846090	1	Cardboard tube		OBSOLETE PART
21	955296	4	Hexagon screw		
22	941907	4	Spring washer		
23	846046	1	Coolant pipe	18146	
24	944386	X	Rubber hose		L = 90 MM
25	943475	2	Hose clamp		
26	846098	1	Oil cooler		REPL BY 838967
	838967	1	Oil cooler		MO5312-
				18151	
27	846052	1	Coolant pipe		EXCL AQAD30A/290DP, OBSOLETE PART
	838544	1	Hose connection		AQAD30A/290DP, OBSOLETE PART
28	835199	1	Hose		EXCL AQAD30A/290DP, OBSOLETE PART
				18159	
	838545	1	Hose		AQAD30A/290DP
				18159	
29	943475	2	Hose clamp	18159	
30	858986	2	Sealing ring		(842744)
31	829691	1	Retainer		
32	955270	1	Hexagon screw		
33	941906	1	Spring washer		
34	952358	3	Plug		
	952077	3	Plug		FOR 838532
35	949918	1	Shut-off cock		
36	955335	2	Hexagon screw		L = 150 MM
	955332	1	Hexagon screw		L = 120 MM
37	941908	3	Spring washer		
38	842965	1	Pipe	18159	
39	925067	2	O-ring	18146	
40	846032	1	Inlet pipe	18159	OBSOLETE PART
41	845978	1	Insert		REPL BY 838911
	838911	1	Insert		
			Bulletin 44-06	44-06-EN	Heat Exchanger, After Cooler
42	949918	1	Shut-off cock		
43	925258	2	O-ring		
44	925259	1	O-ring		
45	846090	1	Cardboard tube		OBSOLETE PART
46	955295	4	Hexagon screw		
47	941907	4	Spring washer		
48	858986	2	Sealing ring		(842744)

7744050-26-18148

7637

Upd:2010-07-01

AQAD30A

REF	PART NO.	QTY	DESCRIPTION	SEE SEC.	NOTES
49	829691	1	Retainer		
50	955270	1	Hexagon screw		
51	941906	1	Spring washer		
52	846054	1	Coolant pipe		REPL BY 838975
	838975	1	Coolant pipe		(846054), OBSOLETE PART
				18146	
53	846772	1	Tube	18146	OBSOLETE PART
				18146	
54	925068	1	O-ring		