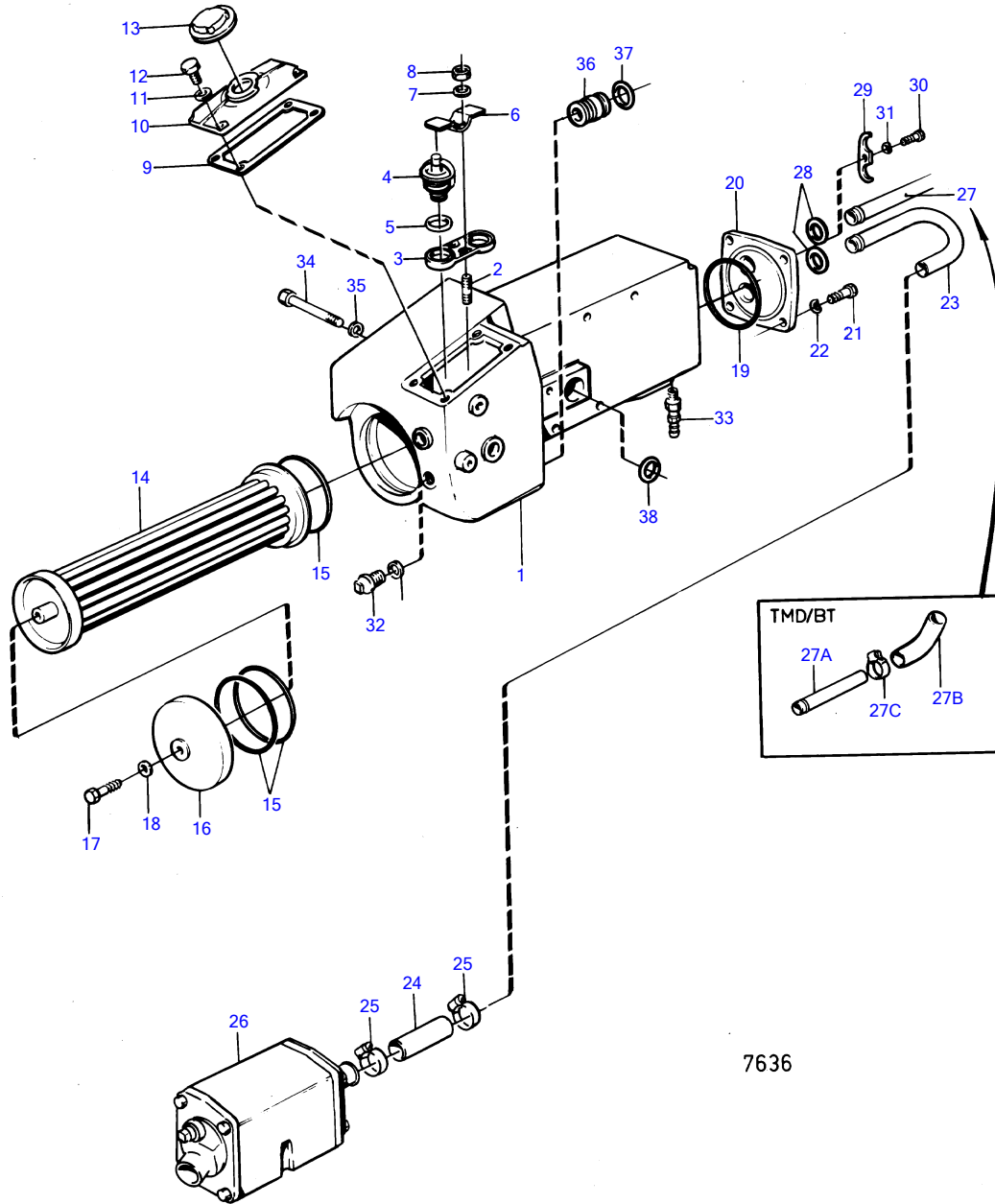


MD30A



A

MD30A

| REF | PART NO. | QTY | DESCRIPTION | SEE SEC. | NOTES |
|-----|----------|-----|----------------|----------|---|
| 1 | 846773 | 1 | Housing | | REPL BY 838532 |
| | 838532 | 1 | Housing | | POUR INDICATEUR DE TEMP% E1RATURE 840345, MO4690- |
| 2 | 924060 | 2 | Stud | | |
| 3 | 845285 | 1 | Retainer | | |
| 4 | 875787 | 2 | Thermostat kit | | 76C |
| 5 | 416033 | 2 | • Sealing ring | | |
| 6 | 845852 | 1 | Shield | | OBSOLETE PART |
| 7 | 941670 | 2 | Washer | | |
| 8 | 946330 | 2 | Hexagon nut | | |
| 9 | 845291 | 2 | Gasket | | LATE TYPE |
| 10 | 845284 | 1 | Cardboard tube | | |
| 11 | 941907 | 4 | Spring washer | | |
| 12 | 955295 | 4 | Hexagon screw | | |
| 13 | 845879 | 1 | Pressure cap | | |
| 14 | 846056 | 1 | Insert | | REPL BY 838909 |
| | 838909 | 1 | Insert | | MO4730- |
| | | | | | REPL BY 858639 |
| | 858639 | 1 | Insert | | |
| | | | Bulletin 44-06 | 44-06-EN | Heat Exchanger, After Cooler |
| 15 | 925258 | 3 | O-ring | | |
| 16 | 845679 | 1 | Cardboard tube | | |
| 17 | 963567 | 1 | Hexagon screw | | |
| 18 | 11992 | 1 | Gasket | | |
| 19 | 925259 | 1 | O-ring | | |
| 20 | 846090 | 1 | Cardboard tube | | OBSOLETE PART |
| 21 | 955296 | 4 | Hexagon screw | | |
| 22 | 941907 | 4 | Spring washer | | |
| 23 | 846046 | 1 | Coolant pipe | 18154 | |
| 24 | 944386 | X | Rubber hose | | L = 90 MM |
| 25 | 943475 | 2 | Hose clamp | | |
| 26 | 846098 | 1 | Oil cooler | | MO-5311 |
| | | | | 18151 | |
| | 838967 | 1 | Oil cooler | | MO5312- |
| | | | | 18151 | |
| 27 | 846770 | 1 | Tube | 18154 | |
| | | | | 18158 | |
| | | | | 18158 | |
| 28 | 858986 | 2 | Sealing ring | | (842744) |
| 29 | 829691 | 1 | Retainer | | |
| 30 | 955270 | 1 | Hexagon screw | | |
| 31 | 941906 | 1 | Spring washer | | |
| 32 | 952077 | 3 | Plug | | (952358) |
| | 952077 | 3 | Plug | | FOR 838532 |
| 33 | 949918 | 1 | Shut-off cock | | |
| 34 | 955335 | 2 | Hexagon screw | | L = 150 MM |
| | 955332 | 1 | Hexagon screw | | L = 120 MM |
| 35 | 941908 | 3 | Spring washer | | |
| 36 | 842965 | 1 | Pipe | 18154 | |
| 37 | 925067 | 2 | O-ring | | |
| | | | | 18154 | |
| 38 | 925068 | 1 | O-ring | | |

7744050-26-18147

7636

Upd:2010-07-01

AD30A, AQAD30A, MD30A, TAMD30A, TMD30A, AD30, AQAD30, MD30, TAMD30, TMD30

VOLVO
PENTA