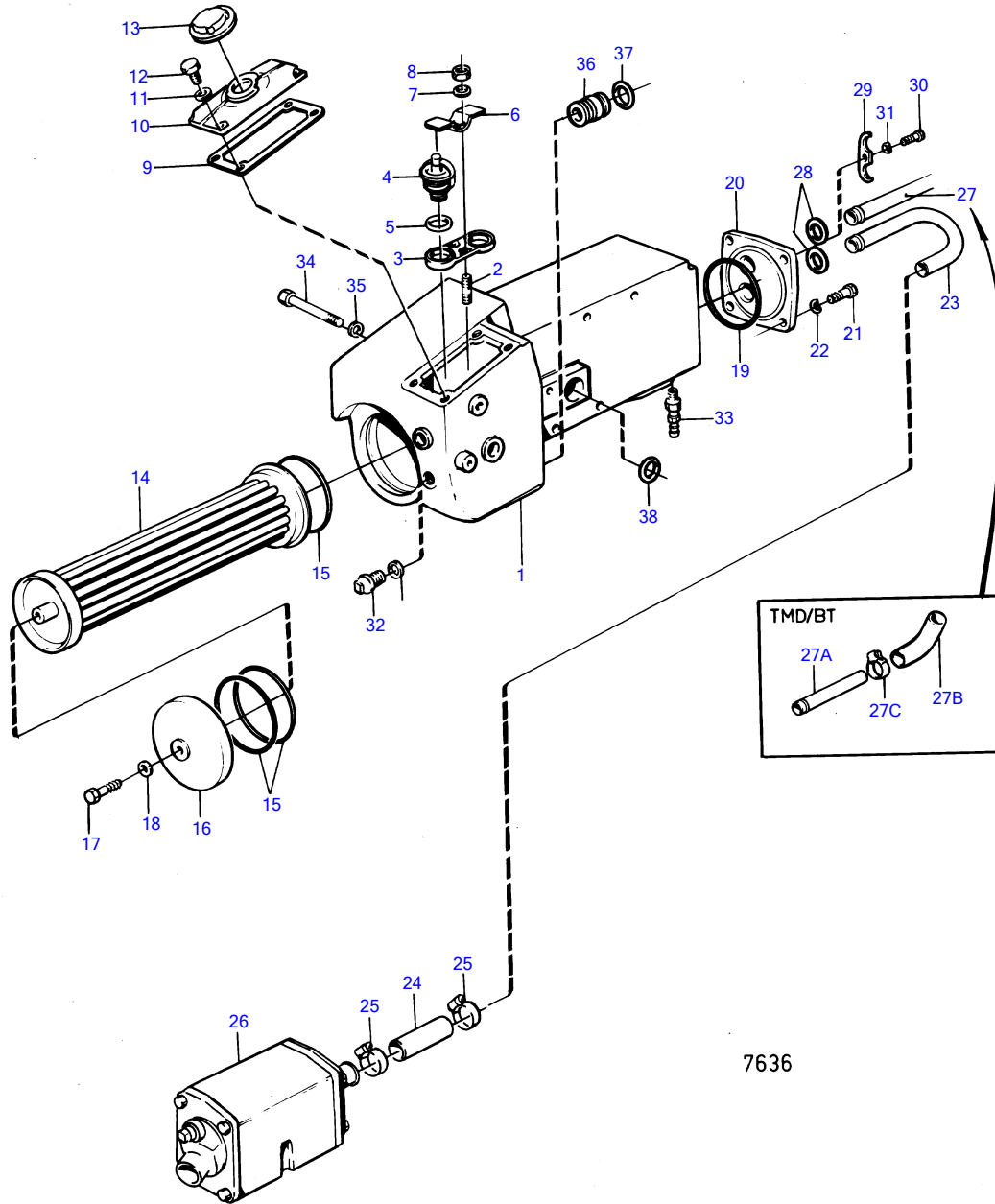


MD30A



A

MD30A

REF	PART NO.	QTY	DESCRIPTION	SEE SEC.	NOTES
1	846773	1	Housing		REPL BY 838532
	838532	1	Housing		POUR INDICATEUR DE TEMP% E1RATURE 840345, MO4690-
2	924060	2	Stud		
3	845285	1	Retainer		
4	875787	2	Thermostat kit		76C
5	416033	2	• Sealing ring		
6	845852	1	Shield		OBSOLETE PART
7	941670	2	Washer		
8	946330	2	Hexagon nut		
9	845291	2	Gasket		LATE TYPE
10	845284	1	Cardboard tube		
11	941907	4	Spring washer		
12	955295	4	Hexagon screw		
13	845879	1	Pressure cap		
14	846056	1	Insert		REPL BY 838909
	838909	1	Insert		MO4730-
					REPL BY 858639
	858639	1	Insert		
			Bulletin 44-06	44-06-EN	Heat Exchanger, After Cooler
15	925258	3	O-ring		
16	845679	1	Cardboard tube		
17	963567	1	Hexagon screw		
18	11992	1	Gasket		
19	925259	1	O-ring		
20	846090	1	Cardboard tube		OBSOLETE PART
21	955296	4	Hexagon screw		
22	941907	4	Spring washer		
23	846046	1	Coolant pipe	18154	
24	944386	X	Rubber hose		L = 90 MM
25	943475	2	Hose clamp		
26	846098	1	Oil cooler		MO-5311
				18151	
	838967	1	Oil cooler		MO5312-
				18151	
27	846770	1	Tube	18154	
				18158	
				18158	
28	858986	2	Sealing ring		(842744)
29	829691	1	Retainer		
30	955270	1	Hexagon screw		
31	941906	1	Spring washer		
32	952077	3	Plug		(952358)
	952077	3	Plug		FOR 838532
33	949918	1	Shut-off cock		
34	955335	2	Hexagon screw		L = 150 MM
	955332	1	Hexagon screw		L = 120 MM
35	941908	3	Spring washer		
36	842965	1	Pipe	18154	
37	925067	2	O-ring		
				18154	
38	925068	1	O-ring		

7744050-26-18147

7636

Upd:2010-07-01

AD30A, AQAD30A, MD30A, TAMD30A, TMD30A, AD30, AQAD30, MD30, TAMD30, TMD30

VOLVO
PENTA