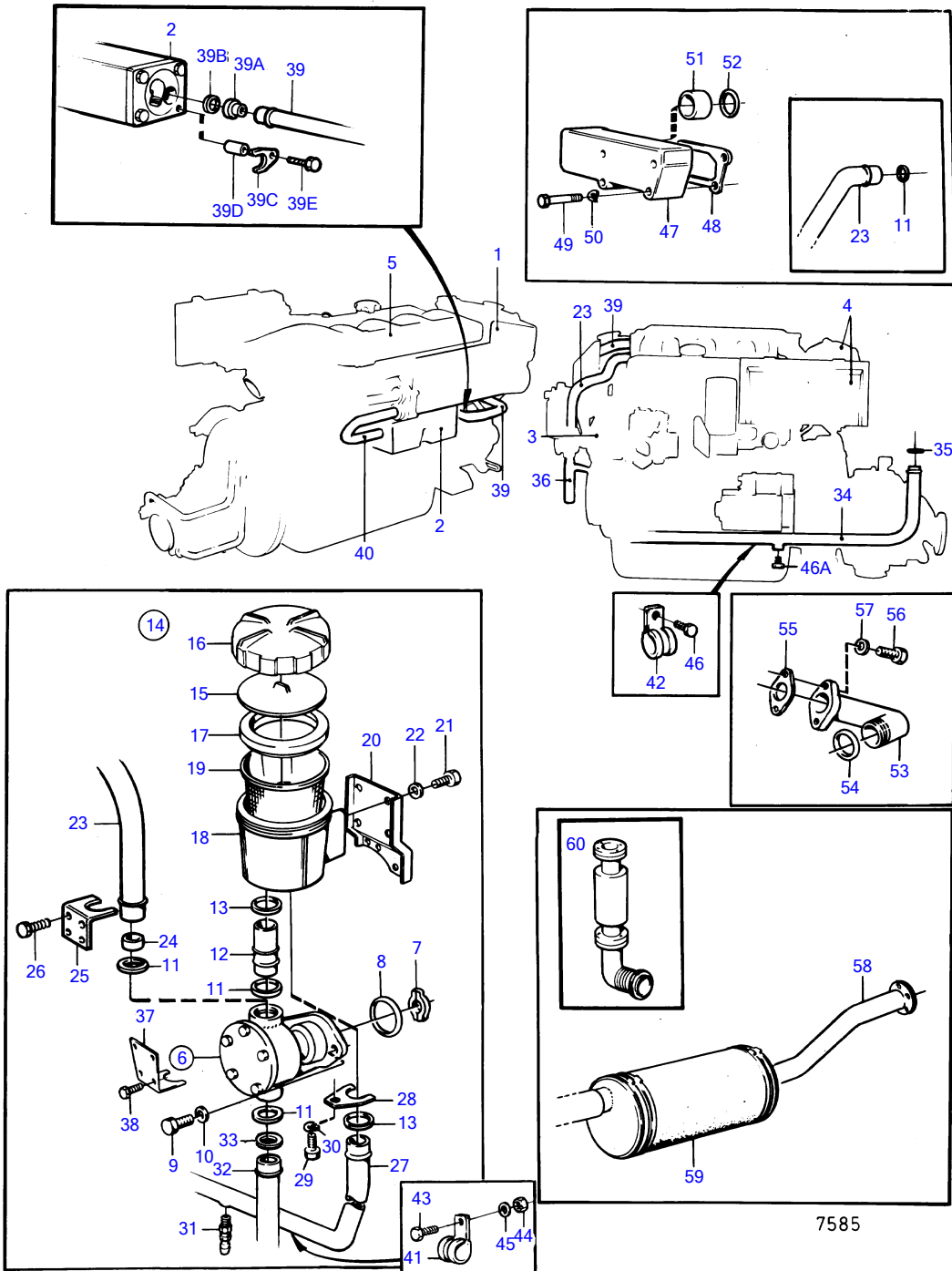


TAMD30A



TAMD30A

REF	PART NO.	QTY	DESCRIPTION	SEE SEC.	NOTES
1		1	AFTER- COOLER AND THERMOSTAT WITH INSTALLATION COMPONENTS	18148	
2		1	OIL COOLER		
3		1	CIRCULATION PUMP WITH INSTALLATION COMPONENTS	18149	
4		1	TURBO AND AIR FILTER WITH INSTALLATION COMPONENTS	18155	
5		1	INDUCTION-AND EXHAUST MANIFOLD WITH INSTALLATION COMPONENTS	18159	
6	842843	1	Sea water pump		
7	829433	1	Dog		
8	947314	1	O-ring		
9	955295	2	Hexagon screw		
10	941907	2	Spring washer		
11	949658	3	O-ring		(925061)
23	838976	1	Coolant pipe		(846053) MO 5312-
24	847108	1	Pipe retainer		MO 5312-
25	847107	1	Lock brace		MO 5312-
26	963545	2	Hexagon screw		MO 5312-
32	847105	1	Pipe		
33	847108	1	Pipe retainer		
36	847105	1	Pipe		
37	847107	1	Lock brace		
38	963545	2	Hexagon screw		
39	838975	1	Coolant pipe		(846054) MO 5312-, OBSOLETE PART
39A	847108	1	Pipe retainer		MO 5312-
39B	949658	1	O-ring		(925061) MO5312-
39C	838970	1	Brace		MO 5312-
39D	807182	1	Spacer sleeve		MO 5312-
39E	955299	1	Hexagon screw		MO 5312-
40	846046	1	Coolant pipe	18148	
41	952634	3	Clamp		
43	955271	2	Hexagon screw		
44	955781	1	Hexagon nut		
45	955892	3	Washer		
46	955269	1	Hexagon screw		
47	842697	1	Riser		
48	1542187	1	Gasket		
49	955305	1	Hexagon screw		L = 75 MM
	955306	3	Hexagon screw		L = 80 MM
50	941907	4	Spring washer		
51	842965	1	Pipe	18159	
52	925067	2	O-ring	18148	
53	842614	1	Tube		
54	925065	1	O-ring		
55	843042	1	Gasket		
				18148	
56	955275	2	Hexagon screw		
57	941906	2	Spring washer		
58		X	WATER COOLED EXHAUST LINE		SEE GROUP 9
59		X	WATER COOLED EXHAUST MUFFLER		SEE GROUP 9
60		X	DRY EXHAUST LINE		SEE GROUP 9