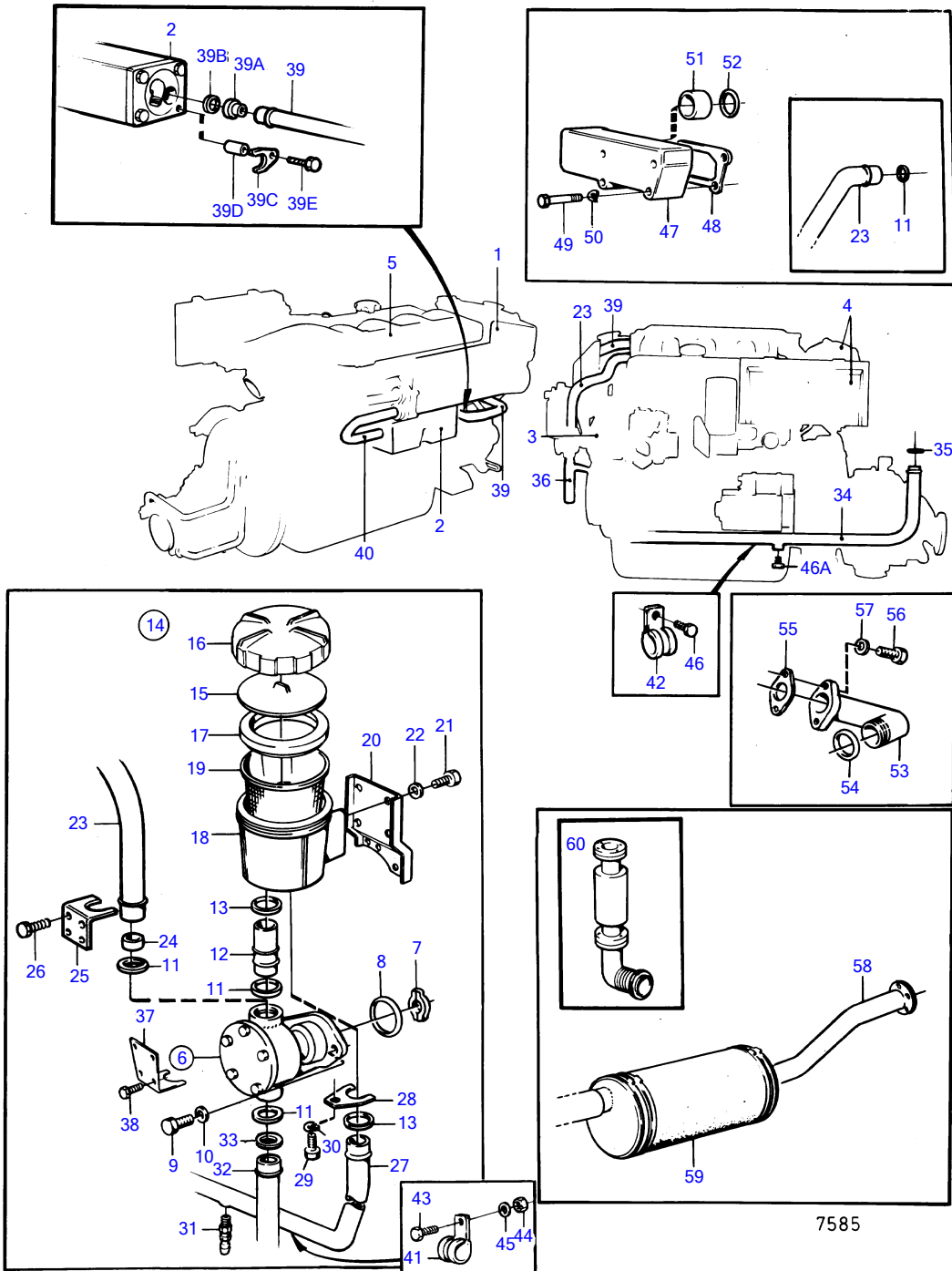


AQAD30A



AQAD30A

| REF | PART NO. | QTY | DESCRIPTION | SEE SEC. | NOTES |
|-----|----------|-----|---|----------------|--------------------------------------|
| 1 | | 1 | AFTER- COOLER AND THERMOSTAT WITH INSTALLATION COMPONENTS | 18148 | |
| 2 | | 1 | OIL COOLER | | |
| 3 | | 1 | CIRCULATION PUMP WITH INSTALLATION COMPONENTS | 18151 18149 | |
| 4 | | 1 | TURBO AND AIR FILTER WITH INSTALLATION COMPONENTS | 18155 | |
| 5 | | 1 | INDUCTION-AND EXHAUST MANIFOLD WITH INSTALLATION COMPONENTS | 18159 | |
| 6 | 842843 | 1 | Sea water pump | 18150 | |
| 7 | 829433 | 1 | Dog | | |
| 8 | 947314 | 1 | O-ring | | |
| 9 | 955295 | 2 | Hexagon screw | | |
| 10 | 941907 | 2 | Spring washer | | |
| 11 | 949658 | 3 | O-ring | | (925061) |
| 12 | 842743 | 1 | Tube | | |
| 13 | 858986 | 2 | Sealing ring | | (842744) |
| 14 | 842924 | 1 | Strainer | | |
| 15 | 842982 | 1 | • Pressure plate | | |
| 16 | 842722 | 1 | • Cover | | |
| 17 | 842724 | 1 | • Sealing | | |
| 18 | | 1 | • HOUSING | | |
| 19 | 842723 | 1 | • Strainer | | |
| 20 | 842742 | 1 | Bracket | | |
| 21 | 955293 | 4 | Hexagon screw | | |
| 22 | 941907 | 4 | Spring washer | | |
| 23 | | | | 18148 | |
| 27 | 846772 | 1 | Tube | 18148 | OBSOLETE PART |
| 28 | 829691 | 1 | Retainer | | |
| 29 | 955270 | 1 | Hexagon screw | | |
| 30 | 941906 | 1 | Spring washer | | |
| 31 | 949918 | 1 | Shut-off cock | | |
| 32 | 846049 | 1 | Coolant pipe | | EXCL AQAD30A/290DP, OBSOLETE PART |
| | 838487 | 1 | Coolant pipe | | AQAD30A/290DP, OBSOLETE PART |
| 34 | 846049 | 1 | Coolant pipe | | EXCL AQAD30A/290DP, OBSOLETE PART |
| | 838487 | 1 | Coolant pipe | | AQAD30A/290DP, OBSOLETE PART |
| 35 | 961670 | 2 | Hose clamp | | SEE GROUP 4A |
| 39 | 838975 | 1 | Coolant pipe | | (846054) MO 5312-, OBSOLETE PART |
| 39A | 847108 | 1 | Pipe retainer | | MO 5312- |
| 39B | 949658 | 1 | O-ring | | (925061) MO5312- |
| 39C | 838970 | 1 | Brace | | MO 5312- |
| 39D | 807182 | 1 | Spacer sleeve | | MO 5312- |
| 39E | 955299 | 1 | Hexagon screw | | MO 5312- |
| 40 | 846046 | 1 | Coolant pipe | 18148 | |
| 41 | 952634 | 3 | Clamp | | |
| 42 | 943717 | 2 | Clamp | | |
| 43 | 955271 | 2 | Hexagon screw | | |
| 44 | 955781 | 1 | Hexagon nut | | |
| 45 | 955892 | 3 | Washer | | |
| 46 | 955269 | 2 | Hexagon screw | | |
| 46A | 192134 | 1 | Plug | | |
| 47 | 842697 | 1 | Riser | | |
| 48 | 1542187 | 1 | Gasket | | |

7744050-26-18146

7585

Upd:2010-07-01

AD30A, AQAD30A, MD30A, TAMD30A, TMD30A, AD30, AQAD30, MD30, TAMD30, TMD30

VOLVO
PENTA

AQAD30A

| REF | PART NO. | QTY | DESCRIPTION | SEE SEC. | NOTES |
|-----|----------|-----|------------------------------|----------|-------------|
| 49 | 955305 | 1 | Hexagon screw | | L = 75 MM |
| | 955306 | 3 | Hexagon screw | | L = 80 MM |
| 50 | 941907 | 4 | Spring washer | | |
| 51 | 842965 | 1 | Pipe | 18159 | |
| 52 | 925067 | 2 | O-ring | 18148 | |
| 53 | 842614 | 1 | Tube | | |
| 54 | 925065 | 1 | O-ring | | |
| 55 | 843042 | 1 | Gasket | | |
| | | | | 18148 | |
| 56 | 955275 | 2 | Hexagon screw | | |
| 57 | 941906 | 2 | Spring washer | | |
| 58 | | X | WATER COOLED EXHAUST LINE | | SEE GROUP 9 |
| 59 | | X | WATER COOLED EXHAUST MUFFLER | | SEE GROUP 9 |
| 60 | | X | DRY EXHAUST LINE | | SEE GROUP 9 |