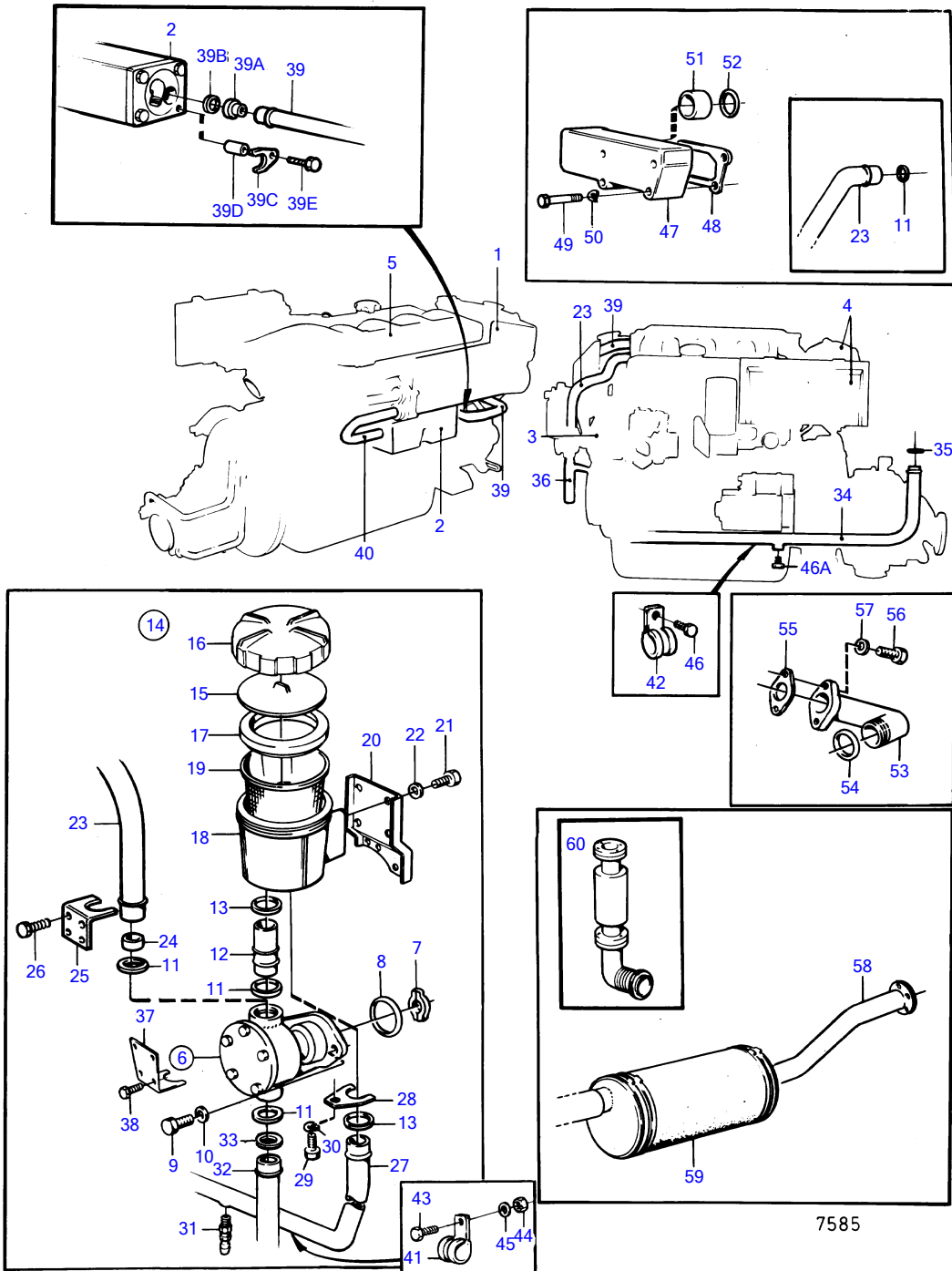


AQAD30A



## AQAD30A

REF	PART NO.	QTY	DESCRIPTION	SEE SEC.	NOTES
1		1	AFTER- COOLER AND THERMOSTAT WITH INSTALLATION COMPONENTS	18148	
2		1	OIL COOLER		
3		1	CIRCULATION PUMP WITH INSTALLATION COMPONENTS	18151 18149	
4		1	TURBO AND AIR FILTER WITH INSTALLATION COMPONENTS	18155	
5		1	INDUCTION-AND EXHAUST MANIFOLD WITH INSTALLATION COMPONENTS	18159	
6	842843	1	Sea water pump	18150	
7	829433	1	Dog		
8	947314	1	O-ring		
9	955295	2	Hexagon screw		
10	941907	2	Spring washer		
11	949658	3	O-ring		(925061)
12	842743	1	Tube		
13	858986	2	Sealing ring		(842744)
14	842924	1	Strainer		
15	842982	1	• Pressure plate		
16	842722	1	• Cover		
17	842724	1	• Sealing		
18		1	• HOUSING		
19	842723	1	• Strainer		
20	842742	1	Bracket		
21	955293	4	Hexagon screw		
22	941907	4	Spring washer		
23				18148	
27	846772	1	Tube	18148	OBSOLETE PART
28	829691	1	Retainer		
29	955270	1	Hexagon screw		
30	941906	1	Spring washer		
31	949918	1	Shut-off cock		
32	846049	1	Coolant pipe		EXCL AQAD30A/290DP, OBSOLETE PART
	838487	1	Coolant pipe		AQAD30A/290DP, OBSOLETE PART
34	846049	1	Coolant pipe		EXCL AQAD30A/290DP, OBSOLETE PART
	838487	1	Coolant pipe		AQAD30A/290DP, OBSOLETE PART
35	961670	2	Hose clamp		SEE GROUP 4A
39	838975	1	Coolant pipe		(846054) MO 5312-, OBSOLETE PART
39A	847108	1	Pipe retainer		MO 5312-
39B	949658	1	O-ring		(925061) MO5312-
39C	838970	1	Brace		MO 5312-
39D	807182	1	Spacer sleeve		MO 5312-
39E	955299	1	Hexagon screw		MO 5312-
40	846046	1	Coolant pipe	18148	
41	952634	3	Clamp		
42	943717	2	Clamp		
43	955271	2	Hexagon screw		
44	955781	1	Hexagon nut		
45	955892	3	Washer		
46	955269	2	Hexagon screw		
46A	192134	1	Plug		
47	842697	1	Riser		
48	1542187	1	Gasket		

7744050-26-18146

7585

Upd:2010-07-01

AD30A, AQAD30A, MD30A, TAMD30A, TMD30A, AD30, AQAD30, MD30, TAMD30, TMD30



AQAD30A

REF	PART NO.	QTY	DESCRIPTION	SEE SEC.	NOTES
49	955305	1	Hexagon screw		L = 75 MM
	955306	3	Hexagon screw		L = 80 MM
50	941907	4	Spring washer		
51	842965	1	Pipe	18159	
52	925067	2	O-ring	18148	
53	842614	1	Tube		
54	925065	1	O-ring		
55	843042	1	Gasket		
				18148	
56	955275	2	Hexagon screw		
57	941906	2	Spring washer		
58		X	WATER COOLED EXHAUST LINE		SEE GROUP 9
59		X	WATER COOLED EXHAUST MUFFLER		SEE GROUP 9
60		X	DRY EXHAUST LINE		SEE GROUP 9