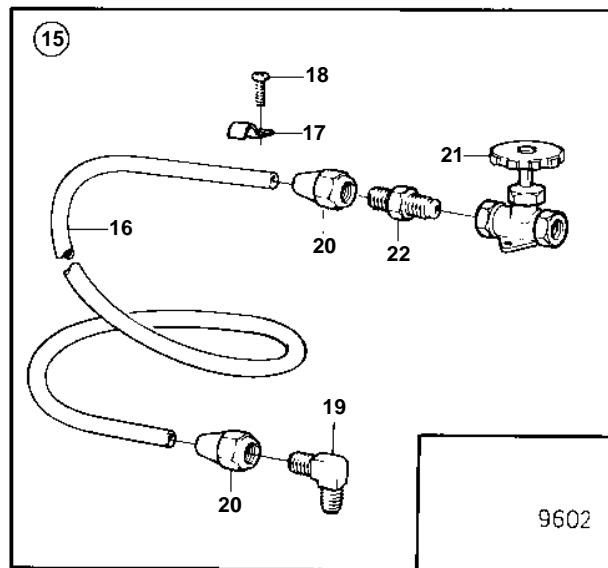
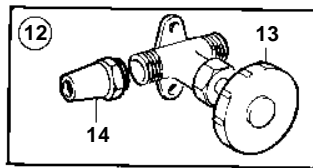
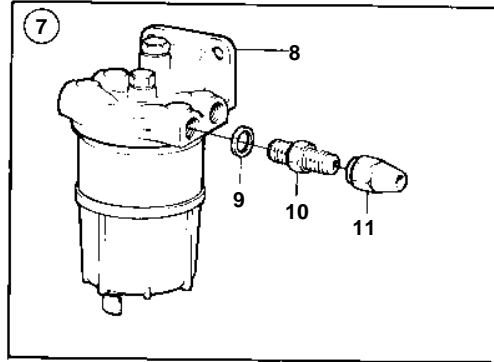
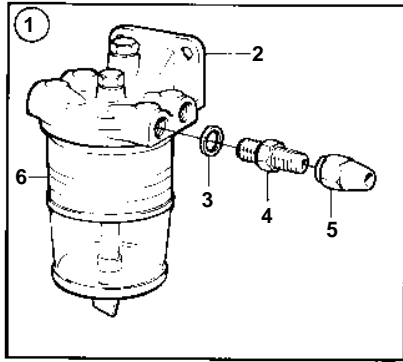


COMMON



9602

COMMON

| REF | PART NO. | QTY | DESCRIPTION | SEE SEC. | NOTES |
|-----|----------|-----|-------------------------------------|----------|---|
| 1 | 845109 | 1 | Fuel filter kit Bulletin 50-03 | 50-03-EN | COMBINED FUEL FILTER/WATER SEPARATOR Extra Fuel/Water Separators, D2010, D22 |
| 2 | 821094 | 1 | • Fuel strainer • Bulletin 50-03 | 50-03-EN | Extra Fuel/Water Separators, D2010, D22 |
| 3 | 18817 | 2 | • Gasket | | |
| 4 | 191397 | 2 | • Nipple | | 5/16" |
| | 941438 | 2 | • Nipple | | 3/8" |
| 5 | 954322 | 2 | • Cap nut | | 5/16" |
| | 954323 | 2 | • Cap nut | | 3/8" |
| 6 | 858201 | 1 | Filter | | |
| 7 | 833972 | 1 | Water separator | | WATER SEPARATOR |
| 8 | 833971 | 1 | • Water separator | | |
| 9 | 957177 | 2 | • Gasket | | (957176) |
| 10 | 191397 | 2 | • Nipple | | 5/16" |
| | 941438 | 2 | • Nipple | | 3/8" |
| 11 | 954322 | 2 | • Cap nut | | 5/16" |
| | 954323 | 2 | • Cap nut | | 3/8" |
| 12 | 838418 | 1 | Fuel valve | | 3/8" |
| 13 | 841523 | 1 | • Tap | | |
| 14 | 954323 | 2 | • Cap nut | | |
| 15 | 827912 | 1 | Fuel line | | 5/16" |
| 16 | 943847 | X | • Tube | | 5/16",L=5000MM |
| 17 | 951189 | 15 | • Clamp | | |
| 18 | 955139 | 15 | • Screw | | |
| 19 | 954343 | 1 | • Elbow nipple | | |
| 20 | 954322 | 3 | • Cap nut | | |
| 21 | 824599 | 1 | • Tap | | |
| 22 | 954336 | 2 | • Nipple | | |