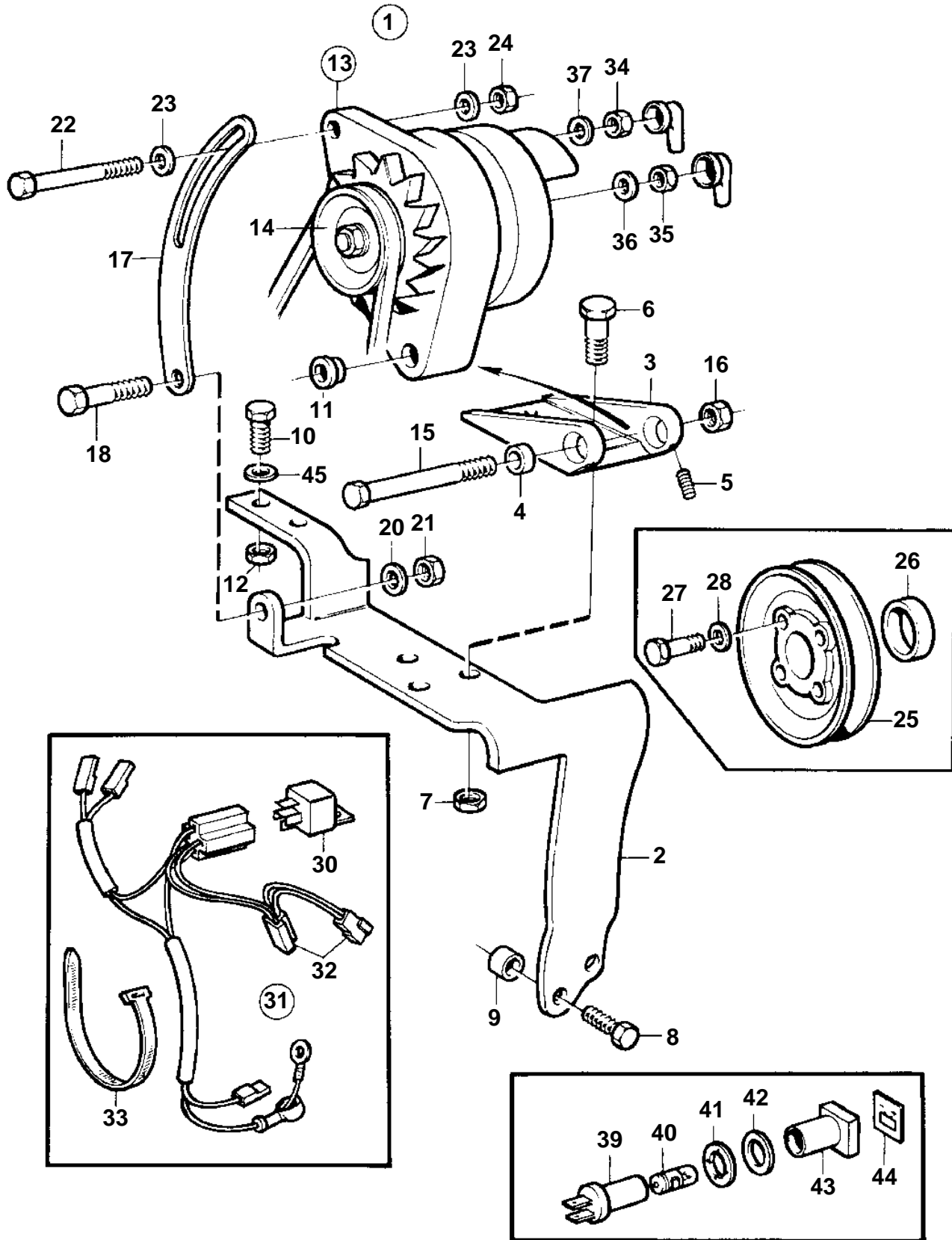


COMMON



COMMON

REF	PART NO.	QTY	DESCRIPTION	NOTES
1	828944	1	Alternator kit	FOR 12 VOLTAGE ELECTRIC SYSTEM.
2	858539	1	• Bracket	
3	859272	1	• Bracket	
4	859273	2	• • Rubber bushing	
5	967323	2	• • Set screw	
6	960142	3	• Washer	
7	963106	3	• Nut	
8	970948	2	• Screw	(955318)
9	911262	1	• Spacer	
10	858753	2	• Screw	
11	859274	2	• Washer	
12	971089	2	• Lock nut	(963107)
13	858838	1	• Alternator	14V 50A , EARLY TYPE. FOR 12 VOLTAGE ELECTRIC SYSTEM.
	872018	1	• Alternator	14V 50A , LATE TYPE. FOR 12 VOLTAGE ELECTRIC SYSTEM.
			• COMPS	SEE GROUP 3
14	841811	1	• Pulley	
15	955703	1	• Screw	
16	963106	1	• Nut	
17	840044	1	• Tensioner	
18	940142	1	• Screw	
19	955298	1	• Screw	
20	941907	1	• Spring washer	
21	955782	1	• Nut	
22	955298	1	• Screw	
23	960141	2	• Washer	
24	963106	1	• Nut	
25	840794	1	• Pulley, CRANKSHAFT	
26	858048	1	• Ring	
27	955300	4	• Screw	
28	941907	4	• Spring washer	
29	966696	1	• V-belt	
30	853545	1	• Relay kit	
31	838542	1	• Cable trunk	
32		X	• • CABLES AND TERMINALS	SEE GROUP 3
33	948210	X	• Strip clamp	
34	955781	1	• Nut	
35	955780	1	• Nut	
36	941905	1	• Spring washer	
37	941906	1	• Spring washer	
38	842150	2	• Protective cap	
39	808175	1	• Bulb socket	
40	19923	1	• Bulb	
41	967583	1	• Retainer	
42	829714	1	• Seal	
43	838455	1	• Retainer	
44	838457	1	• Symbol strip	
45	960148	2	Washer	