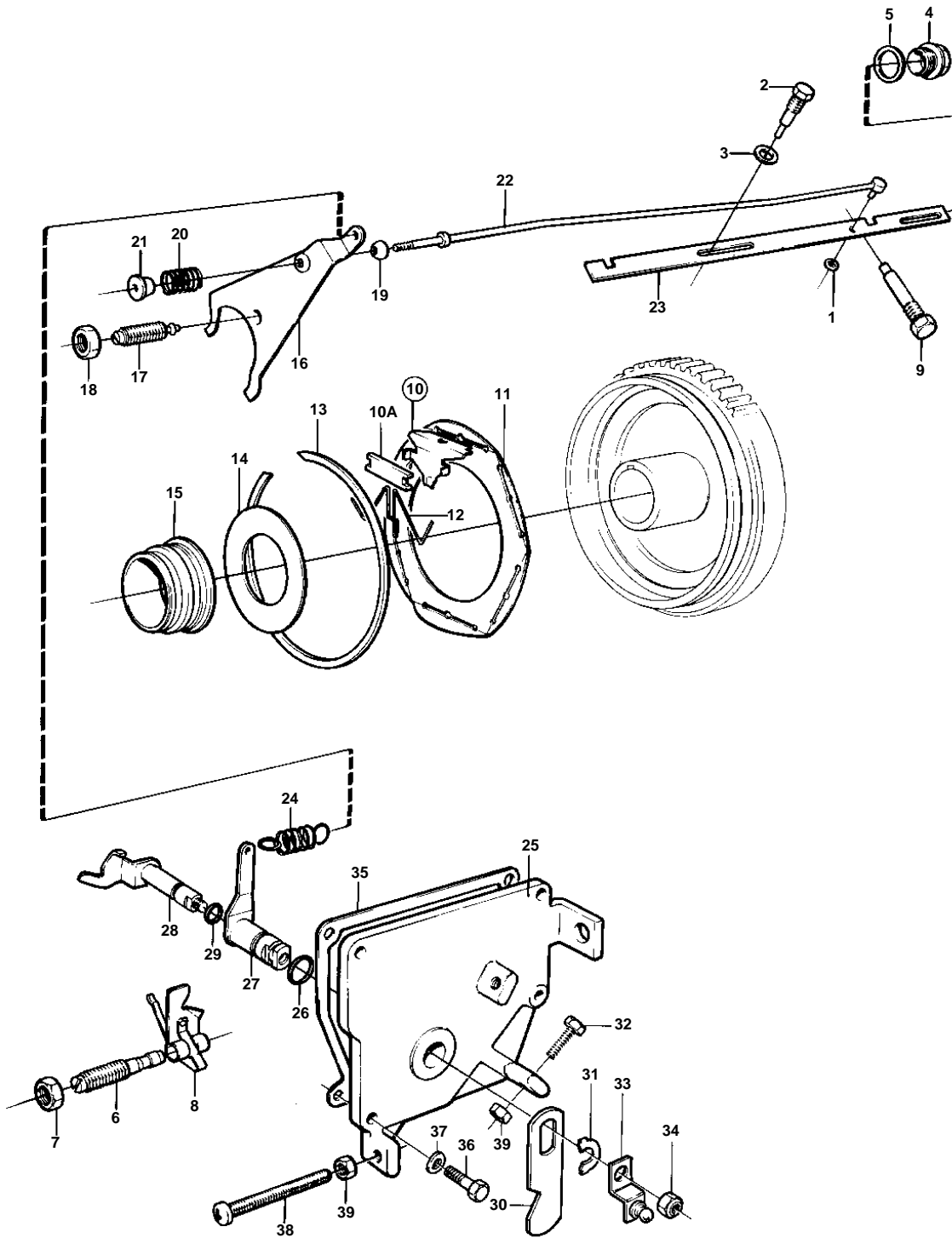


2002AG,2002BG,2003AG,2003BG



10461

2002AG,2002BG,2003AG,2003BG

REF	PART NO.	QTY	DESCRIPTION	NOTES
1	951665	1	Retaining ring	
2	840489	2	Screw	
3	947620	2	Gasket	
4	840652	1	Plug	
5	18813	1	Gasket	
6	840653	1	Shaft	
7	963917	1	Nut	
8	840482	1	Latch	
9	840312	2	Screw	2002AG,2002BG
	840312	3	Screw	2003AG,2003BG
10	876056	1	Weight kit	3000RPM
10A		6	· WEIGHT	
11		1	· HOLDER	
12		3	· LOCKING WIRE	
13	943760	1	Snap ring	
14	840433	1	Thrust washer	
15	858272	1	Sliding sleeve	
16	840659	1	Control arm	
17	840660	1	Adjuster screw	
18	963917	1	Nut	
19	840661	1	Ball	
20	840451	1	Spring	
21	840470	1	Nipple	
22	840599	1	Link rod	
23	840551	1	Control rod	2002AG,2002BG
	840582	1	Control rod	2003AG,2003BG
24	858623	1	Regulator spring	
25	840435	1	Cover	
26	955974	1	O-ring	
27	840436	1	Lever	
28	840663	1	Stop arm	
29	955979	1	O-ring	
30	858270	1	Lever	
31	840812	1	Snap ring	
32	955274	1	Screw	L = 25 MM
33	858265	1	Stop arm	
34	963105	1	Nut	
35	859053	1	Gasket	IK
36	955272	1	Screw	L = 20 MM
37	949607	1	Spring washer	
38	956104	1	Screw	L = 60 MM
39	955781	2	Nut	