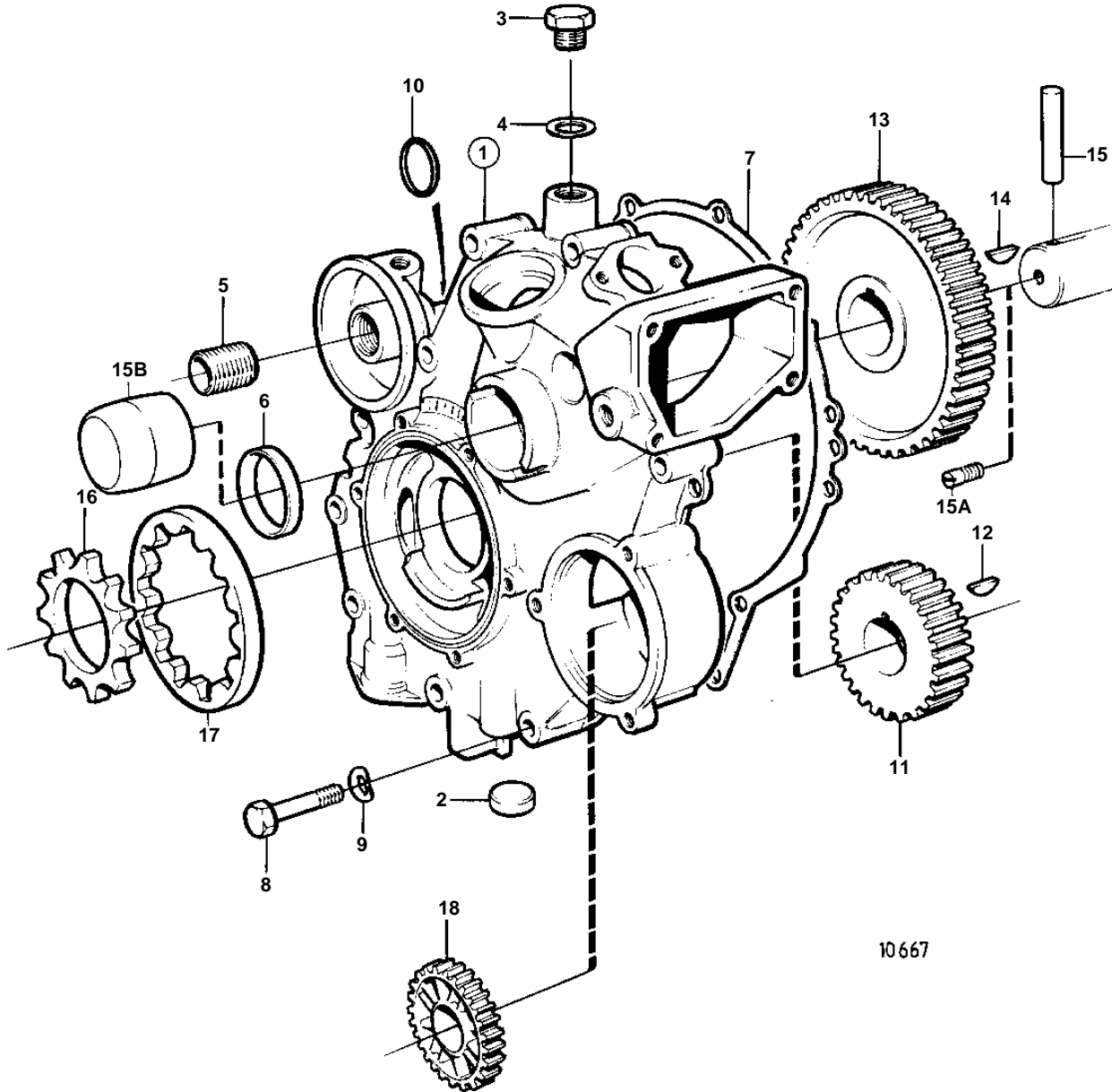


2002,2002B,2002D,2002AG,2002BG



10667

2002,2002B,2002D,2002AG,2002BG

REF	PART NO.	QTY	DESCRIPTION	SEE SEC.	NOTES
1	860199	1	Timing gear casing, TIMING GEAR COVER		REPL BY 860546
				02A-8230	
2	946779	1	· Cap plug		
3	960632	1	· Plug		
4	957181	1	· Gasket	IK	
5	840274	1	· Nipple		*
6	840446	1	Sealing ring	IK	
7	859048	1	Gasket	IK	
8	955301	8	Screw		L = 55 MM
	955301	5	Screw		L = 55 MM. FOR ENGINES WITH CIRCULATION PUMP.
	955305	3	Screw		L = 75 MM. FOR ENGINES WITH CIRCULATION PUMP.
9	941907	8	Spring washer		
10	943177	1	O-ring	IK	
11	840350	1	Gear		*. CRANKSHAFT GEAR
12	910118	1	Woodruff key		*
13	858269	1	Gear		*. CAMSHAFT GEAR
14	910118	1	Woodruff key		*
15	859385	1	Pin		FOR STARTING CRANK.. FOR CAM SHAFT 859383 TOGETHER WITH STOP SCREW 859386. MISCELLANEOUS EQUIPMENT.
15A	859386	1	Set screw		FOR 859385
15B	859110	1	Plug		FOR ENGINES WITHOUT STARTING CRANK.
16	840552	1	Gear		*
17	840553	1	Gear		*
18	858526	1	Gear, SEA WATER PUMP		SEE GROUP 2B