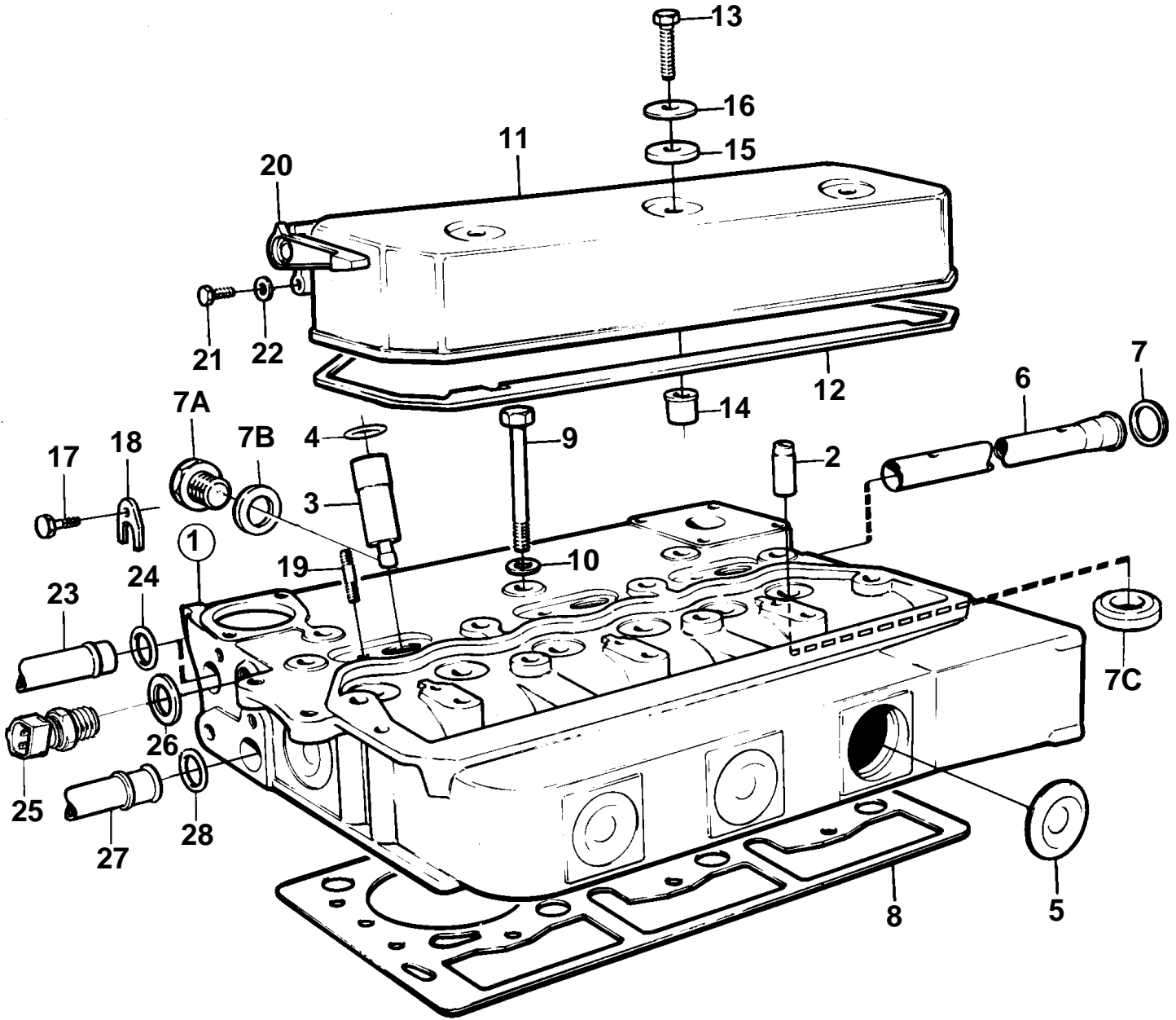


2003,2003AG,2003B,2003BG



10287

**CYL. HEAD, REPL. EXHAUST VALVE SEATS FRESHWATER-COOLED ENGINE**

**02A**

2003,2003AG,2003B,2003BG

REF	PART NO.	QTY	DESCRIPTION	NOTES
1	860082	1	Cylinder head	ALSO AVAILABLE AS AN EXCHANGE PART CONSISTING OF CYLINDER HEAD,INTAKE AND EXHAUST VALVES,VALVE SPRINGS,WASHERS AND LOCKS.
	3803162	1	Cylinder head, exch	Exchange unit
2	840281	6	· Valve guide	
3	860267	3	· Spray sleeve	
4	945221	3	· O-ring	IK
5	477024	7	· Expansion plug	(192211)
6	840460	1	· Distribution pipe	
7	418445	1	· Sealing ring	IK
7A	966147	2	· Plug	
7B	947630	2	· Gasket	
7C	858461	3	· Valve seat	
8	859093	1	Gasket	
9	970888	14	Screw	(963255)
10	840210	14	Washer	
11	840339	1	Valve cover	REPL BY 861063
	861063	1	Valve cover	VALVE COVER KIT 861063 CONSISTS OF 1EA VALVE COVER 840339,1EA LEVER 840590,1EA SCREW 940102,1EA O-RING 955976 AND 1EA WASHER 960138.THE KIT IS ALSO INTENDED FOR LATER VERSION WHERE HOLE FOR DECOMPRESSION SHAFT IS MISSING
12	859044	1	Gasket	
13	940142	3	Screw	
14	840441	3	Spacer sleeve	
15	840442	3	Rubber seal	
16	840900	3	Washer	
17	955269	2	Screw	
18	840740	2	Clamp	
19	924066	3	Stud	SEE GROUP 2C
20	840590	1	Lever	INCLUDED IN VALVE COVER KIT 861063 BUT HAS BEEN REMOVED AS STANDARD FROM SN2300059085-
21	940102	1	Screw	INCLUDED IN VALVE COVER KIT 861063 BUT HAS BEEN REMOVED AS STANDARD FROM SN2300059085-
22	960138	1	Washer	INCLUDED IN VALVE COVER KIT 861063 BUT HAS BEEN REMOVED AS STANDARD FROM SN2300059085-
23	840739	1	Coolant pipe	CYLINDER HEAD-CIRCULATION PUMP.BY PASS.
24	418411	1	Sealing ring	
25	858229	1	Thermo monitor	
	840345	1	Temperature sensor	DE LUXE. FOR ENGINES WITH PRODUCT NO.868222,868408 AND 868623.
26	947624	1	Gasket	
27	840737	1	Coolant pipe	CIRCULATION PUMP-CYLINDER HEAD
28	418445	1	Sealing ring	