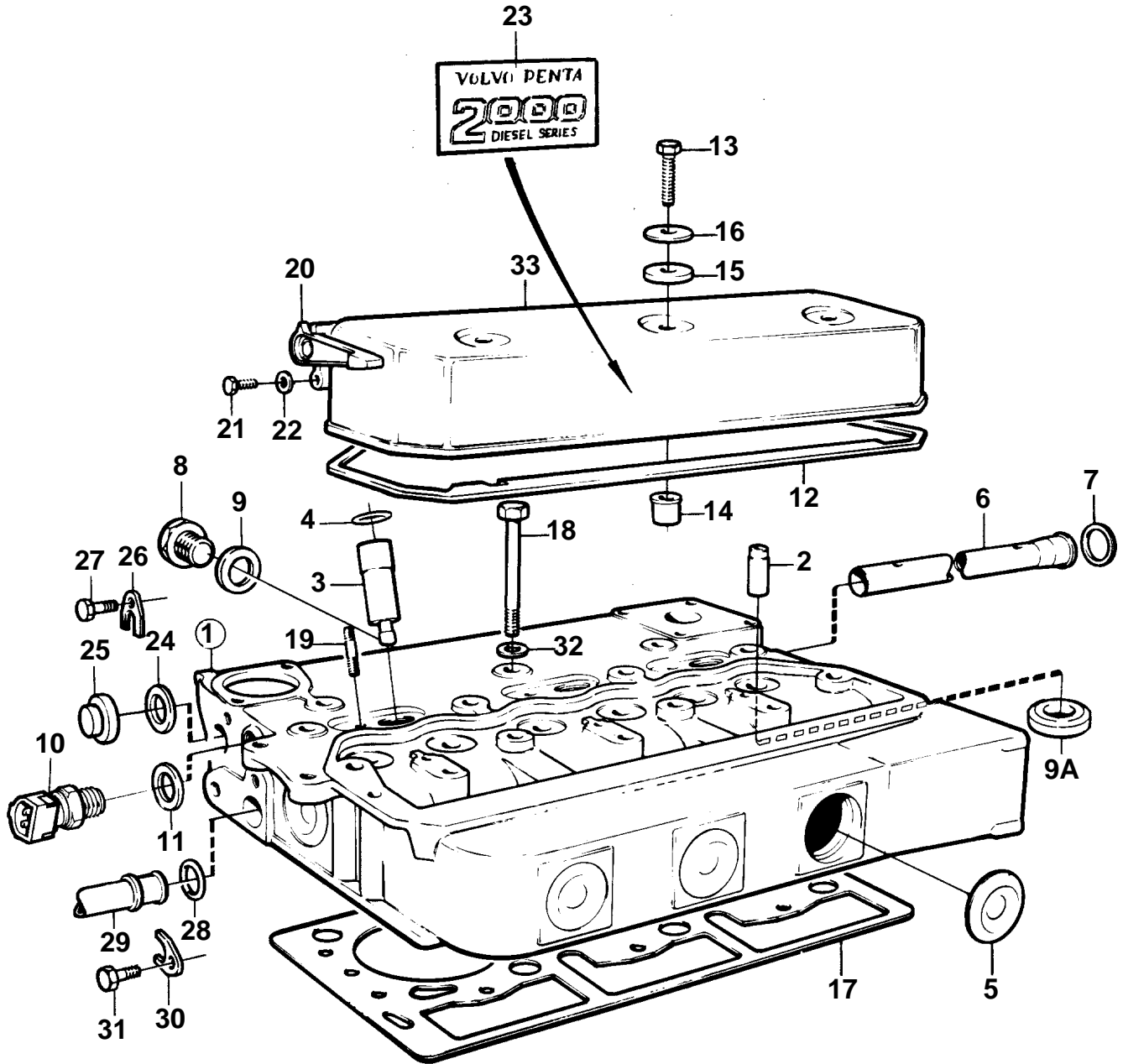


2003(868233)



10265

2003(868233)

REF	PART NO.	QTY	DESCRIPTION		NOTES
1	860349	1	Cylinder head		
2	840281	6	· Valve guide		
3	860267	3	· Spray sleeve		
4	945221	3	· O-ring	IK	
5	477024	7	· Expansion plug		(192211)
6	840460	1	· Distribution pipe		
7	418445	1	· Sealing ring	IK	
8	966147	2	· Plug		
9	947630	2	· Gasket		
9A	858461	3	· Valve seat		
10	858229	1	Thermo monitor		SEE GROUP 3
11	947624	1	Gasket		
12	859044	1	Gasket	IK	
13	940142	3	Screw		
14	840441	3	Spacer sleeve		
15	840442	3	Rubber seal		
16	840900	3	Washer		
17	859093	1	Gasket		
18	970888	14	Screw		
19	924066	3	Stud		
20	840590	1	Lever		
21	940102	1	Screw		
22	960138	1	Washer		
23	840831	1	Decal		
24	418411	1	Sealing ring		
25	840677	1	Plug		
26	840740	1	Clamp		
27	955269	1	Screw		
28	418445	1	Sealing ring		
29	840732	1	Hose connection		SEE GROUP 2B
30	840740	1	Clamp		
31	955269	1	Screw		
32	840210	14	Washer		
33	840339	1	Valve cover		REPL BY 861063