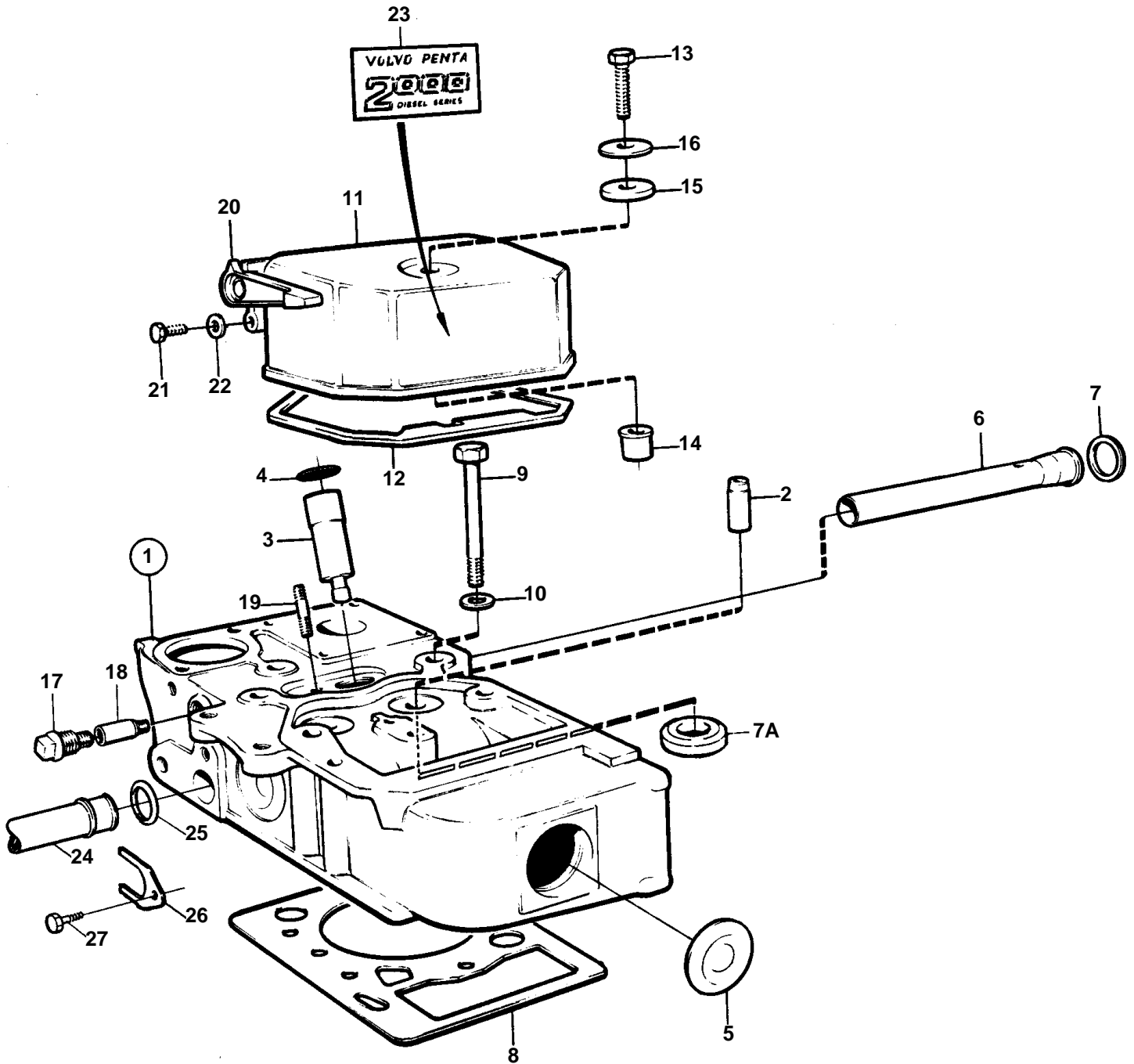


2001(868231)



10207

2001(868231)

REF	PART NO.	QTY	DESCRIPTION		NOTES
1	860345	1	Cylinder head		
2	840281	2	· Valve guide		
3	860267	1	· Spray sleeve		
4	945221	1	· O-ring	IK	
5	477024	4	· Expansion plug		
6	840842	1	· Distribution pipe		
7	418445	1	· Sealing ring	IK	
7A	858461	1	· Valve seat		
8	840569	1	Gasket	IK	
9	970888	6	Screw		
10	840210	6	Washer		
11	840681	1	Valve cover		REPL BY 861061
12	859042	1	Gasket	IK	
13	940142	1	Screw		
14	840441	1	Spacer sleeve		
15	840442	1	Rubber seal		
16	840900	1	Washer		
17	838928	1	Plug		
18	838929	1	Zinc anod		
19	924066	1	Stud		SEE GROUP 2C
20	840590	1	Lever		
21	940102	1	Screw		
22	960138	1	Washer		
23	840831	1	Decal		
24	840732	1	Hose connection		SEE GROUP 2B
25	418445	1	Sealing ring		
26	840740	1	Clamp		
27	955269	1	Screw		