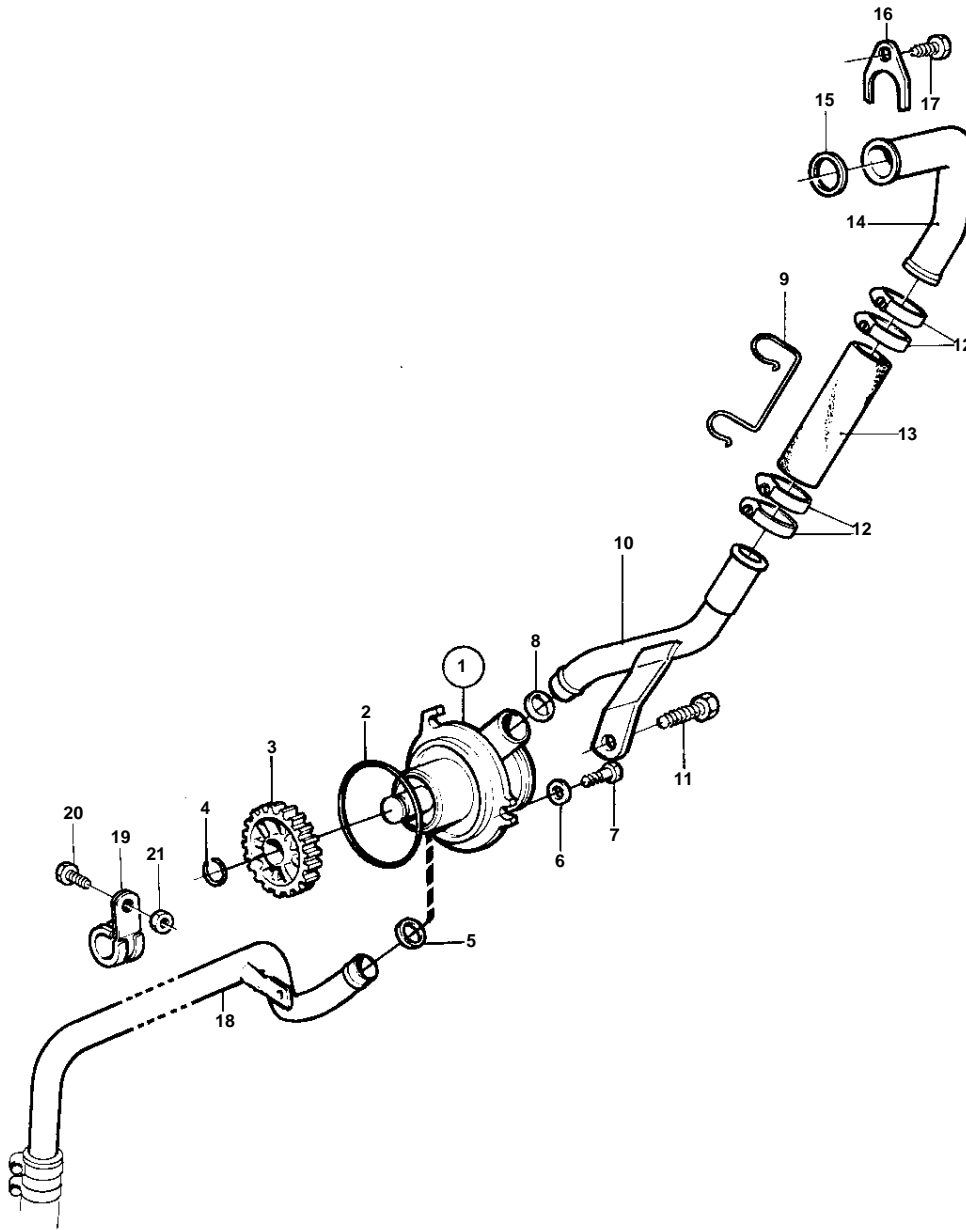


2001,2001B,2001AG,2001BG,2002,2002B,2002D,2002AG,2002BG,2003,2003B,D



11019

**SEA WATER PUMP WITH INSTALL. COMPS. SEAWATER-COOLED
ENGINE: 861009**

02B

2001,2001B,2001AG,2001BG,2002,2002B,2002D,2002AG,2002BG,2003,2003B,D

REF	PART NO.	QTY	DESCRIPTION	SEE SEC.	NOTES
1	861009	1	Water pump		2003D
				02B-0675	
2	925093	1	O-ring		
3	858526	1	Gear		
4	914446	1	Lock ring		
5	829714	1	Seal		
6	955894	1	Washer		
7	955295	1	Screw		L = 20 MM
	955303	1	Screw		L = 65 MM
8	829714	1	Seal		
10	840721	1	Coolant pipe		
11	955303	1	Screw		L = 65 MM
12	961665	4	Hose clamp		
13	952969	X	Rubber hose		
14	840732	1	Hose connection		SEE GROUP 2A
15	418445	1	Sealing ring		
16	840740	1	Clamp		
17	955269	1	Screw		L = 12 MM
18	840749	1	Tube, COOLING WATER PIPE		2002,2002B,2002D. REVERSE GEAR-SEA WATER PUMP 2002AG,2002BG, 2003,2003B,2003D SEE GROUP 4A
19	952627	1	Clamp		
20	955269	1	Screw		FOR 840802,840749
21	955781	1	Nut		