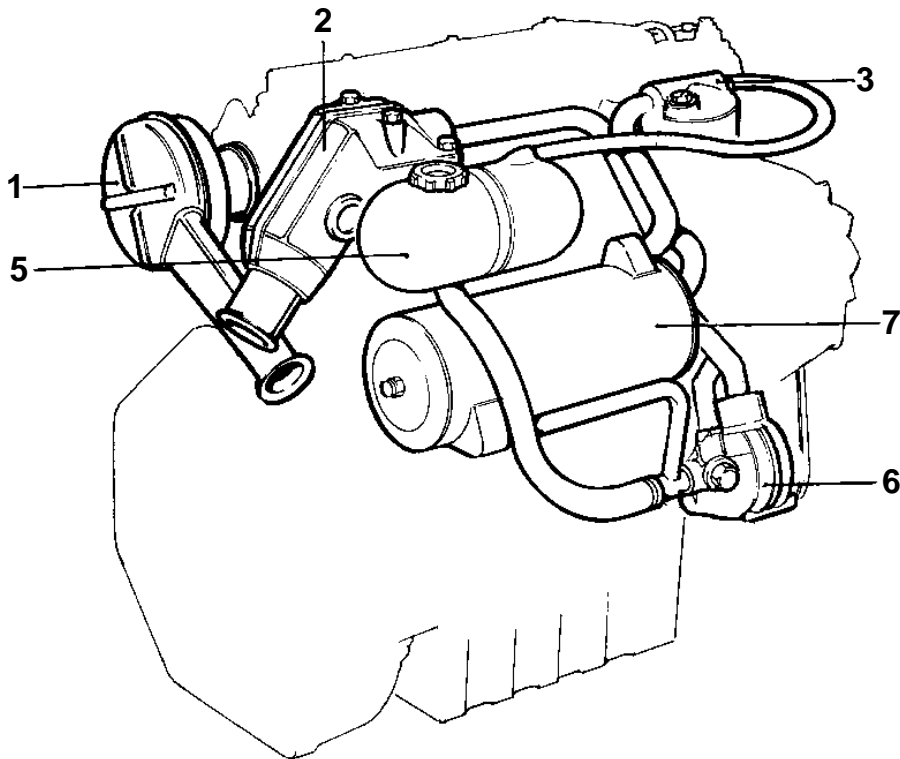
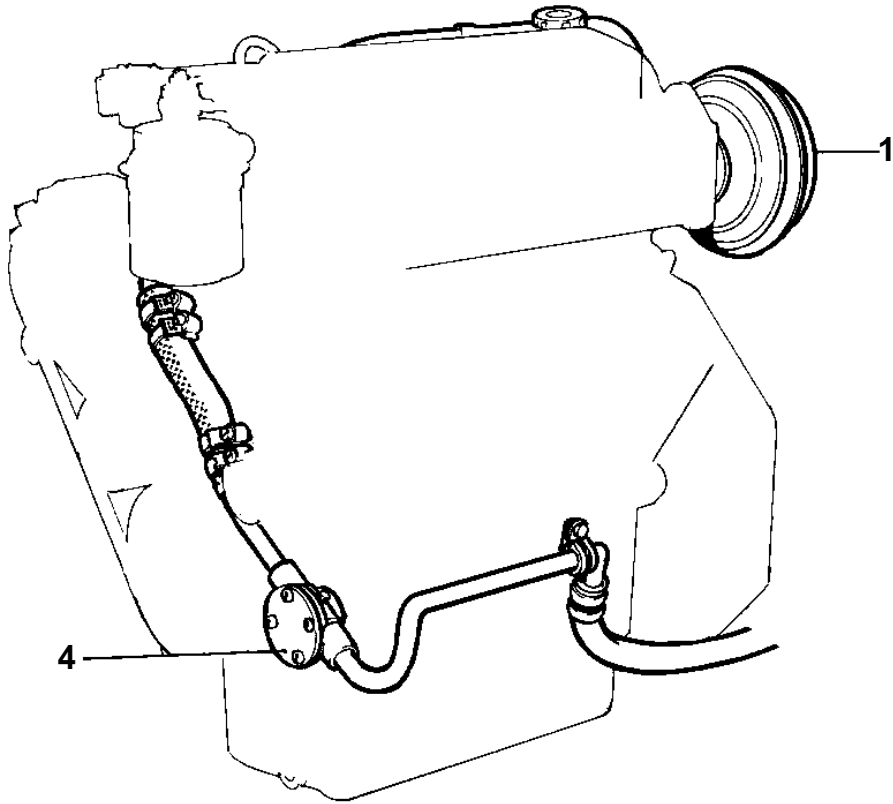


2003B,2003BG



10542

**COOLING SYSTEM, INDUCT. AND EXHAUST MANIFOLD.
FRESHWATER-COOLED ENGINE: PR NO: 868407,-408,-409,-622,-623.**

02B

2003B,2003BG

REF	QTY	DESCRIPTION	SEE SEC.
1	1	AIR FILTER WITH INSTALLATION COMPONENTS	02B-0220
2	1	EXHAUST BEND WITH INSTALLATION COMPONENTS	02B-0220
3	1	THERMOSTAT HOUSING WITH INSTALLATION COMPONENTS	02B-0220
4	1	SEA WATER PUMP WITH INSTALLATION COMPONENTS	02B-0530
5	1	EXPANSION TANK WITH INSTALLATION COMPONENTS	02B-0695
6	1	CIRCULATION PUMP WITH INSTALLATION COMPONENTS	02B-0760
7	1	HEAT EXCHANGER WITH INSTALLATION COMPONENTS	02B-0785