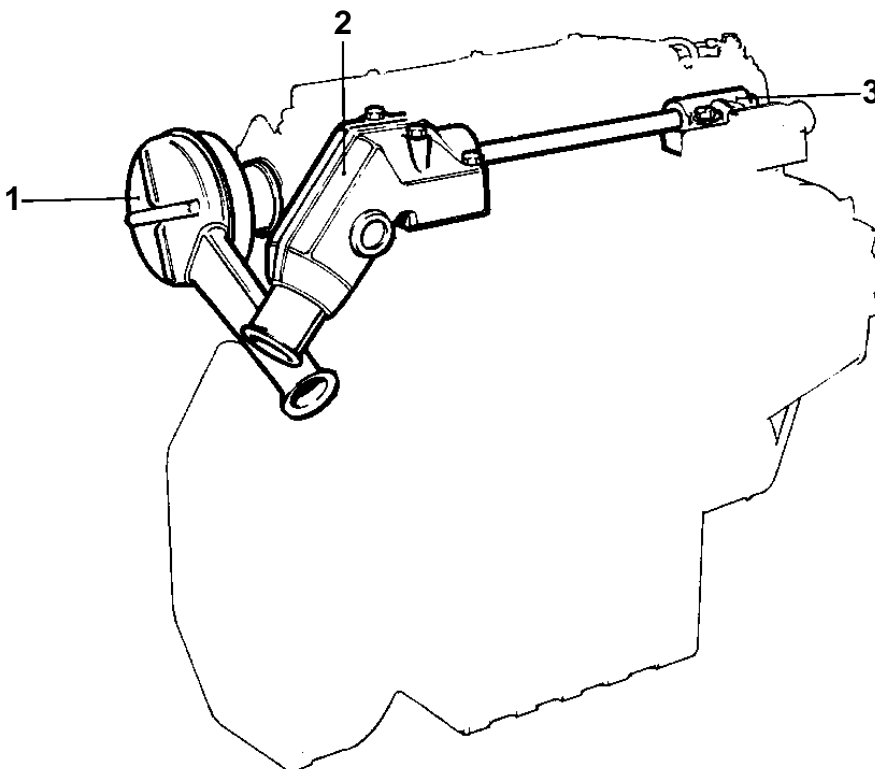
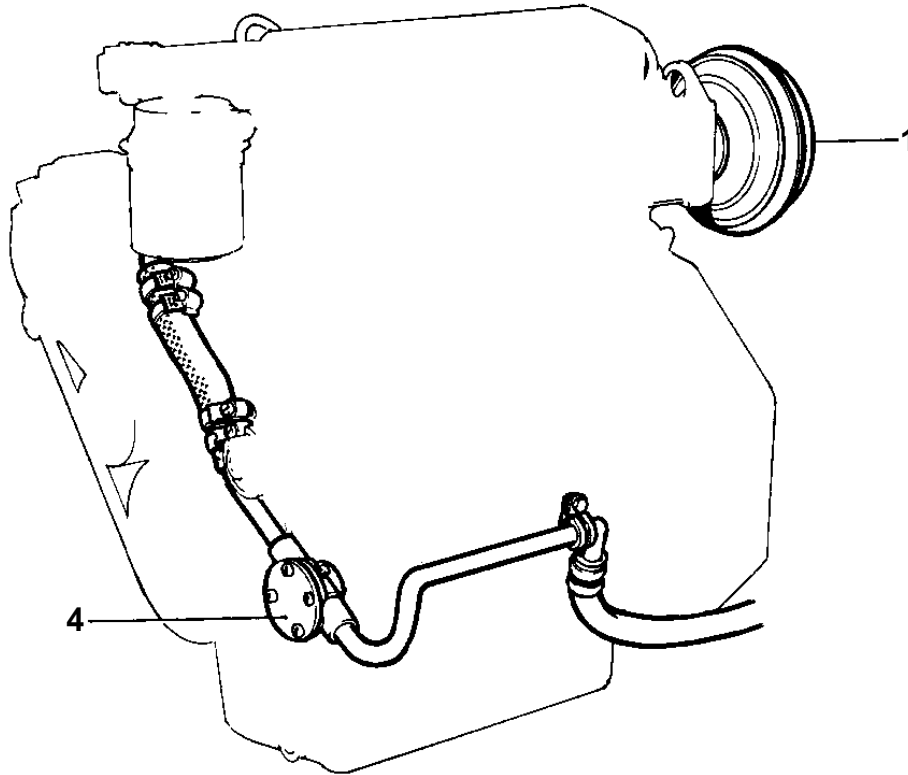


**02B**

**COOLING SYSTEM, INDUCT. AND EXHAUST MANIFOLD.  
SEAWATER-COOLED ENGINE: 2003B PR NO: 868405,-406,-477,-483,-620,  
-621. 2003D PR NO:**

2003B,2003D



**COOLING SYSTEM, INDUCT. AND EXHAUST MANIFOLD.  
 SEAWATER-COOLED ENGINE: 2003B PR NO: 868405,-406,-477,-483,-620,  
 -621. 2003D PR NO:**

**02B**

2003B,2003D

REF	QTY	DESCRIPTION	SEE SEC.
1	1	AIR FILTER WITH INSTALLATION COMPONENTS	02B-0200
2	1	EXHAUST BEND WITH INSTALLATION COMPONENTS	02B-0200
3	1	THERMOSTAT HOUSING WITH INSTALLATION COMPONENTS	02B-0200
4	1	SEA WATER PUMP WITH INSTALLATION COMPONENTS	02B-0525