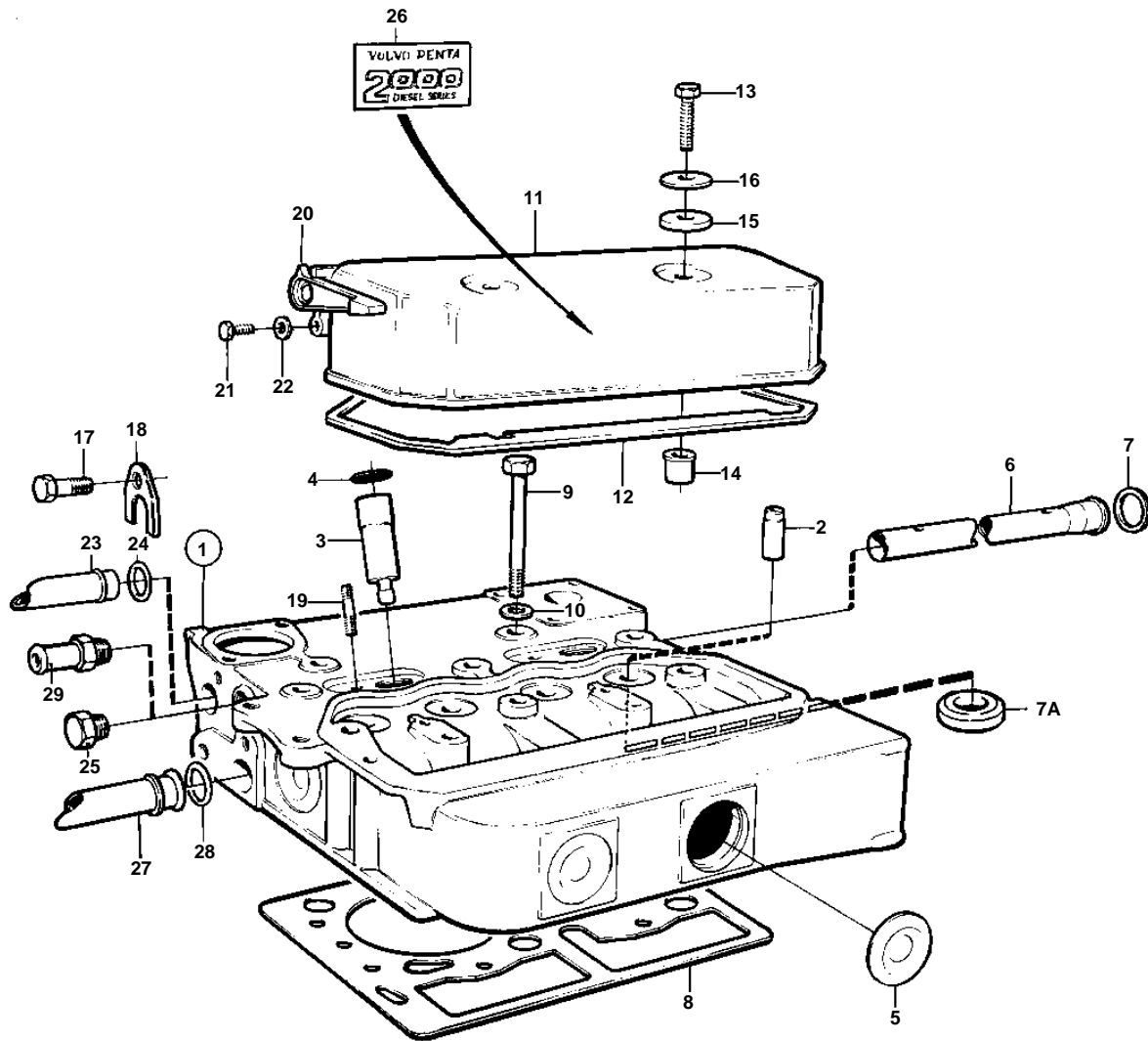


2002, 2002B, 2002AG, 2002BG



10453

2002, 2002B, 2002AG, 2002BG

| REF | PART NO. | QTY | DESCRIPTION | NOTES |
|-----|----------|-----|---------------------------|--|
| 1 | 860079 | 1 | Cylinder head | ALSO AVAILABLE AS AN EXCHANGE PART CONSISTING OF CYLINDER HEAD,INTAKE AND EXHAUST VALVES,VALVE SPRINGS,WASHERS AND LOCKS. |
| | 3803161 | 1 | Cylinder head, exch, exch | ALSO AVAILABLE AS AN EXCHANGE PART CONSISTING OF CYLINDER HEAD,INTAKE AND EXHAUST VALVES,VALVE SPRINGS,WASHERS AND LOCKS. |
| 2 | 840281 | 4 | • Valve guide | |
| 3 | 860267 | 2 | • Spray sleeve | |
| 4 | 945221 | 2 | • O-ring | |
| 5 | 477024 | 6 | • Expansion plug | (192211) |
| 6 | 840420 | 1 | • Distribution pipe | |
| 7 | 418445 | 1 | • Sealing ring | |
| 7A | 858461 | 2 | • Valve seat | |
| 8 | 859094 | 1 | Cylinder head gasket | |
| 9 | 970888 | 10 | Hexagon screw | |
| 10 | 840210 | 10 | Washer | |
| 11 | 861062 | 1 | Valve cover | VALVE COVER KIT 861062 CONSISTS OF 1EA VALVE COVER 840329,1EA LEVER 840590,1EA SCREW 940102,1EA O-RING 955976 AND 1EA WASHER 960138.THE KIT IS ALSO INTENDED FOR LATER VERSION WHERE HOLE FOR DECOMPRESSION SHAFT IS MISSING |
| | 840329 | 1 | Valve cover | |
| 12 | 859043 | 1 | Gasket | |
| 13 | 940142 | 2 | Hexagon screw | |
| 14 | 840441 | 2 | Spacer sleeve | |
| 15 | 840442 | 2 | Rubber bushing | |
| 16 | 840900 | 2 | Washer | |
| 17 | 955269 | 2 | Hexagon screw | |
| 18 | 840740 | 2 | Clamp | |
| 19 | 980336 | 2 | Stud | |
| 20 | 840590 | 1 | Intermediate lever | INCLUDED IN VALVE COVER KIT 861062 BUT HAS BEEN REMOVED AS STANDARD FROM SN2300059085- |
| 21 | 940102 | 1 | Hexagon screw | INCLUDED IN VALVE COVER KIT 861062 BUT HAS BEEN REMOVED AS STANDARD FROM SN2300059085- |
| 22 | 960138 | 1 | Washer | INCLUDED IN VALVE COVER KIT 861062 BUT HAS BEEN REMOVED AS STANDARD FROM SN2300059085- |
| 23 | 840739 | 1 | Tube | CYLINDER HEAD-CIRCULATION PUMP.BY PASS. |
| 24 | 418411 | 1 | Sealing ring | |
| 25 | 479956 | 1 | Plug | |
| 26 | | 1 | Decal | |
| 27 | 840737 | 1 | Coolant pipe | CIRCULATION PUMP-CYLINDER HEAD |
| 28 | 418445 | 1 | Sealing ring | |
| 29 | 479978 | 1 | Nipple, HEATHER OUTLET | |