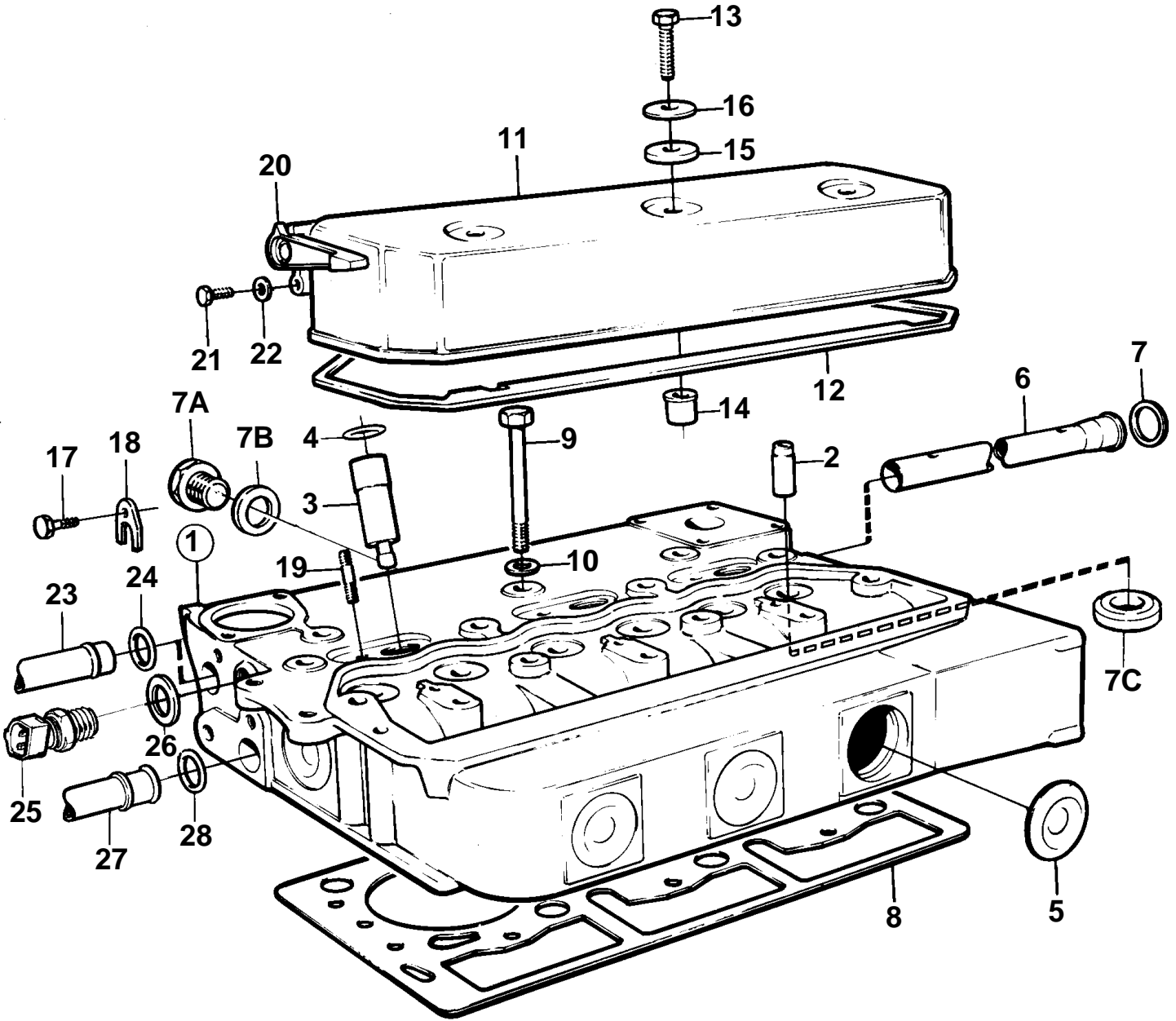


2003, 2003B, 2003AG, 2003BG



10287

2003, 2003B, 2003AG, 2003BG

REF	PART NO.	QTY	DESCRIPTION	NOTES
1	860082	1	Cylinder head	ALSO AVAILABLE AS AN EXCHANGE PART CONSISTING OF CYLINDER HEAD,INTAKE AND EXHAUST VALVES,VALVE SPRINGS,WASHERS AND LOCKS.
	3803162	1	Cylinder head, exch, exch	ALSO AVAILABLE AS AN EXCHANGE PART CONSISTING OF CYLINDER HEAD,INTAKE AND EXHAUST VALVES,VALVE SPRINGS,WASHERS AND LOCKS.
2	840281	6	• Valve guide	
3	860267	3	• Spray sleeve	
4	945221	3	• O-ring	
5	477024	7	• Expansion plug	(192211)
6	840460	1	• Distribution pipe	
7	418445	1	• Sealing ring	
7A	966147	2	• Plug	
7B	947630	2	• Gasket	
7C	858461	3	• Valve seat	
8	859093	1	Cylinder head gasket	
9	970888	14	Hexagon screw	(963255)
10	840210	14	Washer	
11	840339	1	Valve cover	REPL BY 861063
		1	Valve cover	VALVE COVER KIT 861063 CONSISTS OF 1EA VALVE COVER 840339,1EA LEVER 840590,1EA SCREW 940102,1EA O-RING 955976 AND 1EA WASHER 960138.THE KIT IS ALSO INTENDED FOR LATER VERSION WHERE HOLE FOR DECOMPRESSION SHAFT IS MISSING
12	859044	1	Gasket	
13	940142	3	Hexagon screw	
14	840441	3	Spacer sleeve	
15	840442	3	Rubber bushing	
16	840900	3	Washer	
17	955269	2	Hexagon screw	
18	840740	2	Clamp	
19	980336	3	Stud	
20	840590	1	Intermediate lever	INCLUDED IN VALVE COVER KIT 861063 BUT HAS BEEN REMOVED AS STANDARD FROM SN2300059085-
21	940102	1	Hexagon screw	INCLUDED IN VALVE COVER KIT 861063 BUT HAS BEEN REMOVED AS STANDARD FROM SN2300059085-
22	960138	1	Washer	INCLUDED IN VALVE COVER KIT 861063 BUT HAS BEEN REMOVED AS STANDARD FROM SN2300059085-
23	840739	1	Tube	CYLINDER HEAD-CIRCULATION PUMP.BY PASS.
24	418411	1	Sealing ring	
25	858229	1	Thermo monitor	
	840345	1	Temperature sensor	FOR ENGINES WITH PRODUCT NO.868222,868408 AND 868623., DE LUXE
26	947624	1	Gasket	
27	840737	1	Coolant pipe	CIRCULATION PUMP-CYLINDER HEAD
28	418445	1	Sealing ring	