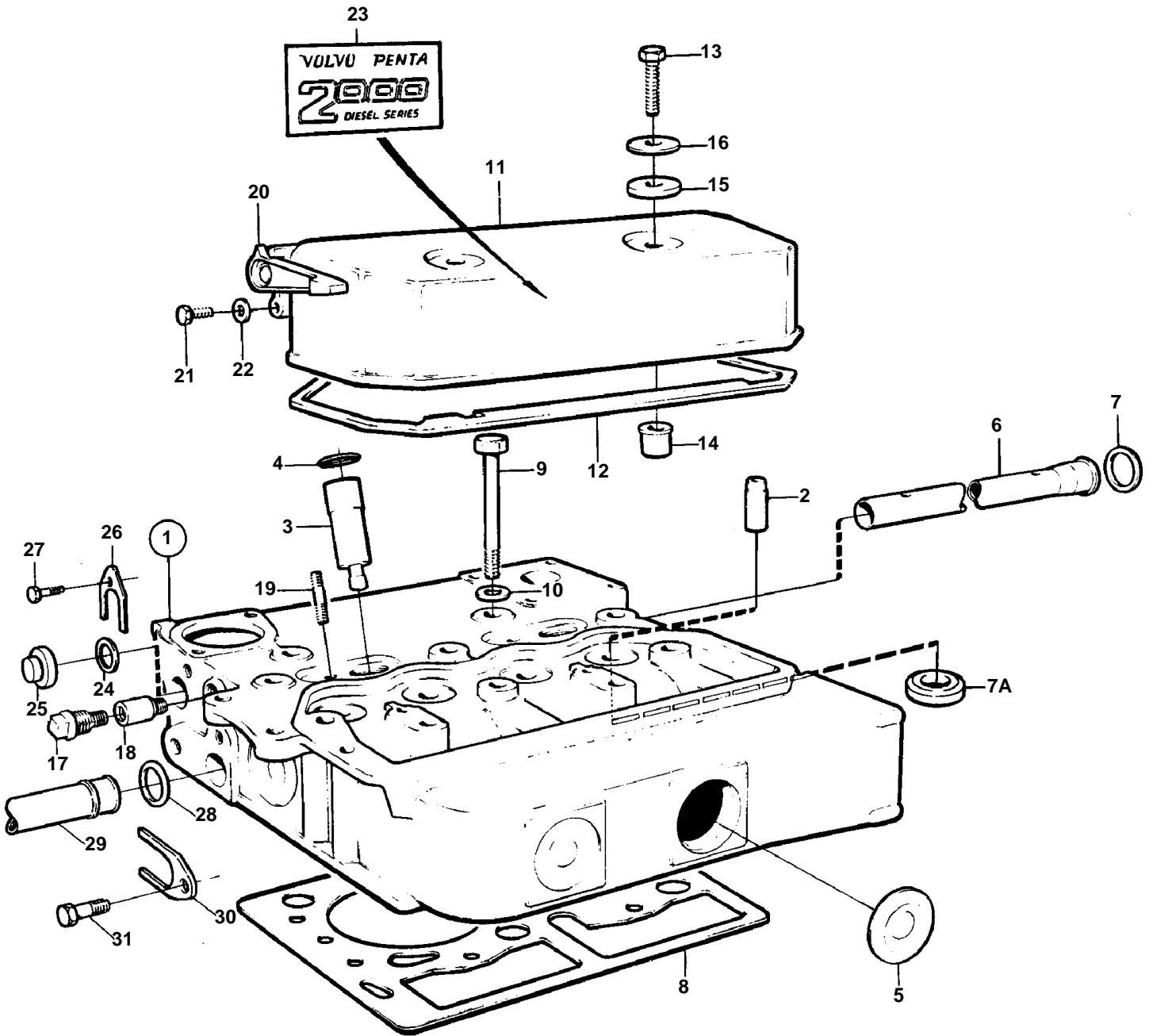


2002, 2002B, 2002AG, 2002BG



10224

2002, 2002B, 2002AG, 2002BG

| REF | PART NO. | QTY | DESCRIPTION               | NOTES  |
|-----|----------|-----|---------------------------|--|
| 1   | 860079   | 1   | Cylinder head             | ALSO AVAILABLE AS AN EXCHANGE PART CONSISTING OF CYLINDER HEAD,INTAKE AND EXHAUST VALVES,VALVE SPRINGS,WASHERS AND LOCKS.  |
|     | 3803161  | 1   | Cylinder head, exch, exch | ALSO AVAILABLE AS AN EXCHANGE PART CONSISTING OF CYLINDER HEAD,INTAKE AND EXHAUST VALVES,VALVE SPRINGS,WASHERS AND LOCKS.  |
| 2   | 840281   | 4   | • Valve guide             |  |
| 3   | 860267   | 2   | • Spray sleeve            |  |
| 4   | 945221   | 2   | • O-ring                  |  |
| 5   | 477024   | 6   | • Expansion plug          | (192211)   |
| 6   | 840420   | 1   | • Distribution pipe       |  |
| 7   | 418445   | 1   | • Sealing ring            |  |
| 7A  | 858461   | 2   | • Valve seat              |  |
| 8   | 859094   | 1   | Cylinder head gasket      |  |
| 9   | 970888   | 10  | Hexagon screw             |  |
| 10  | 840210   | 10  | Washer                    |  |
| 11  | 840329   | 1   | Valve cover               | REPL BY 861062   |
|     | 861062   | 1   | Valve cover               | VALVE COVER KIT 861062 CONSISTS OF 1EA VALVE COVER 840329,1EA LEVER 840590,1EA SCREW 940102,1EA O-RING 955976 AND 1EA WASHER 960138.THE KIT IS ALSO INTENDED FOR LATER VERSION WHERE HOLE FOR DECOMPRESSION SHAFT IS MISSING |
| 12  | 859043   | 1   | Gasket                    |  |
| 13  | 940142   | 2   | Hexagon screw             |  |
| 14  | 840441   | 2   | Spacer sleeve             |  |
| 15  | 840442   | 2   | Rubber bushing            |  |
| 16  | 840900   | 2   | Washer                    |  |
| 17  | 838928   | 1   | Plug                      |  |
| 18  | 838929   | 1   | Electrode                 |  |
| 19  | 980336   | 2   | Stud                      |  |
| 20  | 840590   | 1   | Intermediate lever        | INCLUDED IN VALVE COVER KIT 861062 BUT HAS BEEN REMOVED AS STANDARD FROM SN2300059085-   |
| 21  | 940102   | 1   | Hexagon screw             | INCLUDED IN VALVE COVER KIT 861062 BUT HAS BEEN REMOVED AS STANDARD FROM SN2300059085-   |
| 22  | 960138   | 1   | Washer                    | INCLUDED IN VALVE COVER KIT 861062 BUT HAS BEEN REMOVED AS STANDARD FROM SN2300059085-   |
| 23  |          | 1   | Decal                     |  |
| 24  | 418411   | 1   | Sealing ring              |  |
| 25  | 840677   | 1   | Plug                      |  |
| 26  | 840740   | 1   | Clamp                     |  |
| 27  | 955269   | 1   | Hexagon screw             |  |
| 28  | 418445   | 1   | Sealing ring              |  |
| 29  | 840732   | 1   | Hose connection           |  |
| 30  | 840740   | 1   | Clamp                     |  |
| 31  | 955269   | 1   | Hexagon screw             |  |