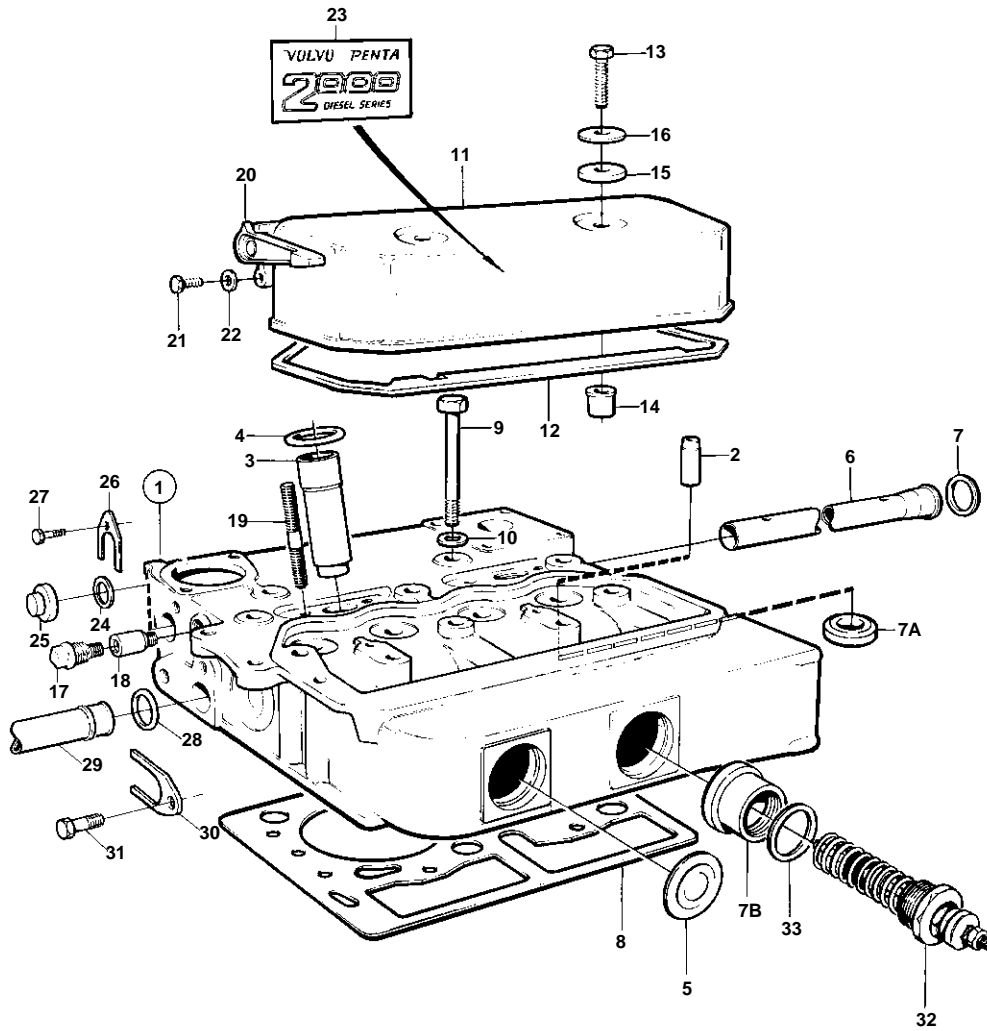


2002D



11323

2002D

REF	PART NO.	QTY	DESCRIPTION	NOTES
1		1	Cylinder head	
2	840281	4	• Valve guide	
3	860934	2	• Spray sleeve	
4	944126	2	• O-ring	
5	477024	5	• Expansion plug	
6	861007	1	• Distribution pipe	
7	418445	1	• Sealing ring	
7A	858461	2	• Valve seat	
7B	861001	1	• Adapter	
7	1161053	X	• Locking fluid	
8	859094	1	Cylinder head gasket	
9	970888	10	Hexagon screw	
10	840210	10	Washer	
11	840329	1	Valve cover	REPL BY 861062
	861062	1	Valve cover	VALVE COVER KIT 861062 CONSISTS OF 1EA VALVE COVER 840329,1EA LEVER 840590,1EA SCREW 940102,1EA O-RING 955976 AND 1EA WASHER 960138.THE KIT IS ALSO INTENDED FOR LATER VERSION WHERE HOLE FOR DECOMPRESSION SHAFT IS MISSING
12	859043	1	Gasket	
13	940142	2	Hexagon screw	
14	840441	2	Spacer sleeve	
15	840442	2	Rubber bushing	
16	840900	2	Washer	
17	838928	1	Plug	
18	838929	1	Electrode	
19	968975	4	Stud	L = 80 MM. SEE GROUP 2C
20	840590	1	Intermediate lever	INCLUDED IN VALVE COVER KIT 861062 BUT HAS BEEN REMOVED AS STANDARD FROM SN2300059085-
21	940102	1	Hexagon screw	INCLUDED IN VALVE COVER KIT 861062 BUT HAS BEEN REMOVED AS STANDARD FROM SN2300059085-
22	960138	1	Washer	INCLUDED IN VALVE COVER KIT 861062 BUT HAS BEEN REMOVED AS STANDARD FROM SN2300059085-
23		1	Decal	
24	418411	1	Sealing ring	
25	840677	1	Plug	
26	840740	1	Clamp	
27	955269	1	Hexagon screw	
28	418445	1	Sealing ring	
29	840732	1	Hose connection	
30	840740	1	Clamp	
31	955269	1	Hexagon screw	
32	872749	1	Glow plug	
33	18830	1	Gasket	