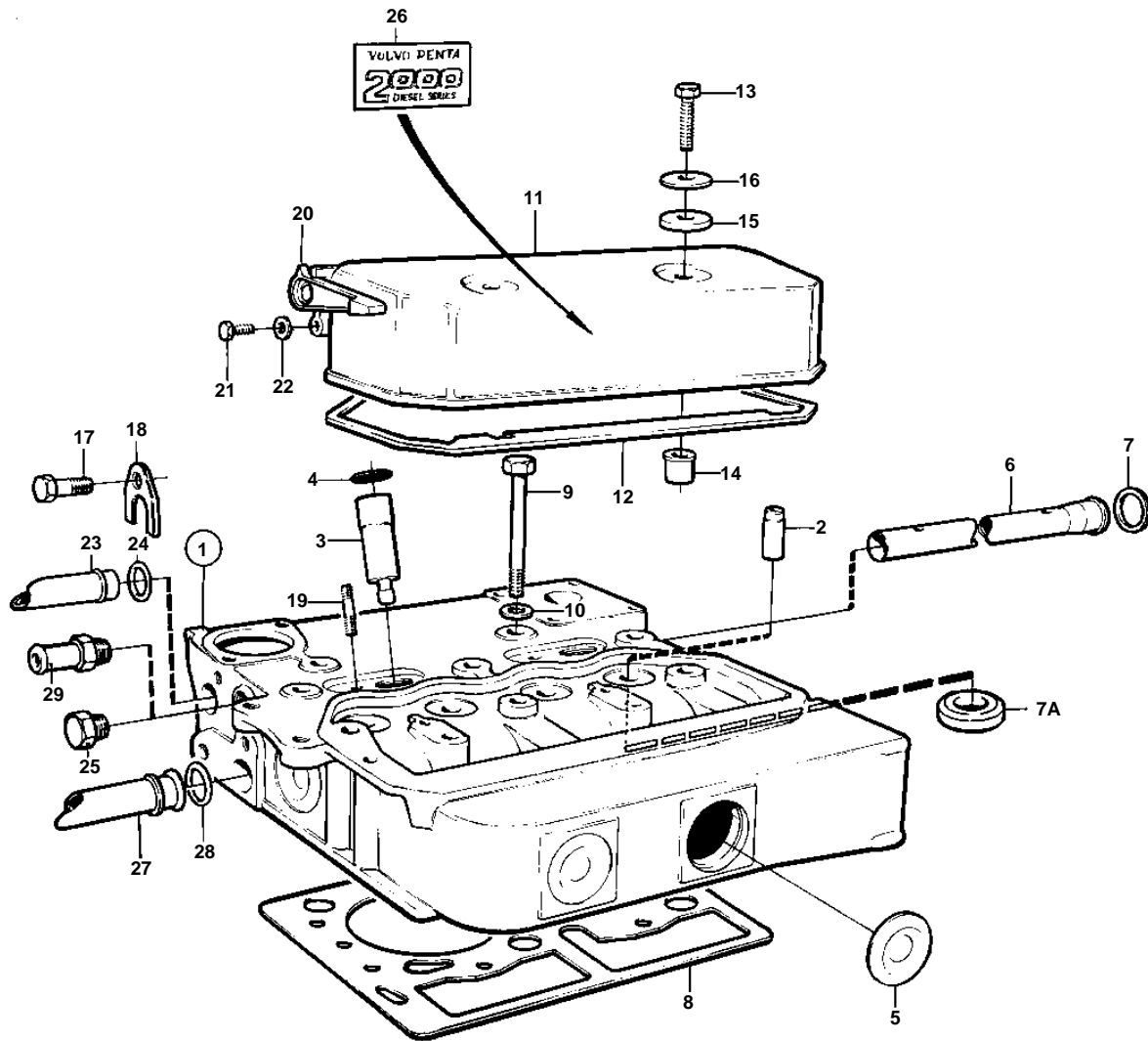


2002, 2002B, 2002AG, 2002BG



10453

2002, 2002B, 2002AG, 2002BG

REF	PART NO.	QTY	DESCRIPTION	NOTES
1	860079	1	Cylinder head	ALSO AVAILABLE AS AN EXCHANGE PART CONSISTING OF CYLINDER HEAD,INTAKE AND EXHAUST VALVES,VALVE SPRINGS,WASHERS AND LOCKS.
	3803161	1	Cylinder head, exch, exch	ALSO AVAILABLE AS AN EXCHANGE PART CONSISTING OF CYLINDER HEAD,INTAKE AND EXHAUST VALVES,VALVE SPRINGS,WASHERS AND LOCKS.
2	840281	4	• Valve guide	
3	860267	2	• Spray sleeve	
4	945221	2	• O-ring	
5	477024	6	• Expansion plug	(192211)
6	840420	1	• Distribution pipe	
7	418445	1	• Sealing ring	
7A	858461	2	• Valve seat	
8	859094	1	Cylinder head gasket	
9	970888	10	Hexagon screw	
10	840210	10	Washer	
11	861062	1	Valve cover	VALVE COVER KIT 861062 CONSISTS OF 1EA VALVE COVER 840329,1EA LEVER 840590,1EA SCREW 940102,1EA O-RING 955976 AND 1EA WASHER 960138.THE KIT IS ALSO INTENDED FOR LATER VERSION WHERE HOLE FOR DECOMPRESSION SHAFT IS MISSING
	840329	1	Valve cover	
12	859043	1	Gasket	
13	940142	2	Hexagon screw	
14	840441	2	Spacer sleeve	
15	840442	2	Rubber bushing	
16	840900	2	Washer	
17	955269	2	Hexagon screw	
18	840740	2	Clamp	
19	980336	2	Stud	
20	840590	1	Intermediate lever	INCLUDED IN VALVE COVER KIT 861062 BUT HAS BEEN REMOVED AS STANDARD FROM SN2300059085-
21	940102	1	Hexagon screw	INCLUDED IN VALVE COVER KIT 861062 BUT HAS BEEN REMOVED AS STANDARD FROM SN2300059085-
22	960138	1	Washer	INCLUDED IN VALVE COVER KIT 861062 BUT HAS BEEN REMOVED AS STANDARD FROM SN2300059085-
23	840739	1	Tube	CYLINDER HEAD-CIRCULATION PUMP.BY PASS.
24	418411	1	Sealing ring	
25	479956	1	Plug	
26		1	Decal	
27	840737	1	Coolant pipe	CIRCULATION PUMP-CYLINDER HEAD
28	418445	1	Sealing ring	
29	479978	1	Nipple, HEATHER OUTLET	