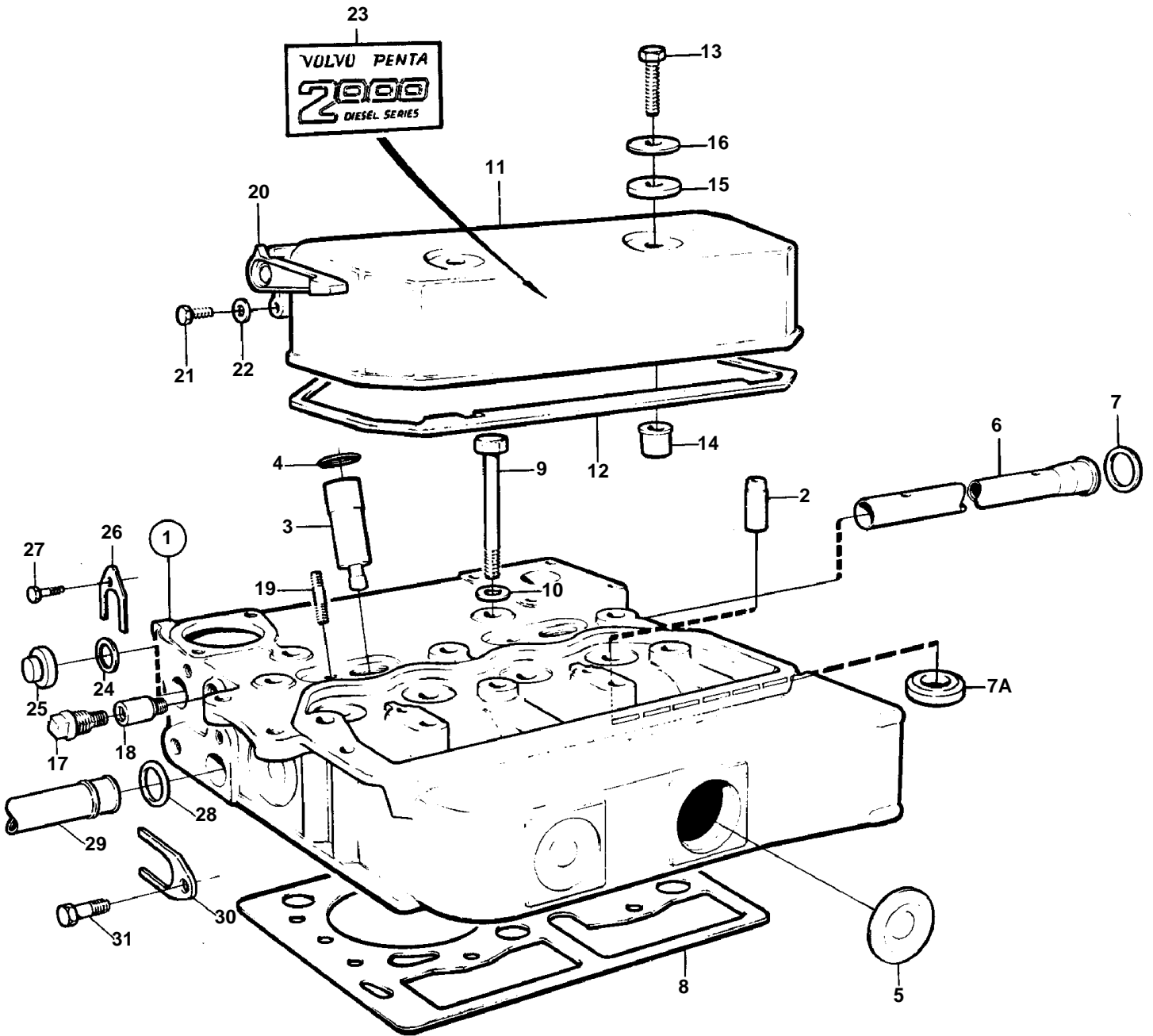


2002, 2002B, 2002AG, 2002BG



10224

2002, 2002B, 2002AG, 2002BG

REF	PART NO.	QTY	DESCRIPTION	NOTES
1	860079	1	Cylinder head	ALSO AVAILABLE AS AN EXCHANGE PART CONSISTING OF CYLINDER HEAD,INTAKE AND EXHAUST VALVES,VALVE SPRINGS,WASHERS AND LOCKS.
	3803161	1	Cylinder head, exch, exch	ALSO AVAILABLE AS AN EXCHANGE PART CONSISTING OF CYLINDER HEAD,INTAKE AND EXHAUST VALVES,VALVE SPRINGS,WASHERS AND LOCKS.
2	840281	4	· Valve guide	
3	860267	2	· Spray sleeve	
4	945221	2	· O-ring	
5	477024	6	· Expansion plug	(192211)
6	840420	1	· Distribution pipe	
7	418445	1	· Sealing ring	
7A	858461	2	· Valve seat	
8	859094	1	Cylinder head gasket	
9	970888	10	Hexagon screw	
10	840210	10	Washer	
11	840329	1	Valve cover	REPL BY 861062
	861062	1	Valve cover	VALVE COVER KIT 861062 CONSISTS OF 1EA VALVE COVER 840329,1EA LEVER 840590,1EA SCREW 940102,1EA O-RING 955976 AND 1EA WASHER 960138.THE KIT IS ALSO INTENDED FOR LATER VERSION WHERE HOLE FOR DECOMPRESSION SHAFT IS MISSING
12	859043	1	Gasket	
13	940142	2	Hexagon screw	
14	840441	2	Spacer sleeve	
15	840442	2	Rubber bushing	
16	840900	2	Washer	
17	838928	1	Plug	
18	838929	1	Electrode	
19	980336	2	Stud	
20	840590	1	Intermediate lever	INCLUDED IN VALVE COVER KIT 861062 BUT HAS BEEN REMOVED AS STANDARD FROM SN2300059085-
21	940102	1	Hexagon screw	INCLUDED IN VALVE COVER KIT 861062 BUT HAS BEEN REMOVED AS STANDARD FROM SN2300059085-
22	960138	1	Washer	INCLUDED IN VALVE COVER KIT 861062 BUT HAS BEEN REMOVED AS STANDARD FROM SN2300059085-
23		1	Decal	
24	418411	1	Sealing ring	
25	840677	1	Plug	
26	840740	1	Clamp	
27	955269	1	Hexagon screw	
28	418445	1	Sealing ring	
29	840732	1	Hose connection	
30	840740	1	Clamp	
31	955269	1	Hexagon screw	