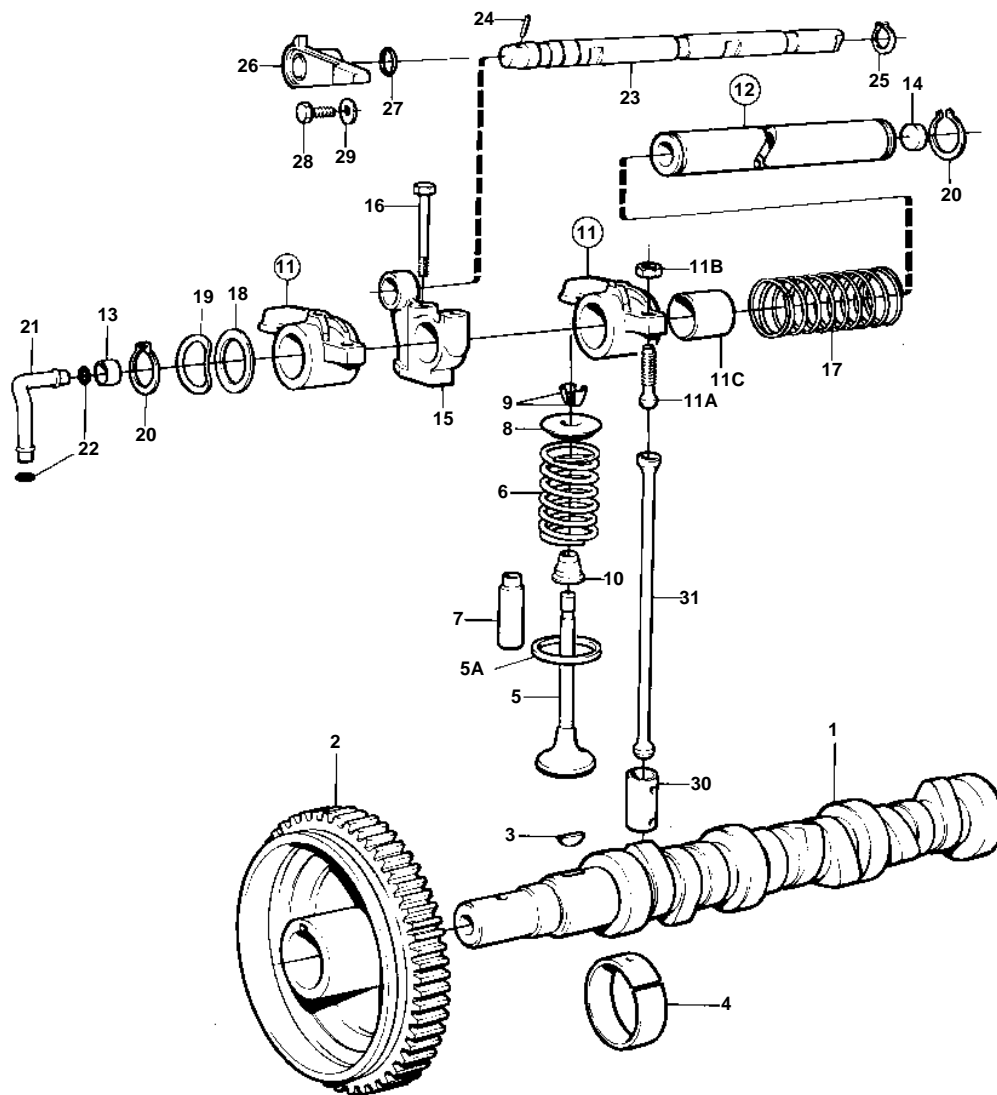


2003B, 2003D, 2003BG, 2003TB, 2003B-SOLAS, 2003TB-SOLAS



8970

2003B, 2003D, 2003BG, 2003TB, 2003B-SOLAS, 2003TB-SOLAS

REF	PART NO.	QTY	DESCRIPTION	NOTES
1		1	Camshaft	
2	858269	1	Gear	
3	910118	1	Woodruff key	
4	463360	4	Bushing	
5	860074	3	Inlet valve, INTAKE	2003B,D,BG,B-SOLAS
	860555	3	Inlet valve, INTAKE	2003TB,TB-SOLAS
	860075	3	Exhaust valve, EXHAUST	
5A	858461	3	Valve seat, EXHAUST	
6	838081	6	Valve spring	
7	840281	6	Valve guide	
8	859610	6	Valve spring washer	
9	403315	12	Lock	
10	859171	6	Valve stem seal	
11	3581129	3	Rocker arm, INTAKE	
	3581128	3	Rocker arm, EXHAUST	
11A	3581121	6	· Ball stud	
11B	921781	6	· Hexagon nut	
11C	418297	6	· Bushing	
12	840464	1	Rocker arm shaft	
13	840444	1	· Sleeve	
14	955083	1	· Cap plug	
15	840330	3	Bearing bracket	
16	955301	3	Hexagon screw	
17	418426	2	Compression spring	
18	400722	2	Shim	
19	840686	2	Spring washer	
20	914456	2	Snap ring	
21		1	Intermediate pipe	
22	969198	2	O-ring	
23	860747	1	Shaft	NOT USED ON AG, BG ENGINES., HAS BEEN EXCLUDED ON 2003B AND 2003D FROM SN2300059085- AND ON 2003TB FROM SN2300059107-.
24	951945	1	Spring pin	NOT USED ON AG, BG ENGINES., HAS BEEN EXCLUDED ON 2003B AND 2003D FROM SN2300059085- AND ON 2003TB FROM SN2300059107-.
25	914446	2	Snap ring	NOT USED ON AG, BG ENGINES., HAS BEEN EXCLUDED ON 2003B AND 2003D FROM SN2300059085- AND ON 2003TB FROM SN2300059107-.
26	840590	1	Intermediate lever	HAS BEEN EXCLUDED ON 2003B AND 2003D FROM SN2300059085- AND ON 2003TB FROM SN2300059107-.
27	955976	1	O-ring	HAS BEEN EXCLUDED ON 2003B AND 2003D FROM SN2300059085- AND ON 2003TB FROM SN2300059107-.
28	940102	1	Hexagon screw	HAS BEEN EXCLUDED ON 2003B AND 2003D FROM SN2300059085- AND ON 2003TB FROM SN2300059107-.
29	960138	1	Washer	HAS BEEN EXCLUDED ON 2003B AND 2003D FROM SN2300059085- AND ON 2003TB FROM SN2300059107-.
30	840409	6	Tappet	
31	840408	6	Push rod	