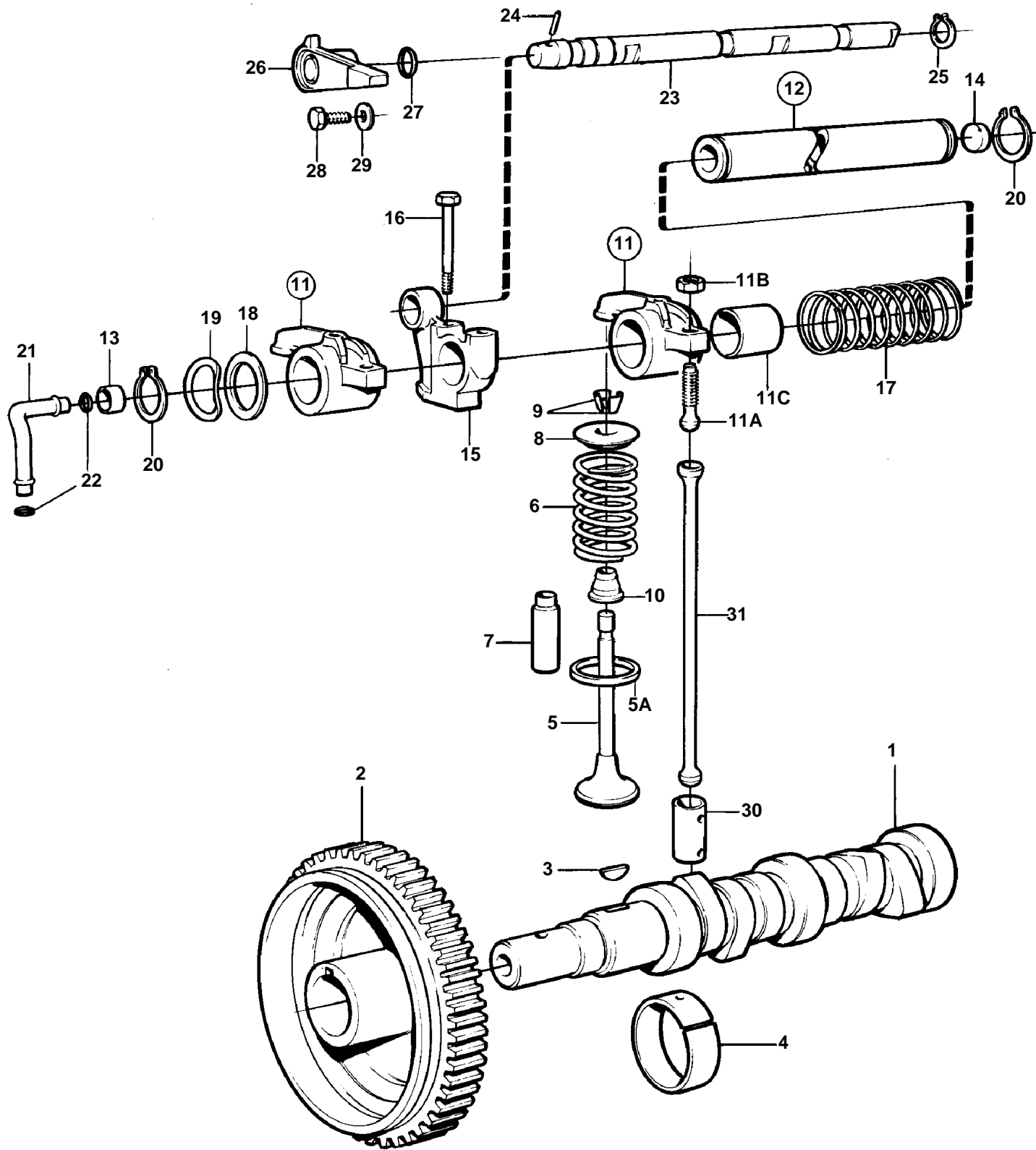


2002, 2002B, 2002D, 2002AG, 2002BG



10220

Upd: 2009-11-25

10220

7726000 - 21 - 11579

2002, 2002B, 2002D, 2002AG, 2002BG

| REF | PART NO. | QTY | DESCRIPTION | NOTES |
|-----|----------|-----|------------------------|--|
| 1 | 859383 | 1 | Camshaft | |
| 2 | 858269 | 1 | Gear | |
| 3 | 910118 | 1 | Woodruff key | |
| 4 | 463360 | 3 | Bushing | |
| 5 | 860074 | 2 | Inlet valve, INTAKE | |
| | 860075 | 2 | Exhaust valve, EXHAUST | |
| 5A | 858461 | 2 | Valve seat | |
| 6 | 838081 | 4 | Valve spring | |
| 7 | 840281 | 4 | Valve guide | |
| 8 | 859610 | 4 | Valve spring washer | |
| 9 | 403315 | 8 | Lock | |
| 10 | 859171 | 4 | Valve stem seal | |
| 11 | 3581129 | 2 | Rocker arm, INTAKE | |
| | 3581128 | 2 | Rocker arm, EXHAUST | |
| 11A | 3581121 | 4 | · Ball stud | |
| 11B | 921781 | 4 | · Hexagon nut | |
| 11C | 418297 | 4 | · Bushing | |
| 12 | 840426 | 1 | Rocker arm shaft | |
| 13 | 840444 | 1 | · Sleeve | |
| 14 | 955083 | 1 | · Cap plug | |
| 15 | 840330 | 2 | Bearing bracket | |
| 16 | 955301 | 2 | Hexagon screw | |
| 17 | 418426 | 1 | Compression spring | |
| 18 | 400722 | 2 | Shim | |
| 19 | 840686 | 2 | Spring washer | |
| 20 | 914456 | 2 | Snap ring | |
| 21 | | 1 | Intermediate pipe | |
| 22 | 969198 | 2 | O-ring | |
| 23 | | 1 | Shaft | NOT USED ON AG, BG ENGINES., SN-2300059084 |
| 24 | 951945 | 1 | Spring pin | NOT USED ON AG, BG ENGINES., SN-2300059084 |
| 25 | 914446 | 2 | Snap ring | NOT USED ON AG, BG ENGINES., SN-2300059084 |
| 26 | 840590 | 1 | Intermediate lever | SN-2300059084 |
| 27 | 955976 | 1 | O-ring | SN-2300059084 |
| 28 | 940102 | 1 | Hexagon screw | SN-2300059084 |
| 29 | 960138 | 1 | Washer | SN-2300059084 |
| 30 | 840409 | 4 | Tappet | |
| 31 | 840408 | 4 | Push rod | |