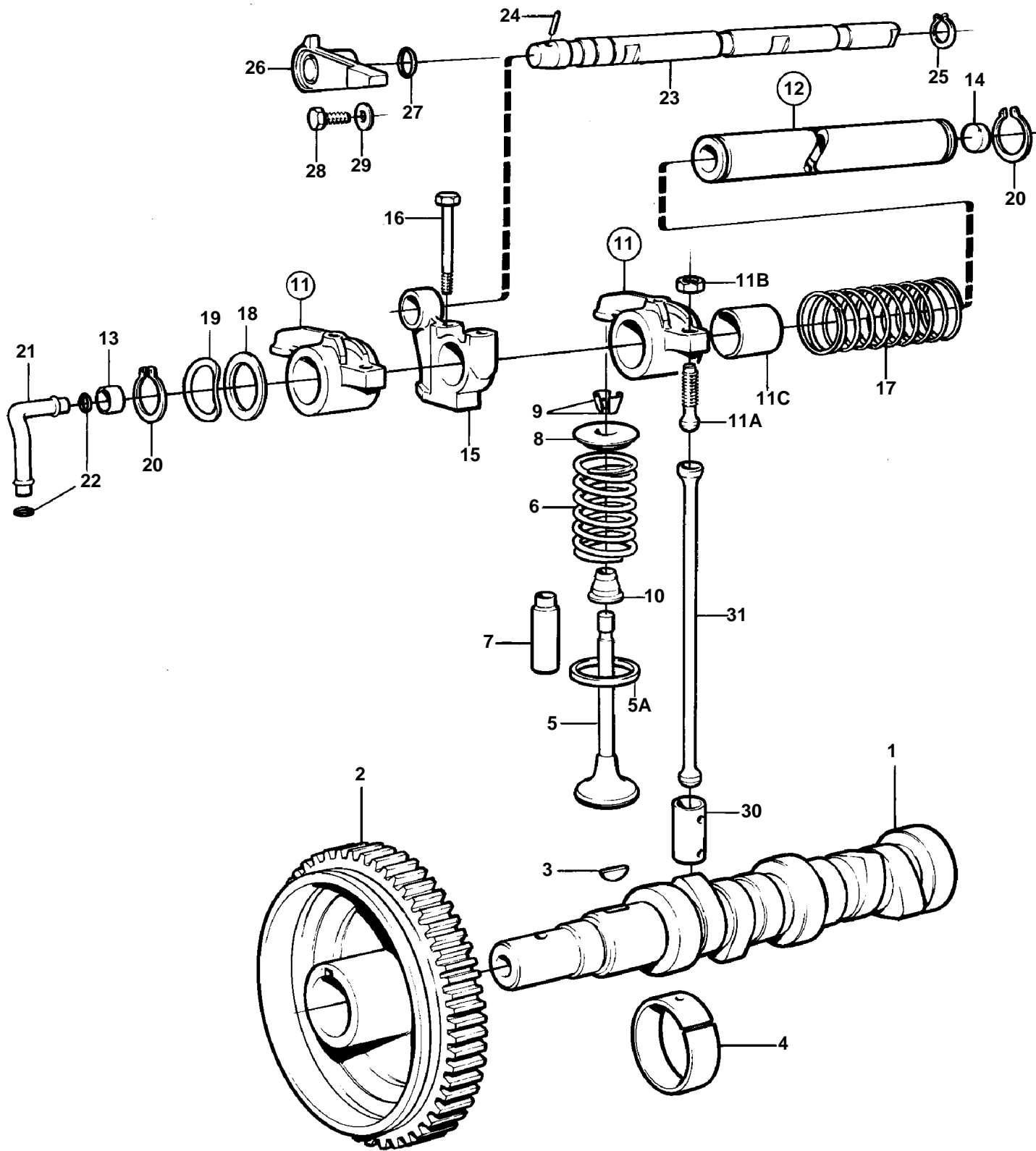


2002, 2002B, 2002D, 2002AG, 2002BG



2002, 2002B, 2002D, 2002AG, 2002BG

REF	PART NO.	QTY	DESCRIPTION	NOTES
1	859383	1	Camshaft	
2	858269	1	Gear	
3	910118	1	Woodruff key	
4	463360	3	Bushing	
5	860074	2	Inlet valve, INTAKE	
	860075	2	Exhaust valve, EXHAUST	
5A	858461	2	Valve seat	
6	838081	4	Valve spring	
7	840281	4	Valve guide	
8	859610	4	Valve spring washer	
9	403315	8	Lock	
10	859171	4	Valve stem seal	
11	3581129	2	Rocker arm, INTAKE	
	3581128	2	Rocker arm, EXHAUST	
11A	3581121	4	· Ball stud	
11B	921781	4	· Hexagon nut	
11C	418297	4	· Bushing	
12	840426	1	Rocker arm shaft	
13	840444	1	· Sleeve	
14	955083	1	· Cap plug	
15	840330	2	Bearing bracket	
16	955301	2	Hexagon screw	
17	418426	1	Compression spring	
18	400722	2	Shim	
19	840686	2	Spring washer	
20	914456	2	Snap ring	
21		1	Intermediate pipe	
22	969198	2	O-ring	
23		1	Shaft	NOT USED ON AG, BG ENGINES., SN-2300059084
24	951945	1	Spring pin	NOT USED ON AG, BG ENGINES., SN-2300059084
25	914446	2	Snap ring	NOT USED ON AG, BG ENGINES., SN-2300059084
26	840590	1	Intermediate lever	SN-2300059084
27	955976	1	O-ring	SN-2300059084
28	940102	1	Hexagon screw	SN-2300059084
29	960138	1	Washer	SN-2300059084
30	840409	4	Tappet	
31	840408	4	Push rod	