

Section T Special Tools

This section lists, describes and illustrates special tools required to disassemble and assemble the Series 5000 Velvet Drive marine transmission. Use of these tools is specified in Sections 3 and 5 of the manual. Equivalent tools may be used provided they perform the same function as the tool specified. Failure to use the proper special tool could result in damage to the transmission. The tools listed are available from R. G. Smith Enterprises, 1265 Colfax Ave., Kettering, OH 45419.

FIG. T-1 INDEX NO.	TOOL NUMBER	TOOL NAME	APPLICATION
1	T-5001	Assembly Tool	Compress installing clutch springs when removing or installing snap ring on input or lay shaft
2	T-5002	Bearing drift	Press bearing cone onto lay shaft
5	T-5003	Bearing Drift	Press bearing cone onto input shaft
4	T-5004	Bearing Drift	Press bearing cone onto output shaft
5	T-5005	Coupling Wrench	Holds output flange when removing or installing nut on output shaft
6	T-5006	Breather Seating Tool	Install breather
7	T-5007	Holding Fixture	Holds transmission in vice during service procedures

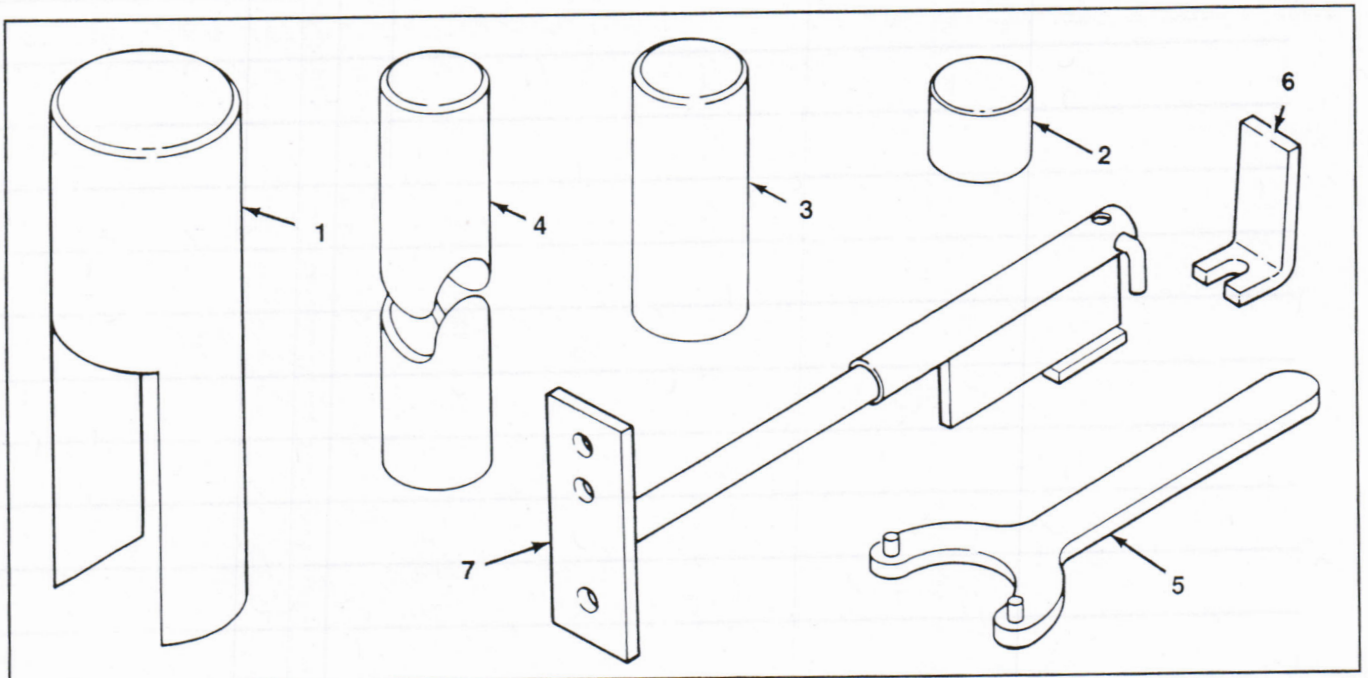


Figure T-1. Special Tools