

Section P Parts

Transmission Applications 2001-000-001 thru -016 AND 2001-000-R01 thru -R06 Contents

Figure No.	Description
P-1	Transmission Assembly
P-2	Valve and Pump Housing Assembly
P-3	Input Shaft Assembly
P-4	Lay Shaft Assembly

P-1. INTRODUCTION

P-2. This section lists, describes and illustrates replacement parts for the Series 5000 Velvet Drive® Marine Transmission. The exploded view illustration has a corresponding parts list. Index numbers are used to key each part in the exploded views to the parts list and service instructions in the preceding sections of this manual.

P-3. The PART NUMBER column in the parts list gives the part number which can be used to order replacement parts. More than one part number is listed for some index numbers. For shims, select as required to meet the assembly requirements specified in Section 5. For other parts, read the description column to determine part applicability.

P-4. The DESCRIPTION column gives the part nomenclature used, not only in the list but also in the service instructions. Part applicability is given in parenthesis if the part is used only on a specific model or models

P-5. The QTY column designates the number or

parts used at the location defined by the index number. Letter symbols may be used in this column to designate specific information as follows:

AR - As Required. This is used for selective fit parts, determined as specified in Assembly, Section 5.

Ref - Reference. This is used for subassemblies where the quantity required is listed on the main assembly parts list, figure P-1.

NSS - Not Sold Separately. Parts which are available only as an assembly.

LH - Left Hand Gear

RH - Right Hand Gear

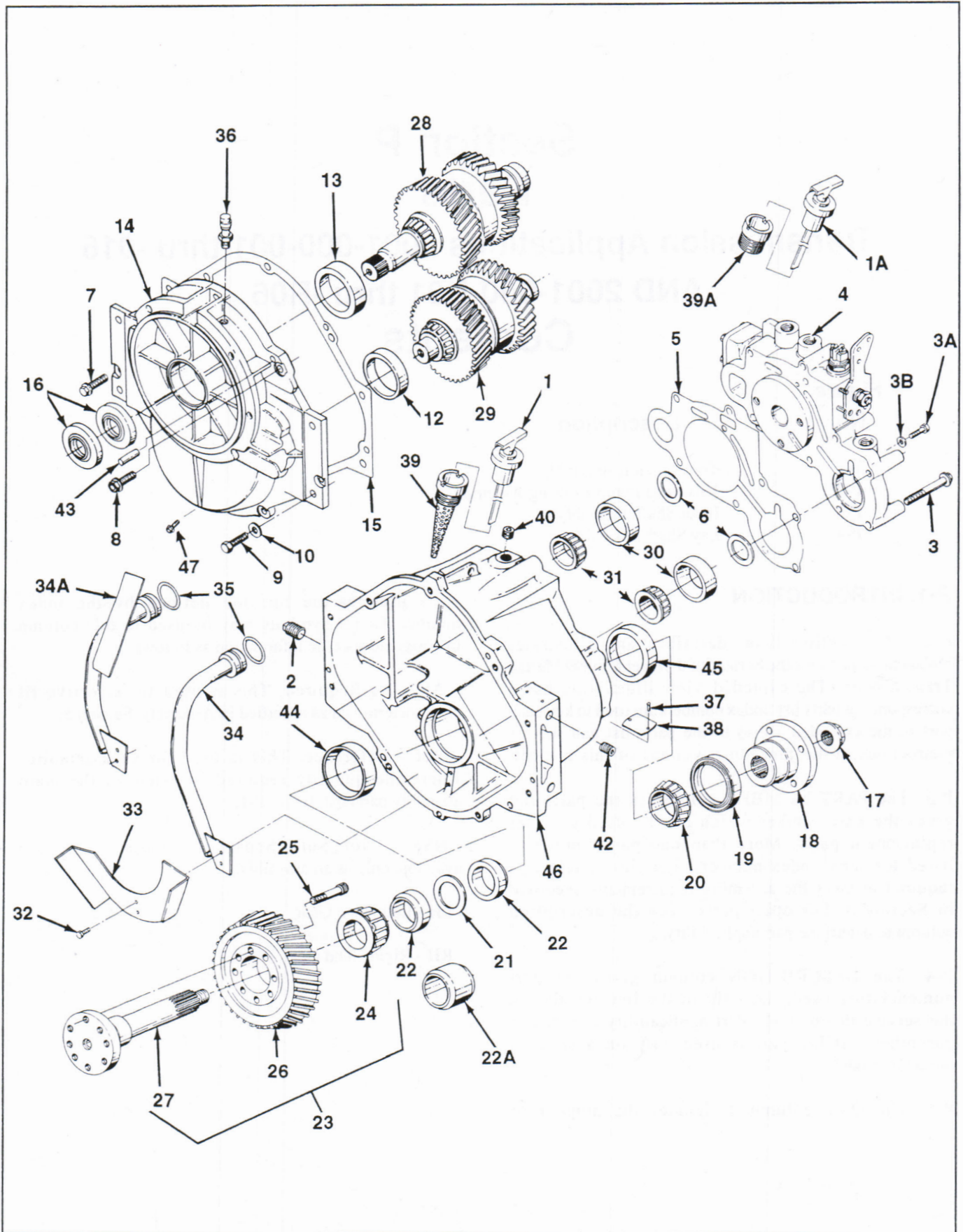


Figure P-1. Transmission Assembly

PARTS LIST FOR FIGURE P-1

INDEX NO.	PART NUMBER	DESCRIPTION	QTY	
Fig P-1	2001-000-001,-R01	TRANSMISSION ASSY, S5000 Marine, 1.00: 1 (1054: 1) ratio	1	
	2001-000-002,-R02	TRANSMISSION ASSY, S5000 Marine, 1.25:1 (1.303:1) ratio	1	
	2001-000-003, -R03	TRANSMISSION ASSY, S5000 Marine, 1.50: 1 (1.586: 1) ratio	1	
	2001-000-004, R-04	TRANSMISSION ASSY, S5000 Marine, 2.00:1 (2.040:1) ratio	1	
	2001-000-005, -R05	TRANSMISSION ASSY, S5000 Marine, 2.50:1 (2.455:1) ratio	1	
	2001-000-006, -R06	TRANSMISSION ASSY, S5000 Marine, 2.80:1 (2.800:1) ratio	1	
	2001-000-011	TRANSMISSION ASSY, S5000 Marine, 1.00:1 (1054:1) ratio	1	
	2001-000-012	TRANSMISSION ASSY, S5000 Marine, 1.25:1 (1.303:1) ratio	1	
	2001-000-013	TRANSMISSION ASSY, S5000 Marine, 1.50:1 (1.586:1) ratio	1	
	2001-000-014	TRANSMISSION ASSY, S5000 Marine, 2.00:1 (2.040:1) ratio	1	
	2001-000-015	TRANSMISSION ASSY, S5000 Marine, 2.50:1 (2.455:1) ratio	1	
	2001-000-016	TRANSMISSION ASSY, S5000 Marine, 2.80:1 (2.800:1) ratio	1	
	1	2001-559-002	. DIPSTICK (Late Production, After 5/1/93)	1
	1A	2001-599-001	. DIPSTICK (Early Production, Ending 5/1/93)	
	2	444583	. PLUG, Drain	1
	3	1000-183-088	. BOLT, Hex head, M10 x 1.5 x 70	7
3A	2000-183-001	. BOLT, M5 x 0.8 x 30	1	
3B	2000-047-001	. WASHER	1	
4	2001-736-002	. VALVE & PUMP ASSY (See figure P-2)	1	
5	2001-045-002	. GASKET	1	
6	1000-037-058	. SHIM, 0.076 mm (0.0030 in.) thick	AR	
	1000-037-059	. SHIM, 0.127 mm (0.0050 in.) thick	AR	
	1000-037-060	. SHIM, 0.178 mm (0.0070 in.) thick	AR	
	1000-037-061	. SHIM, 0.229 mm (0.0090 in.) thick	AR	
	1000-037-062	. SHIM, 0.508 mm (0.0200 in.) thick	AR	
	1000-037-063	. SHIM, 0.760 mm (0.0300 in.) thick	AR	
	1000-037-064	. SHIM, 1.106 mm (0.0400 in.) thick	AR	
	1000-037-065	. SHIM, 1.270 mm (0.0500 in.) thick	AR	
	1000-037-066	. SHIM, 1.524 mm (0.0600 in.) thick	AR	
	1000-037-067	. SHIM, 1.778 mm (0.0700 in.) thick	AR	
7	11502693	. BOLT, Hex head, M8 x 1.25 x 20	2	
8	1300-183-018	. BOLT, Hex head, M10 x 1.5 x 30	5	
9	1000-183-092	. BOLT, Hex head. M12 x 1.75 x 35	4	
10	120395	. WASHER	4	
12	1000-133-051	. CUP, Bearing	1	
13	1000-133-053	. CUP, Bearing	1	
14		. CASE COVER & MAGNET ASSY	NSS	
15	2001-045-001	. GASKET	1	
16	1000-044-065	. SEAL, Oil	2	

PARTS LIST FOR FIGURE P-1

INDEX NO.	PART NUMBER	DESCRIPTION	QTY
28	2001-689-006	SHAFT ASSY, Input (See figure P-3) (Transmission 2001-000-006, -R06)	1
	2001-689-011	SHAFT ASSY, Input (See figure P-3) (Transmission 2001-000-011)	1
	2001-689-012	SHAFT ASSY, Input (See figure P-3) (Transmission 2001-000-012)	1
	2001-689-013	SHAFT ASSY, Input (See figure P-3) (Transmission 2001-000-013)	1
	2001-689-014	SHAFT ASSY, Input (See figure P-3) (Transmission 2001-000-014)	1
	2001-689-015	SHAFT ASSY, Input (See figure P-3) (Transmission 2001-000-015)	1
	2001-689-016	SHAFT ASSY, Input (See figure P-3) (Transmission 2001-000-016)	1
29	2001-567-001	SHAFT ASSY, Lay (See figure P-4) (Transmission 2001-000-001, -R01)	1
	2001-567-002	SHAFT ASSY, Lay (See figure P-4) (Transmission 2001-000-002, -R02)	1
	2001-567-003	SHAFT ASSY, Lay (See figure P-4) (Transmission 2001-000-003, -R03)	1
	2001-567-004	SHAFT ASSY, Lay (See figure P-4) (Transmission 2001-000-004, -R04)	1
	2001-567-005	SHAFT ASSY, Lay (See figure P-4) (Transmission 2001-000-005, -R05)	1
	2001-567-006	SHAFT ASSY, Lay (See figure P-4) (Transmission 2001-000-006, -R06)	1
	2001-567-011	SHAFT ASSY, Lay (See figure P-4) (Transmission 2001-000-011)	1
	2001-567-012	SHAFT ASSY, Lay (See figure P-4) (Transmission 2001-000-012)	1
	2001-567-013	SHAFT ASSY, Lay (See figure P-4) (Transmission 2001-000-013)	1
	2001-567-014	SHAFT ASSY, Lay (See figure P-4) (Transmission 2001-000-014)	1
	2001-567-015	SHAFT ASSY, Lay (See figure P-4) (Transmission 2001-000-015)	1
	2001-567-016	SHAFT ASSY, Lay (See figure P-4) (Transmission 2001-000-016)	1
30	1000-133-009	CUP, Bearing	2
31	1000-133-010	CONE, Bearing	2
32	11503875	BOLT, Hex head, M6 x 1.0 x 102	2
33	2001-036-001	BAFFLE, Oil (Transmission 2001-000-005, -R05 & -015)	1
	2001-036-002	BAFFLE, Oil (Transmission 2001-000-004, -R04 & -014)	1
	2001-036-003	BAFFLE, Oil (Transmission 2001-000-006, -R06 & -016)	1
	2001-036-004	BAFFLE, Oil (Transmission 2001-000-003, -R03 & -013)	1
	2001-036-005	BAFFLE, Oil (Transmission 2001-000-002, -R02 & -012)	1
	2001-036-006	BAFFLE, Oil (Transmission 2001-000-001, -R01 & -011)	1
34	2001-534-002	TUBE ASSY, Suction (Late Production Starting 5/1/93)	1
34A	2001-534-001	TUBE ASSY, Suction (Early Producdon Ending 5/1/93)	1
35	1000-141-214	O-RING	1

PARTS LIST FOR FIGURE P-1

INDEX NO.	PART NUMBER	DESCRIPTION	QTY
17	1000-149-034	. NUT, Flange	1
18	2001-031-001	. FLANGE, output	1
19	1000-044-066	. SEAL, Oil	1
20	1000-133-004	. CONE, Bearing	1
21	2000-037-001	. SHIM, 0.076 mm (0.003 in.) THICK	AR
	2000-037-002	. SHIM, 0.127 mm (0.005 in.) THICK	AR
	2000-037-003	. SHIM, 0.178 mm (0.007 in.) THICK	AR
	2000-037-004	. SHIM, 0.229 mm (0.009 in.) THICK	AR
	2000-037-005	. SHIM, 0.280 mm (0.011 in.) THICK	AR
	2000-037-006	. SHIM, 0.483 mm (0.019 in.) THICK	AR
22	2001-103-003	. SLEEVE (Supersedes 2001-103-001)	2
22A	2001-103-001	. SLEEVE (Superseded by Two 2001-103-003)	1
23	2001-671-001	. SHAFT ASSY, Output (Transmission 2001-000-001, -R01 & -011)	1
	2001-671-002	. SHAFT ASSY, Output (Transmission 2001-000-002, -R02 & -012)	1
	2001-671-003	. SHAFT ASSY, Output (Transmission 2001-000-003, -R03 & -013)	1
	2001-671-004	. SHAFT ASSY, Output (Transmission 2001-000-004, -R04 & -014)	1
	2001-671-005	. SHAFT ASSY, Output (Transmission 2001-000-005, -R05 & -015)	1
	2001-671-006	. SHAFT ASSY, Output (Transmission 2001-000-006, R-06 & -016)	1
24	1000-133-048	. . CONE, Bearing	1
25	1000-183-086	. . BOLT, Socket head, M8 x 1.25 x 30	8
26	2001-070-007	. . GEAR, Output, 39 Teeth (Transmission 2001-000-001, -R01 & -011)	1
	2001-070-008	. . GEAR, Output, 43 Teeth (Transmission 2001-000-002, R02 & -012)	1
	2001-070-009	. . GEAR, Output, 46 Teeth (Transmission 2001-000-003, -R03 & -013)	1
	2001-070-010	. . GEAR, Output, 51 Teeth (Transmission 2001-000-004, -R04 & -014)	1
	2001-070-011	. . GEAR, Output, 54 Teeth (Transmission 2001-000-005, R-05 & -015)	1
	2001-070-012	. . GEAR, Output, 56 Teeth (Transmission 2001-000-006, R-06 & -016)	1
27	2001-171-001	. . SHAFT, Output	1
28	2001-689-001	. SHAFT ASSY, Input (See figure P-3) (Transmission 2001-000-001, -R01)	1
	2001-689-002	. SHAFT ASSY, Input (See figure P-3) (Transmission 2001-000-002, -R02)	1
	2001-689-003	. SHAFT ASSY, Input (See figure P-3) (Transmission 2001-000-003, -R03)	1
	2001-689-004	. SHAFT ASSY, Input (See figure P-3) (Transmission 2001-000-004, -R04)	1
	2001-689-005	. SHAFT ASSY, Input (See figure P-3) (Transmission 2001-000-005, -R05)	1

PARTS LIST FOR FIGURE P-1

INDEX NO.	PART NUMBER	DESCRIPTION	QTY
36	4740A	. BREATHER	1
37	1000-183-077	. RIVET	2
38		. TAG, Identification	NSS
39	2001-535-001	. TUBE ASSY, Dipstick (Late Production Starting 5/1/93)	1
39A	2001-034-003	. TUBE, Dipstick (Early Production Ending 5/1/93)	1
40	444668	. PLUG, Pipe	2
42	2001-241-003	. INSERT, Thread	8
43	1000-043-030	. PIN, Tapered	2
44	1000-133-049	. CUP, Bearing	1
45	1000-133-003	. CUP, Bearing	1
46		. CASE, Transmission	NSS
47	1000-183-096	. BOLT, Socket Head, M5 X 0.8X25	1

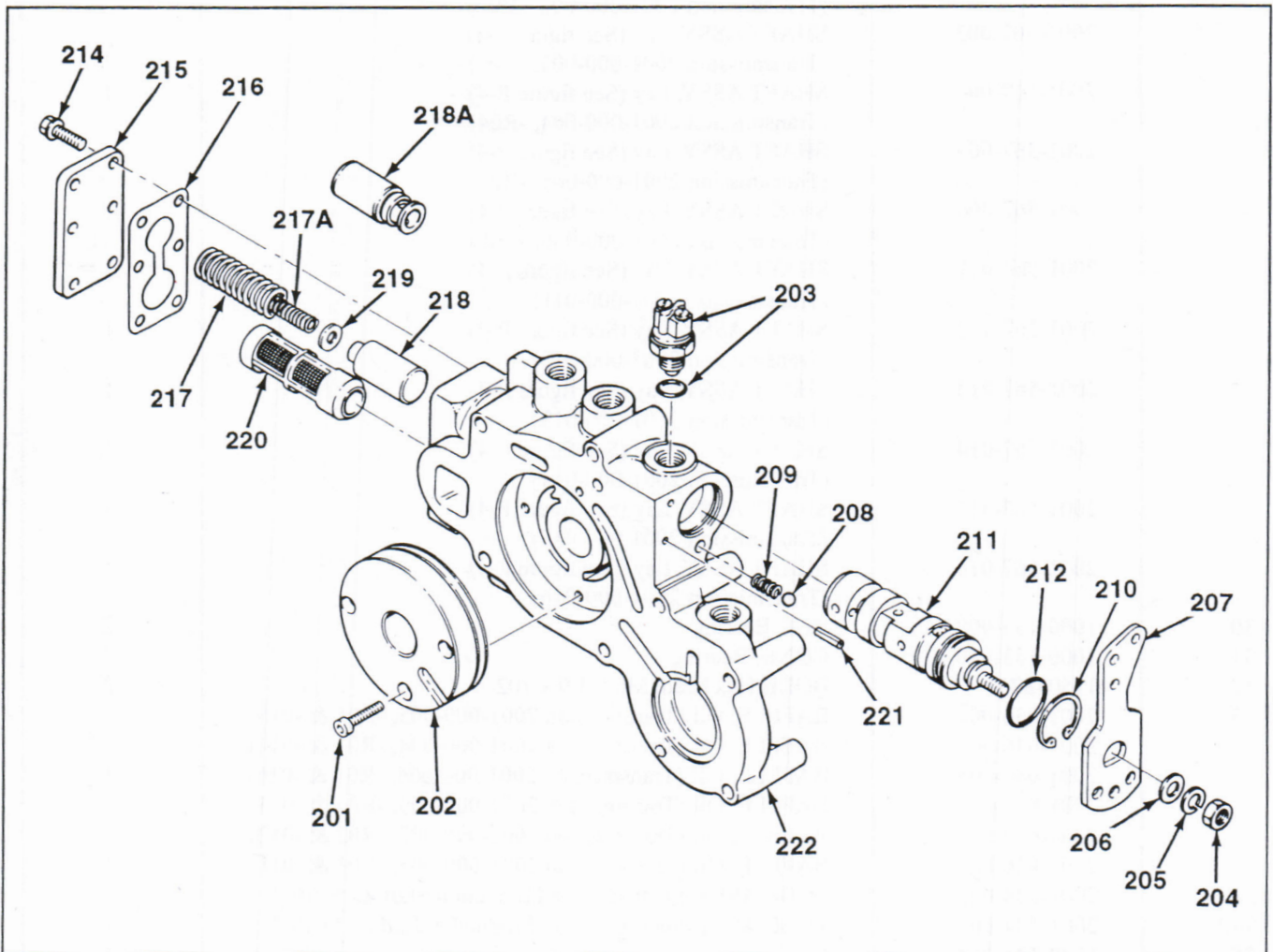


Figure P-2. Valve and Pump Housing Assembly

PARTS LIST FOR FIGURE P-2

INDEX NO.	PART NUMBER	DESCRIPTION	QTY
Fig P-2	2001-736-001	VALVE & PUMP HOUSING ASSY (4, figure P-1) (Transmission 2001-000-001 thru -016)	Ref
201	1000-183-087	. BOLT, Socket head, M6 x 1.0 x 25	3
202	2001-508-001	. PUMP ASSY	1
203	1000-640-004	. SWITCH ASSY	1
204	11505919	. NUT, Hex, M8 x 1.25	1
205	120124	. WASHER, Lock	1
206	120393	. WASHER, Flat	1
207	2001-098-001	. LEVER, Control	1
208	453632	. BALL, Steel	1
209	71-42	. SPRING	1
210	1000-139-071	. RING, Snap	1
211	2001-239-001	. VALVE, Control	1
212	1000-141-123	. O-RING	1
214	1000-183-090	. BOLT, Hex head,	6
215	2001-039-001	. PLATE, Cover	1
216	2001-045-003	. GASKET	1
217	71-242	. SPRING M6 x 1.0 x 16	1
217A	2001-156-004	. SPRING (Used in addition to spring (;21/) with valve piston (218) and washer (219) only)	1
218	2001-124-004	. PISTON, Valve (Late Production)	1
218A	2001-124-002	. PISTON, Valve (Early Production)	1
219	1000-053-024	. WASHER	1
220	2001-238-001	. SCREEN	2
221	9422127	. PIN, Spring	2
222	See Note (2)	. HOUSING, Valve	NSS

Note (2): Not Sold Separately. Order complete valve and pump housing assembly Part No. 2001-736-002.

Table P-2. Gaskets, Seals and Snap Rings Kit
PART NO. 2001-410-001

INDEX NO.	PART NUMBER	DESCRIPTION	QUANTITY
321 & 420	1000-016-019	Sealing Ring	2
324 & 423	1000-016-020	Sealing Ring	2
328	1000-016-021	Sealing Ring	1
16	1000-044-065	Oil seal	2
19	1000-044-066	Oil seal	1
305, 307 & 405	1000-139-068	Snap Ring	5
308 & 406	1000-139-069	Snap Ring	2
210	1000-139-071	Snap Ring	1
326 & 425	1000-141-045	O-Ring	2
212	1000-141-123	O-Ring	1
325 & 424	1000-141-130	O-Ring	2
35	1000-141-214	O-Ring	1
322 & 421	1000-141-241	O-Ring	2
327 & 426	2000-016-050	Sealing Ring	4
428	2000- 139-001	Sealing Ring	1
15	2001-045-001	Gasket	1
5	2001-045-002	Gasket	1
216	2001-045-003	Gasket	1

Table P-1. Shim Assortment Kit
PART NO. 2001-410-003

INDEX NO.	PART NUMBER	DESCRIPTION	QUANTITY
6	1000-037-058	Shim, 0.076 mm (0.003 in.) thick	3
6	1000-037-059	Shim, 0.127 mm (0.005 in.) thick	3
6	1000-037-060	Shim, 0.178 mm (0.007 in.) thick	3
6	1000-037-061	Shim, 0.229 mm (0.009 in.) thick	3
6	1000-037-062	Shim, 0.508 mm (0.020 in.) thick	3
6	1000-037-063	Shim, 0.760 mm (0.030 in.) thick	3
21	2000-037-002	Shim, 0.127 mm (0.005 in.) thick	3
21	2000-037-003	Shim, 0.178 mm (0.007 in.) thick	3
21	2000-037-004	Shim, 0.229 mm (0.009 in.) thick	3
21	2000-037-005	Shim, 0.280 mm (0.011 in.) thick	3

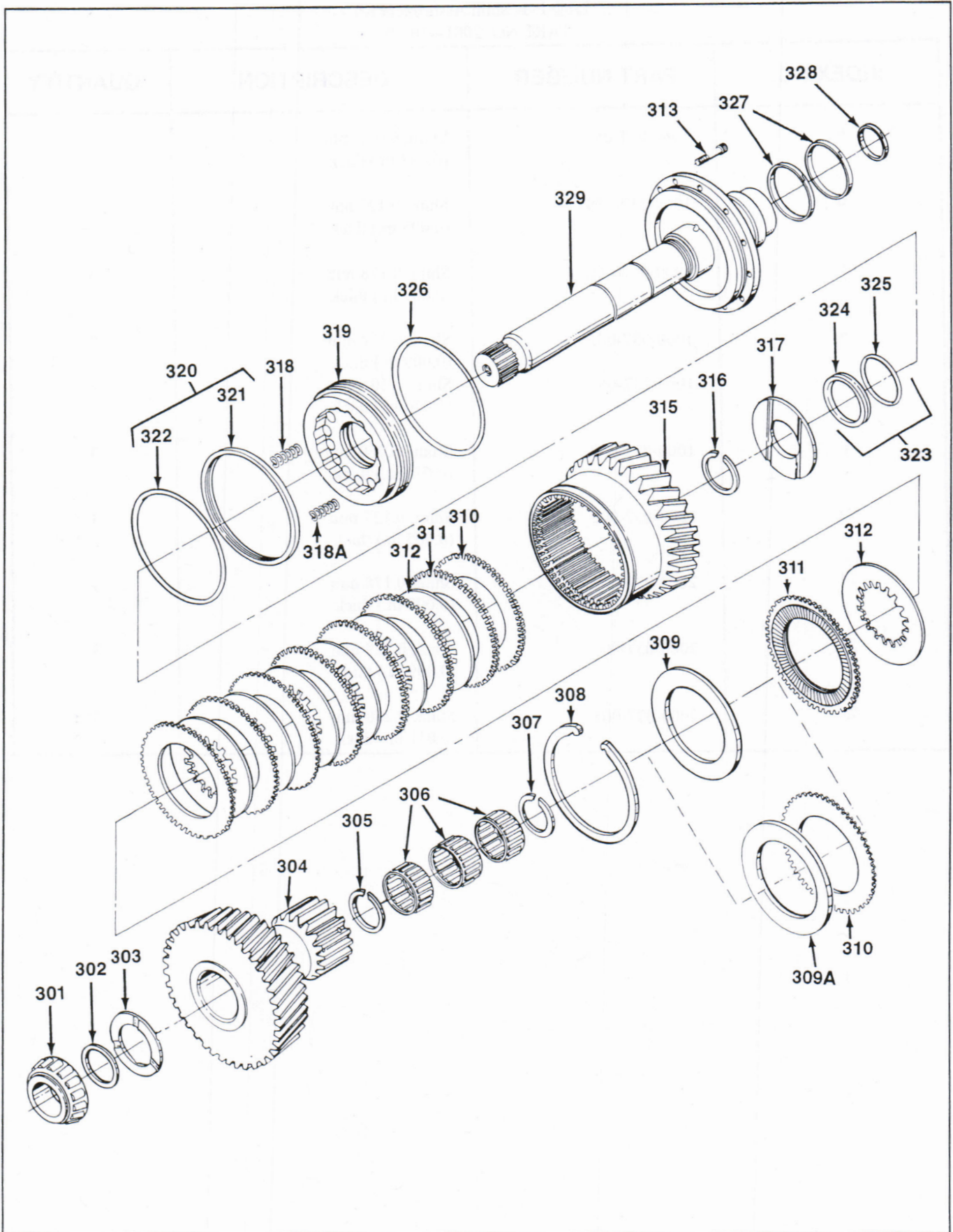


Figure P-3. Input Shaft Assembly

PARTS LIST FOR FIGURE P-3

INDEX NO.	PART NUMBER	DESCRIPTION	QTY	
Fig P-3	2001-689-001	SHAFT ASSY, Input (28, figure P-1) (Transmission 2001-000-001, -R01)	Ref	
	2001-689-002	SHAFT ASSY, Input (28, figure P-1) (Transmission 2001-000-002, -R02)	Ref	
	2001-689-003	SHAFT ASSY, Input (28, figure P-1) (Transmission 2001-000-003, -R03)	Ref	
	2001-689-004	SHAFT ASSY, Input (28, figure P-1) (Transmission 2001-000-004, -R04)	Ref	
	2001-689-005	SHAFT ASSY, Input (28, figure P-1) (Transmission 2001-000-005, -R05)	Ref	
	2001-689-006	SHAFT ASSY, Input (28, figure P-1) (Transmission 2001-000-006, -R06)	Ref	
	2001-689-011	SHAFT ASSY, Input (28, figure P-1) (Transmission 2001-000-011)	Ref	
	2001-689-012	SHAFT ASSY, Input (28, figure P-1) (Transmission 2001-000-012)	Ref	
	2001-689-013	SHAFT ASSY, Input (28, figure P-1) (Transmission 2001-000-013)	Ref	
	2001-689-014	SHAFT ASSY, Input (28, figure P-1) (Transmission 2001-000-014)	Ref	
	2001-689-015	SHAFT ASSY, Input (28, figure P-1) (Transmission 2001-000-015)	Ref	
	2001-689-016	SHAFT ASSY, Input (28, figure P-1) (Transmission 2001-000-016)	Ref	
	301	1000-133-052	. CONE, Bearing	1
	302	2001-053-001	. SPACER	1
	303	1000-193-022	. WASHER, Thrust	1
	301	2001-080-024	. GEAR, Clutch, 20 tooth (Transmission 2001-000-006, -R06 & -016)	1
	2001-080-022	. GEAR, Clutch, 22 tooth (Transmission 2001-000-005, -R05 & -015)	1	
	2001-080-020	. GEAR, Clutch, 25 tooth (Transmission 2001-000-004, -R04 & -014)	1	
	2001-080-018	. GEAR, Clutch, 29 tooth (Transmission 2001-000-003, -R03 & -013)	1	
	2001-080-016	. GEAR, Clutch, 33 tooth (Transmission 2001-000-002, -R02 & -012)	1	
	2001-080-014	. GEAR, Clutch, 37 tooth (Transmission 2001-000-001, -R01 & -011)	1	
305	1000-139-068	. RING, Snap	1	
306	1000-132-055	. BEARING, Needle	3	
307	1000-139-068	. RING, Snap	1	
308	1000-139-069	. RING, Snap	1	
309	2001-062-003	. PLATE, Backing, 5.00 mm (0.200 in.) thick (Supersedes 2001-062-001)	1	
309A	2001-062-001	. PLATE, Backing, 3.00 mm (0.112 in.) thick (Superseded by 2001-062-003)	1	
310	2001-062-002	. PLATE, Clutch (2 used when 2001-062-001 is used)	1	
311	2001-666-001	. DISC ASSY, Clutch (drive)	8	
312	2001-166-002	. DISC, Clutch (driven)	7	

PARTS LIST FOR FIGURE P-3

INDEX NO.	PART NUMBER	DESCRIPTION	QTY
313	2000-183-002	. BOLT, M6 x 1.0 x 20	12
315	2001-125-001	. CYLINDER, Clutch Gear (RH)	1
316	1000-139-068	. RING, Snap	1
317	2001-040-001	. RETAINER, Spring	1
318	2001-156-001	. SPRING (Transmission 2001-000-001 thru -006)	4
	2001-156-001	. SPRING (Transmission 2001-000-011 thru -016)	16
318A	2001-156-003	. SPRING (Transmission 2001-000-001 thru -006)	12
319	2001-624-001	. PISTON ASSY, Clutch (Supersedes piston 2001-124-001)	1
320	1000-516-019	. RING ASSY, Sealing	1
321	1000-016-019	. . RING, Sealing	1
322	1000-141-241	. . O-RING	1
323	1000-516-020	. RING ASSY, Sealing	1
324	1000-016-020	. . RING, Sealing	1
325	1000-149-130	. . O-RING	1
326	1000-141-045	. O-RING	1
327	2000-016-050	. RING, Oil seal (Supersedes 4806B)	2
328	1000-016-021	. RING, Seal (steel)	1
329	2001-189-001	. SHAFT, Input (Transmission 2001-000-001 thru -016)	1

Table 4-3. Clutch Rebuild Kit
PART NO. 2001-410-002

INDEX NO.	PART NUMBER	DESCRIPTION	QUANTITY
306 & 404	1000-132-055	Needle bearing	3
305 & 405	1000-139-068	Snap ring	3
308 & 406	1000-139-069	Snap ring	1
318 & 417	1016-156-003	Spring	12
415	1000-193-019	Thrust washer	1
303	1000-193-022	Thrust washer	1
327 & 426	2000-016-050	Seal ring	2
313 & 411	2000-183-002	Bolt	12
317	2001-040-001	Spring retainer	1
416	2001-040-003	Spring retainer	1
302	2001-053-001	Spacer	1
309 & 407	2001-062-003	Backing plate	1
318 & 417	2001-156-001	Spring	16
312 & 410	2001-166-002	Driven disc	7
311 & 409	2001-666-001	Drive disc assembly	8

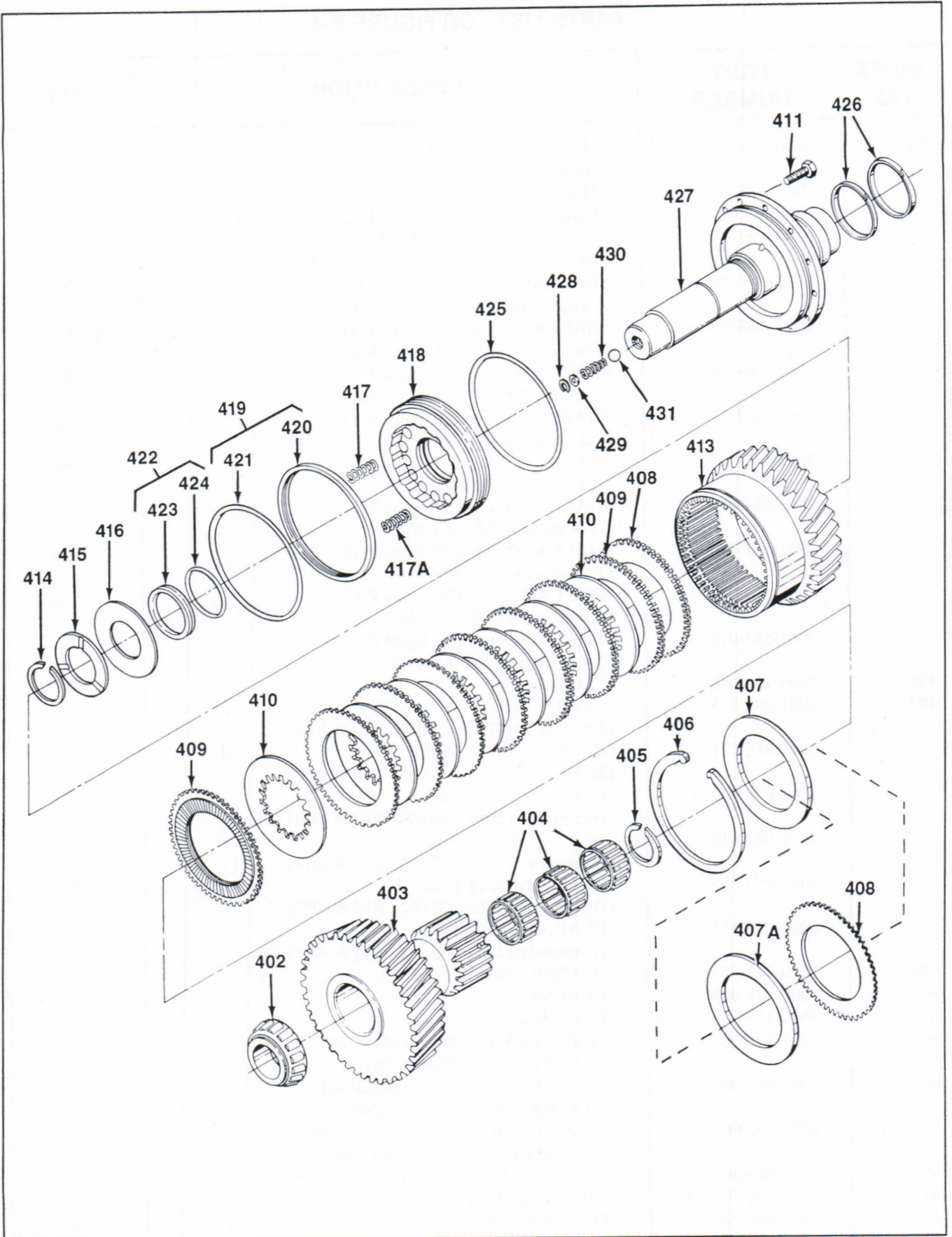


Figure P-4. Lay Shaft Assembly

PARTS LIST FOR FIGURE P-4

INDEX NO.	PART NUMBER	DESCRIPTION	QTY	
Fig P-4	2001-567-001	SHAFT ASSY, Lay (29, figure P-1) (Transmission 2001-000-001, -R01)	Ref	
	2001-567-002	SHAFT ASSY, Lay (29, figure P-1) (Transmission 2001-000-002, -R02)	Ref	
	2001-567-003	SHAFT ASSY, Lay (29, figure P-1) (Transmission 2001-000-003, -R03)	Ref	
	2001-567-004	SHAFT ASSY, Lay (29, figure P-1) (Transmission 2001-000-004, -R04)	Ref	
	2001-567-005	SHAFT ASSY, Lay (29, figure P-1) (Transmission 2001-000-005, -R05)	Ref	
	2001-567-006	SHAFT ASSY, Lay (29, figure P-1) (Transmission 2001-000-006, -R06)	Ref	
	2001-567-011	SHAFT ASSY, Lay (29, figure P-1) (Transmission 2001-000-011)	Ref	
	2001-567-012	SHAFT ASSY, Lay (29, figure P-1) (Transmission 2001-000-012)	Ref	
	2001-567-013	SHAFT ASSY, Lay (29, figure P-1) (Transmission 2001-000-013)	Ref	
	2001-567-014	SHAFT ASSY, Lay (29, figure P-1) (Transmission 2001-000-014)	Ref	
	2001-567-015	SHAFT ASSY, Lay (29, figure P-1) (Transmission 2001-000-015)	Ref	
	2001-567-016	SHAFT ASSY, Lay (29, figure P-1) (Transmission 2001-000-006)	Ref	
	402	1000-133-050	. CONE, Bearing	1
	403	2001-080-023	. GEAR, Clutch, 20 Teeth (Transmission 2001-000-006, -R06 & -016)	1
		2001-080-021	. GEAR, Clutch, 22 Teeth (Transmission 2001-000-005, -R05 & -015)	1
		2001-080-019	. GEAR, Clutch, 25 Teeth (Transmission 2001-000-004, -R04 & -014)	1
2001-080-017		. GEAR, Clutch, 29 Teeth (Transmission 2001-000-003, -R03 & -013)	1	
2001-080-015		. GEAR, Clutch, 33 Teeth (Transmission 2001-000-002, -R02 & -012)	1	
2001-080-013		. GEAR, Clutch, 37 Teeth (Transmission 2001-000-001, -R01 & -011)	1	
404		1000-132-055	. BEARING, Needle	3
405		1000-139-068	. RING, Snap	1
406	1000-139-069	. RING, Snap	1	
407	2001-062-003	. PLATE, Backing, 5.00 mm (0.200 in.) thick (Supersedes 2001-062-001)	1	
407A	2001-062-001	. PLATE, Backing, 3.00 mm (0.120 in.) thick (Superseded by 2001-062-003)	1	
408	2001-062-002	. PLATE, Clutch, Steel (2 used when 2001-062-001 is used)	1	
409	2001-666-001	. DISC ASSY, Clutch (drive)	8	
410	2001-166-002	. DISC, Clutch (driven)	7	
411	2000-183-002	. BOLT, M6 x 1.0 x 20	12	
413	2001-125-002	. CYLINDER, Clutch Gear (LH)	1	
414	1000-139-068	. RING, Snap	1	

PARTS LIST FOR FIGURE P-4

INDEX NO.	PART NUMBER	DESCRIPTION	QTY
415	1000-193-019	. WASHER, Thrust	1
416	2001-040-003	. RETAINER, Spring (Supersedes 2001-040-001)	1
417	2001-156-001	. SPRING (Transmission 2001-000-001 thru-006 AND 2001-000-R01 thru R06)	4
	2001-156-001	. SPRING (Transmission 2001-000-001 thru -016)	16
417A	2001-156-003	. SPRING (Transmission 2001-000-011 thru-006)	12
418	2001-624-001	. PISTON ASSY, Clutch (Supersedes piston 2001-124-001)	1
419	1000-516-019	. RING ASSY, Sealing	1
420	1000-016-019	. . RING, Sealing	1
421	1000-141-241	. . O-RING	1
422	1000-516-020	. RING ASSY, Sealing	1
423	1000-016-020	. . RING, Sealing	1
424	1000-149-130	. . O-RING	1
425	1000-141-045	. O-RING	1
426	2000-016-050	. RING, Oil seal (Supersedes 4806B)	1
427	2001-067-001	. SHAFT, Lay (Transmission 2001-000-001 thru -016)	1
428	2000-139-001	. RING, Snap	1
429	2000-053-001	. SPACER	1
430	72P-273	. SPRING	1
431	453595	. BALL	1