



NAPB-53  
2nd ISSUE  
AUGUST, 1978

**WITH  
NORTH AMERICAN  
ACCESSORIES**

**4.154 MARINE**

INSTRUMENT PANELS AND ASSOCIATED PARTS

MARINE ENGINES

PLEASE ADD THE FOLLOWING INFORMATION TO YOUR PARTS BOOKS COVERING MARINE ENGINES:

NA004843	INSTRUMENT PANEL "A" DUAL STATION - LOWER PANEL	
	Includes:	
NA900125	Tachometer C/W H/Meter .....	1
NA900124	Temperature Gauge .....	1
NA900123	Oil Pressure Gauge .....	1
NA900122	Volt Meter .....	1
NA900121	Ignition Switch .....	1
NA900120	Push Button Switch .....	1
NA004844	INSTRUMENT PANEL "B" SINGLE & DUAL STATION - UPPER PANEL	
	Includes:	
NA900125	Tachometer C/W H/Meter .....	1
NA900124	Temperature Gauge .....	1
NA900123	Oil Pressure Gauge .....	1
NA900122	Volt Meter .....	1
NA900121	Ignition Switch .....	1
NA900120	Push Button Switch .....	1

THE FOLLOWING PARTS MUST BE USED WITH THE NEW INSTRUMENT PANELS:

4.108 (M)

NA004854	HARNESS, engine wiring (Assembly) .....	1
NA003442	BRACKET, harness plug adaptor retaining .....	1
NA003443	CLIP, harness plug .....	1
2182003	SCREW, harness clip to plate retaining .....	2
NA003765	NUT, harness clip to plate .....	2
NA000475	NUT, alternator (batt. term.) .....	1
0748411	SETSCREW, alt. ground terminal .....	1
0920053	WASHER, spring .....	1
NA003607	CLIP, w/harness to oil cooler mtg. bracket .....	1
NA004113	SETSCREW, wiring harness clip retaining .....	1
0920022	WASHER, plain .....	1
NA003469	CABLE TIES .....	3
NA003615	CLIP, w/harness to throttle cable clip screw .....	1
NA000208	TRANSMITTER, oil pressure .....	1
NA000474	NUT, oil pressure transmitter .....	1
NA000209	TRANSMITTER, water temperature .....	1
NA000474	NUT, water transmitter .....	1

4.154 (M)

NA004855	HARNESS, engine wiring (Assembly) .....	1
NA003442	BRACKET, wiring harness .....	1
NA003443	CLAMP, wiring harness to bracket .....	1
NA000475	NUT, alternator (batt. term.) .....	1
NA000208	TRANSMITTER, oil pressure .....	1
NA000474	NUT, oil pressure transmitter .....	1
NA000209	TRANSMITTER, water temperature .....	1
NA000474	NUT, water temp. transmitter .....	1

4.236 (M)

NA004855	HARNESS, engine wiring (Assembly) .....	1
NA003442	BRACKET, wiring harness .....	1
NA003443	CLAMP, wiring harness to bracket .....	1
2182003	SCREW, clamp to harness .....	2
NA003765	NUT, clamp to harness .....	2
NA000475	NUT, alternator (batt. term.) .....	1
0748411	SETSCREW, alt. ground terminal .....	1
0920053	WASHER, spring .....	1
NA000208	TRANSMITTER, oil pressure .....	1
NA000474	NUT, oil pressure transmitter .....	1
NA000209	TRANSMITTER, water temperature .....	1
NA000474	NUT, water temp. transmitter .....	1
NA003469	CABLE TIES (3-9/16" long) .....	2

6.354 (M), T6.354 (M), T6.354 M.G.T.

NA004845	HARNESS, engine wiring (Assembly) .....	1
NA003704	BRACKET, wiring harness support clip .....	1
NA003615	CLIP, wiring harness retaining .....	1
2182003	SCREW, wiring harness clip retaining to bracket ..	1
NA003765	NUT, harness clip retaining .....	1
NA003616	TY-RAP (7-1/4" long) .....	1
NA000475	NUT, alternator (batt. term.) .....	1
0748411	SCREW, alt. ground terminal .....	1
0920053	WASHER, spring .....	1
NA003499	BRACKET, wiring harness adaptor plug retaining ..	1
NA003443	CLIP, harness plug adaptor to mtg. bracket .....	1
2182003	SCREW, adaptor clip retaining to mtg. bracket ...	2
NA003765	NUT, harness clip retaining screw .....	2
NA000208	TRANSMITTER, oil pressure .....	1
NA000474	NUT, oil pressure transmitter .....	1
NA000209	TRANSMITTER, temperature .....	1
NA000474	NUT, temperature transmitter .....	1

HT6.354 (M)

NA004855	HARNESS, engine wiring (Assembly) .....	1
NA000475	NUT, alternator (batt. term.) .....	1
0748411	SETSCREW, alt. ground terminal .....	1
0920053	WASHER, spring .....	1
NA003442	BRACKET, wiring harness adaptor plug retaining ..	1

HT6.354(M) - Continued

NA003443	CLIP, harness plug adaptor to mtg. bracket .....	1
2182003	SETSCREW, adaptor clip retaining to mtg. bracket .	2
NA003765	NUT, harness clip retaining screw .....	2
NA000208	TRANSMITTER, oil pressure .....	1
NA000474	NUT, oil pressure transmitter .....	1
NA000209	TRANSMITTER, temperature .....	1
NA000474	NUT, temperature transmitter .....	1

THE FOLLOWING WIRING HARNESS EXTENSIONS MAY BE USED WITH INSTRUMENT PANELS NA004843 and NA004844:

NA004847	HARNESS EXTENSION, 10 ft. long .....	1
NA004848	HARNESS EXTENSION, 20 ft. long .....	1
NA004849	HARNESS EXTENSION, 30 ft. long .....	1

C. F. Haskin  
Specifications & Alterations Supv.  
Service Parts Department

CFH/se

January, 1979

- INTRODUCTION -

The quantity shown in the quantity column is the number of parts used on the engine, except where parts are offset in the description column; in this case, the quantity is the number required for the preceding assembly or sub-assembly. For certain parts, such as kits, washers, etc., an "X" will be shown in the quantity column. This "X" indicates that the quantity is "as required".

INFORMATION REQUIRED

Whenever parts are ordered, it is essential that full information is given to ensure correct identification. Descriptions and part numbers should always be stated, and in the case of parts required for an individual engine, the engine type or serial number should be supplied. For example:

"Please supply for the 4.154 Marine Engine, (1) of 85827 Crankshaft Kit."

Such an order supplies all the information needed to enable your requirements to be identified accurately and your order will receive prompt attention.

SCREW THREADS

All screw threads on this engine, except on certain items of proprietary equipment, are unified series and American pipe series.

The items described in this book are correct at the time of publication. As developments are made, we reserve the right to alter or withdraw items at any time and you would be advised of the changes. This information should be entered in the appropriate pages as soon as it is received to keep your book up-to-date with the latest information.

- SECTIONAL INDEX -

	<u>PAGES</u>
<u>CYLINDER BLOCK</u> Liners, plugs, cylinder head gasket, rear end oil seal housing .....	1
<u>CYLINDER HEAD</u> Plugs, inserts, guides, rear end cover, inlet and exhaust valves, springs, caps, cotters, front and rear lifting plates, water outlet body and connection, thermostat .....	2
<u>CRANKSHAFT</u> Main and connecting rod bearing sets, crankshaft gear and pulley, p.t.o. pulley, connecting rod, pistons, ring pack ..	3
<u>CYLINDER HEAD COVER</u> Lube oil filler cap, rocker shaft, brackets, springs, levers, tappets, push rods .....	4
<u>AIR INDUCTION SYSTEM</u> Induction manifold, quick start adaptor, air filter cover, breather pipe and hose .....	5
<u>TIMING GEAR</u> Camshaft and gear, idler gear, timing gear housing and front cover, injection pump adaptor, engine timing pin ....	6-7
<u>LUBRICATING OIL SYSTEM</u> Lube oil pan, dipstick and tube, support bracket, suction and strainer pipe, lube oil pump and delivery pipe, lube oil filter and bracket, connections, flex pipes .....	8-9
<u>SEA WATER PUMP</u> Mounting bracket, pulley, belt .....	10
<u>FRESH WATER PUMP</u> Seals, rear body, pulley, hub, repair kit, water inlet connection, hose .....	11
<u>HEAT EXCHANGER &amp; HEADER TANK</u> Manifold Assembly, water outlet elbow, flange, hoses, pipes, brackets, oil cooler, adaptor, connections, flex pipe .....	12-13
<u>FUEL OIL LIFT PUMP</u> Pump, spring, repair kit .....	14
<u>FUEL OIL FILTER</u> Element kit, bracket, drip tray, delivery and return pipes, non-return valve, connections, leak-off pipe, pre-filter ..	15
<u>FUEL INJECTION SYSTEM</u> Injection pump and driving gear, injection pipes, lever, vibration damper, injector and holder assembly, leak-off pipe, brackets, springs .....	16

- SECTIONAL INDEX -

	<u>PAGES</u>
<u>FLYWHEEL &amp; HOUSING</u>	
Flywheel housing, flywheel and ring gear, adaptor plate, starter motor and spacer .....	17
<u>ELECTRICAL EQUIPMENT</u>	
Alternator brackets, alternator, cooling fan, connections, lever, pulley, belt, oil pressure and water temperature transmitters .....	18
<u>ENGINE WIRING HARNESS</u>	
Wiring harness and bracket .....	19
<u>ACCESSORIES</u>	
Throttle and stop control kit, front and rear mounting brackets, trunnions, mounts, labels, tachometer drive shaft.	20
<u>GASKET SETS</u>	
Top and bottom overhaul gasket sets .....	21

- NUMERICAL INDEX -

<u>PART NO.</u>	<u>PAGE</u>	<u>PART NO.</u>	<u>PAGE</u>	<u>PART NO.</u>	<u>PAGE</u>
33435	.....16	0180069	.....12,13	0746424	.....17
38360	.....16	0180070	.....5	0746452	.....2,15
68452	.....1	0180107	.....11	0746454	.....17
85827	.....3	0180173	.....15	0746807	.....6
85833	.....4	0180182	.....8	0746851	.....12
86769	.....3	0180831	.....4	0748411	.....18
86769C	.....3	0200007	.....5	0748413	.....8,12
86820	.....3	0200080	.....11	0748414	.....18
86820A	.....3	0201091	.....15	0748524	.....10
86820B	.....3	0201397	.....15	0748525	.....12
86820C	.....3	0240568	.....5	0748611	.....20
86825	.....3	0350009	.....7	0770101	.....20
86825A	.....3	0350016	.....17	0780224	.....14
86825B	.....3	0490184	.....2	0780268	.....16
86825C	.....3	0490685	.....16	0826004	.....8
86956	.....11	0490775	.....8	0826201	.....6
86999	.....21	0490786	.....15	0826203	.....6
88994	.....21	0500009	.....6	0826218	.....16
89180	.....2	0520463	.....16	0826232	.....10,12
89213	.....3	0566003	.....14,15	0826243	.....12
89213C	.....3	0571415	.....8,12	0826244	.....2
0050358	.....20	0576001	.....8,20	0826248	.....14
0070101	.....10	0576002	..6,10,14,16	0826249	.....11
0095315	.....16	0576051	..2,15,17,18	0826256	.....6
0095332	.....15	0576053	.....20	0826438	.....17
0095344	.....15	0576054	.....9	0826444	.....2
0096032	.....8	0576064	.....2,9,12	0826463	.....18
0096201	.....7,16	0576102	.....6	0826612	.....17
0096231	.....1,5	0576112	.....15	0920002	.....8
0096237	.....8	0576151	.....4,11	0920003	.....6,7,10, 12,16.
0096238	.....1,11	0576153	.....8	0920004	.....2,10,18
0096239	.....6	0650204	.....15	0920051	.....17
0096240	.....6	0650205	.....1	0920052	.....8,9,20
0096241	..2,6,10,11	0650507	.....4	0920053	1,2,5,6,7,8, 9,10,11,12, 14,16,17,18.
0096242	.....2	0650593	.....1	0920054	..2,3,10,12, 15,17,18.
0096431	.....15,17	0650594	.....5,9	0920055	.....9,13,20
0096432	.....2	0650722	.....8	0920056	.....12
0096433	.....17	0726505	.....16	0920113	.....16
0096436	.....3	0746015	.....8	0920127	.....15
0096444	.....18	0746053	.....8	0920146	.....15
0096631	.....13,20	0746211	.....2,5,6	0920154	.....15
0096634	.....20	0746213	.....6	0920155	.....1
0096638	.....9	0746252	.....1	0920296	.....20
0170001	.....3	0746253	.....6,20	0920299	.....20
0170052	.....20	0746254	.....2,7	0920497	.....18
0180063	.....5	0746255	.....6,8,11	0921167	.....8
0180065	.....12				
0180066	.....12				



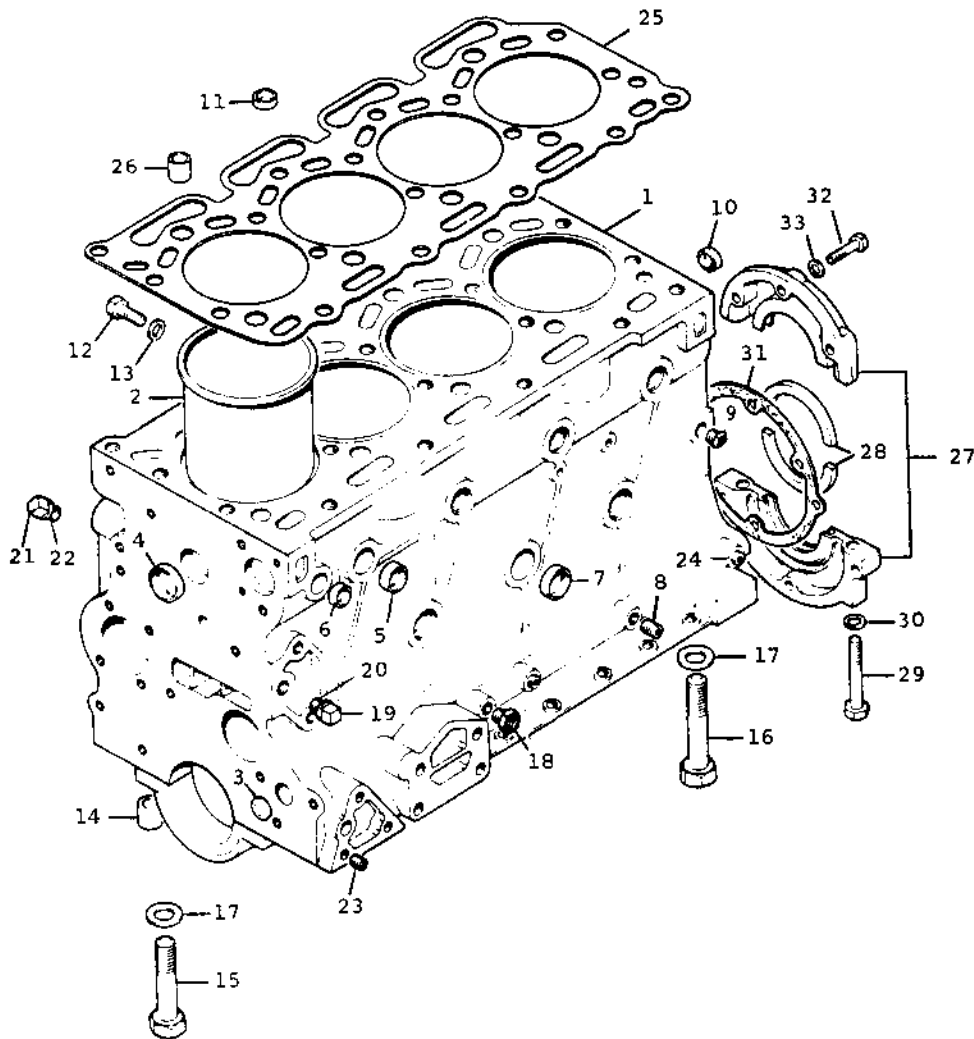
- NUMERICAL INDEX -

<u>PART NO.</u>	<u>PAGE</u>	<u>PART NO.</u>	<u>PAGE</u>	<u>PART NO.</u>	<u>PAGE</u>
0921176	.....16	24870001	.....4	32412111	.....2
2116078	.....16	26410063	.....14	32413121	.....6
2134177	.....17	26560014	.....15	32416108	.....1
2137435	.....8	26560017	.....15	32417114	.....20
2173706	.....20			32417131	.....1
2182003	.....19	31134138	.....3	32417139	.....1
2182110	.....1	31134139	.....6	32417141	.....1
2182122	.....17	31134158	.....4	32417142	.....1
2184435	.....8	31137421	.....3	32417148	.....1
2184463	.....17	31137422	.....3	32418118	.....2
		31137422	.....3	32418119	.....1
		31137431	.....3	32514309	.....4
2211224	.....4, 18	31137432	.....3	32514311	.....16
2211291	.....16	3113M002	.....11	32712715	.....8
2211401	.....19	31141645	.....18	32717109	.....6
2224933	.....9	31146741	.....3	32722511	.....2
2238151	.....9	31147301	.....3	32754421	.....4
2238153	.....10, 12	31161147	.....17	32762119	.....3
		31171091	.....3	32811104	.....20
2411141	.....15	31171191	.....6		
2411152	.....1, 6, 7	31171982	.....16	33115129	.....17
2411160	.....8	31358119	.....1	33117119	.....1, 2
2411162	.....8	31415312	.....6	33117121	.....17
2415217	.....11	31431491	.....2	33117418	.....4
2415340	.....6	31431501	.....2	33124119	.....3
2417204	.....11	31434181	.....4	33138104	.....1
2431154	.....2, 11	31434311	.....4	33172117	.....6
2481889	.....12	31718104	.....16	33173112	.....2
2481890	.....12, 13	31718105	.....16	33221323	.....3
2485613	.....2	31733125	.....6	33225412	.....15
2485731	.....2	31742128	.....8	33225413	.....15
2485740	.....1	31743113	.....4	33261742	.....2
2487004	.....8	31744139	.....2	33413121	.....11
2487805	.....4	31745124	.....2	33415134	.....2
		31751107	.....16	33423132	.....2
2577533	.....3	31785434	.....8	33427119	.....4
		31815577	.....20	33473107	.....20
2641327	.....14			33474004	.....3
2644951	.....16	32114131	.....4	33531123	.....4
2645580	.....16	32114134	.....8	33532128	.....15
2654407	.....9	32114441	.....17	33533103	.....8
2656084	.....15	32114481	.....1	33533112	.....14, 15
2656613	.....15	32116004	.....1	33536459	.....5
2658201	.....15	32116005	.....2	33811112	.....15
		32161114	.....1	33811113	.....15
2871954	.....18	32161317	.....8	33811115	.....15
		32162316	.....3	33812108	.....8
24860155	.....12	32166208	.....2	33817122	.....4
24860160	.....12	32166209	.....2	33817409	.....2
24860161	.....12	32166211	.....1	33855118	.....13
24860162	.....12	32166212	.....1		
24860163	.....12	32186128	.....7	34821415	.....5

- NUMERICAL INDEX -

<u>PART NO.</u>	<u>PAGE</u>	<u>PART NO.</u>	<u>PAGE</u>	<u>PART NO.</u>	<u>PAGE</u>
35355346	.....16	37766712	.....12	NA003423	.....15
35355347	.....16	37787692	.....5	NA003424	.....18
35355348	.....16	37814129	.....4	NA003425	.....17
35355349	.....16			NA003426	.....13
35587366	.....16	41115041	.....6	NA003428	.....10
35833535	.....20	41151466	.....4	NA003432	.....13
35833594	.....15	41152908	.....3	NA003433	.....9
35845052	.....15	41222235	.....15	NA003434	.....9
		41242806	.....8	NA003437	.....9
36177424	.....2	41312418	.....11	NA003439	.....18
36511123	.....16	41326025	.....12	NA003440	.....15
36811121	.....4	41422031	.....1	NA003441	.....19
36812328	.....1	41422923	.....6	NA003442	.....19
36813149	.....6	41424135	.....8	NA003443	.....19
36822522	.....11	41424208	.....8	NA003446	.....5
36826118	.....1			NA003448	.....15
36831121	.....8	NA000208	.....18	NA003449	.....16
36832125	.....8	NA000209	.....18	NA003450	.....16
36834132	.....11	NA000227	.....12	NA003451	.....12
36835108	.....6	NA000468	.....20	NA003452	.....12
36841135	.....12	NA000474	.....18	NA003453	.....13
36844116	.....16	NA000475	.....18	NA003454	.....11
36846126	.....2	NA000571	.....13	NA003460	.....12
36847128	.....2	NA000594	.....20	NA003474	.....9
36862165	.....14	NA000623	.....17	NA003476	.....9
36862517	.....9	NA000631	.....9	NA003477	.....20
36862525	.....13	NA000721	.....18	NA003478	.....20
36863117	.....7	NA000904	.....18	NA003480	.....12
36866201	.....5			NA003482	.....20
36866442	.....12	NA001253	.....9	NA003484	.....20
36867149	.....11	NA001309	.....20	NA003670	.....17
3687T001	.....6	NA001458	.....20	NA003671	.....17
36883107	.....1	NA001471	.....20	NA004146	.....20
		NA001473	.....20	NA004473	.....20
37134844	.....17	NA001489	.....9	NA004800	.....18
37161432	.....6	NA001699	.....20		
37426472	.....12	NA001706	.....20	NA900085	.....17
37443751	.....2	NA001860	.....13	NA900087	.....8
37461105	.....6	NA001905	.....18	NA900088	.....8
37467761	.....6				
37521361	.....4	NA003347	.....18		
37521371	.....4	NA003348	.....18		
37521381	.....4	NA003406	.....17		
37537511	.....7	NA003407	.....20		
37551115	.....2	NA003410	.....2		
37581172	.....15	NA003412	.....9		
37586241	.....9	NA003413	.....12		
37712412	.....11	NA003414	.....13		
37727718	.....8	NA003416	.....3		
37731321	.....12,13	NA003419	.....10		
37764181	.....9	NA003421	.....10		
37766051	.....2	NA003422	.....8		

- CYLINDER BLOCK -

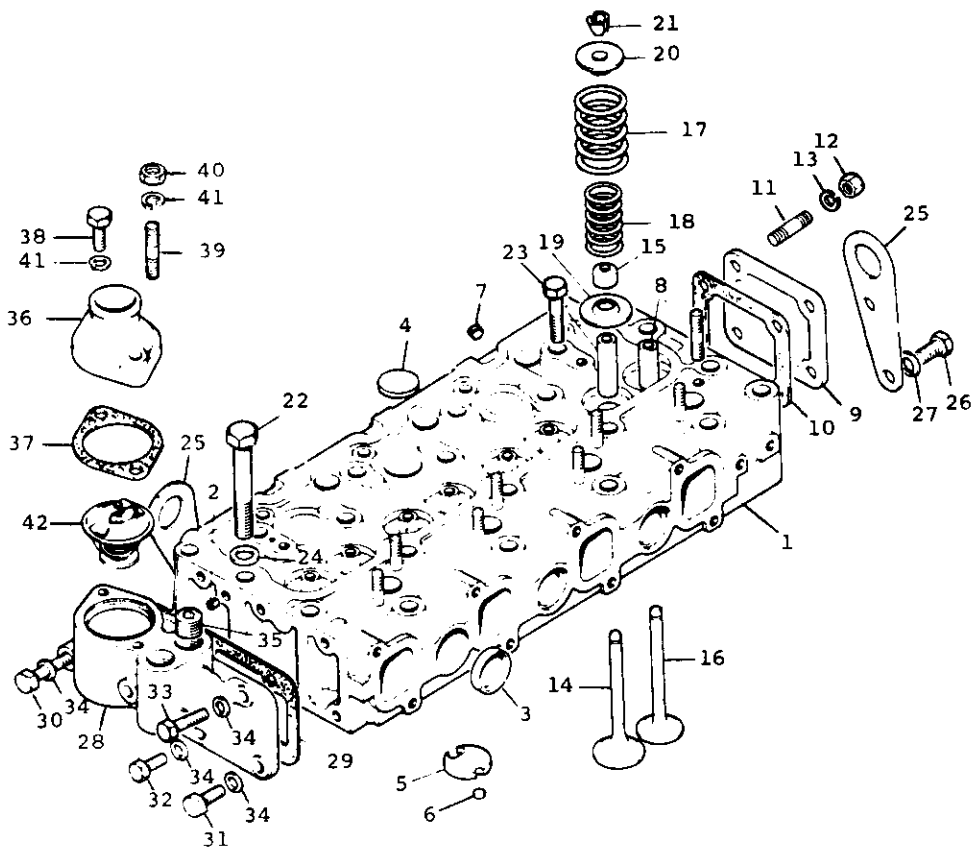


- CYLINDER BLOCK -

<u>NOTE</u>	<u>REF. NO.</u>	<u>PART NO.</u>	<u>DESCRIPTION</u>	<u>QTY.</u>
	1	68452	CYLINDER BLOCK (ASSEMBLY) .....	1
			Includes:	
	2	31358119	LINER, cylinder block .....	4
	3	32417139	PLUG, block - water jacket .....	1
	4	32416108	PLUG, block - tappet chamber .....	4
	5	32417142	PLUG, block - water rail - LHS .....	4
	6	32417141	PLUG, block - water rail - LHS front.	1
	7	32418119	PLUG, block - water jacket .....	7
	8	32116004	PLUG, block - lube oil pressure rail.	4
	9	32417148	PLUG, block - pressure rail - front and rear .....	2
	10	2485740	PLUG, block - camshaft chamber - rear face .....	1
	11	32417131	PLUG, block - lube oil pump chamber .	1
	12	2182110	SCREW, block - lube oil pump housing top hole .....	1
	13	0920155	WASHER, sealing .....	1
	14	33138104	THIMBLE, main bearing cap .....	10
	15	32166212	SETSCREW, front & middle bearing cap.	8
	16	32166211	SETSCREW, rear bearing cap .....	2
	17	33117119	WASHER, main bearing cap setscrew .....	10
	18	0650593	PLUG, water drain - LHS .....	1
	19	0650205	PLUG, block - fuel pump drive oil feed .	1
	20	0920155	WASHER, cyl. block plug .....	1
	21	0746252	PLUG, block - lube oil filler facing ..	2
	22	2411152	WASHER, cyl. block plug .....	2
	23	32114481	PLUG, block - bearer facings .....	6
	24	32161114	PLUG, block - water drain tapping .....	2
	25	36812328	GASKET, cyl. head to cyl. block .....	1
	26	33138104	THIMBLE, cyl. head gasket locating ....	2
	27	41422031	HOUSING, REAR END OIL SEAL (ASSEMBLY) ..	1
			Includes:	
	28	36883107	SEAL, oil .....	2
	29	0096238	SETSCREW, oil seal housing .....	2
	30	0920053	WASHER, spring .....	2
	31	36826118	GASKET, oil seal housing to cyl. block .	1
	32	0096231	SETSCREW, housing to block & brg. cap ..	6
	33	0920053	WASHER, spring .....	6

NOTE: See Accessories Section for  
tachometer drive shaft, etc.

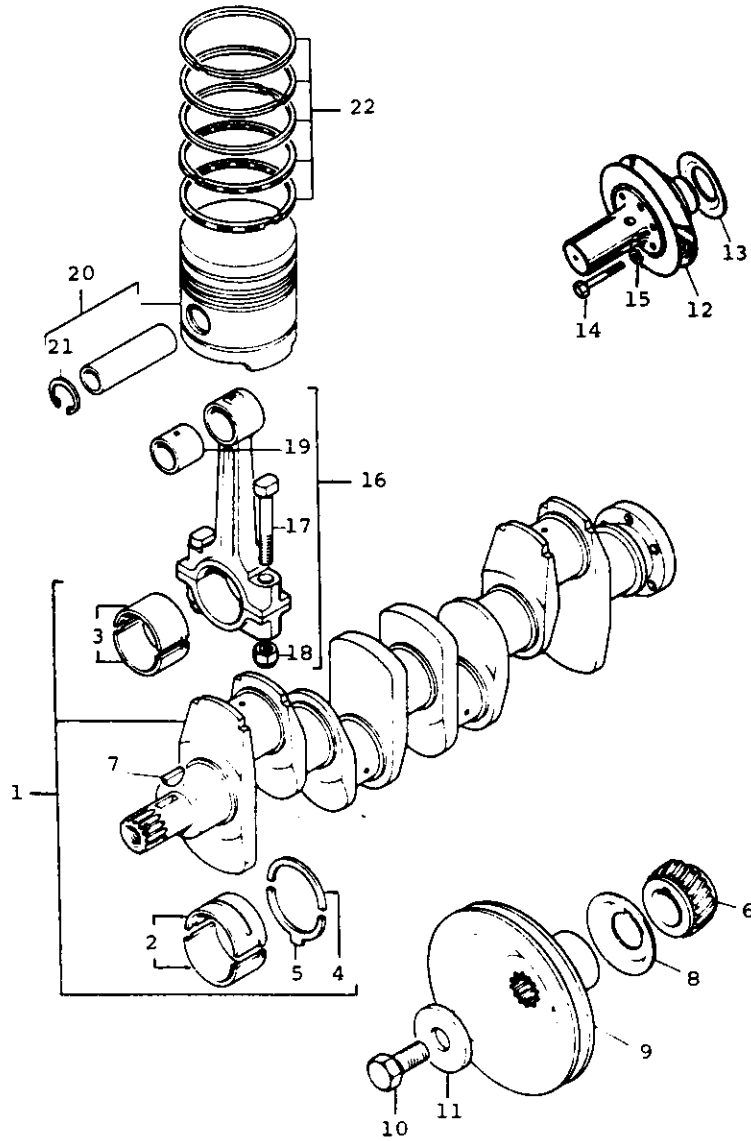
- CYLINDER HEAD -



- CYLINDER HEAD -

<u>NOTE</u>	<u>REF. NO.</u>	<u>PART NO.</u>	<u>DESCRIPTION</u>	<u>QTY.</u>
	1	89180	CYLINDER HEAD (ASSEMBLY) .....	1
			Includes:	
	2	32116005	PLUG, cylinder head .....	1
	3	32418118	PLUG, cylinder head .....	7
	4	32412111	PLUG, cylinder head .....	3
	5	37443751	INSERT, combustion chamber .....	4
	6	2485731	WASHER, insert locating .....	4
	7	32722511	INSERT, water jet .....	4
	8	33261742	GUIDE, inlet & exhaust valve .....	8
	9	37551115	COVER, cyl. head rear end .....	1
	10	36847128	GASKET, rear end cover .....	1
	11	0826244	STUD, rear end cover .....	4
	12	0576064	NUT, cover retaining .....	4
	13	0920053	WASHER, spring .....	4
	14	31431491	VALVE, inlet .....	4
	15	33817409	DEFLECTOR, inlet valve .....	4
	16	31431501	VALVE, exhaust .....	4
	17	31745124	SPRING, outer .....	8
	18	31744139	SPRING, inner .....	8
	19	33415134	WASHER, spring seating .....	8
	20	33423132	CAP, valve spring .....	8
	21	33173112	COTTER, cap retaining .....	8 Pr.
	22	32166208	SETSCREW, cyl. head to cyl. block .....	13
	23	32166209	SETSCREW, cyl. head to cyl. block .....	7
	24	33117119	WASHER, plain .....	20
	25	36177424	PLATE, engine lifting - front .....	1
	26	0746452	SETSCREW, lifting plate to cyl. head ..	2
	27	0920054	WASHER, spring .....	2
	25	36177424	PLATE, engine lifting - rear .....	1
	26	0746452	SETSCREW, lifting plate to cyl. head ..	2
	27	0920054	WASHER, spring .....	2
	28	37766051	BODY, water outlet - cylinder head .....	1
	29	36846126	GASKET, water outlet body to cyl. head .	1
	30	0096241	SETSCREW, outlet body to cylinder head .	1
	31	0746211	SETSCREW, outlet body to cylinder head .	3
	32	0746254	SETSCREW, outlet body to cylinder head .	1
	33	0096242	SETSCREW, outlet body to cylinder head .	1
	34	0920053	WASHER, spring .....	6
	35	2431154	PLUG, water outlet body .....	1
	36	NA003410	CONNECTION, cyl. head water outlet .....	1
	37	0490184	GASKET, water outlet connection .....	1
	38	0096432	SETSCREW, outlet conn. to outlet body ..	1
	39	0826444	STUD, body to connection .....	1
	40	0576051	NUT, outlet connection retaining .....	1
	41	0920004	WASHER, plain .....	2
	42	2485613	THERMOSTAT .....	1

- CRANKSHAFT -



- CRANKSHAFT -

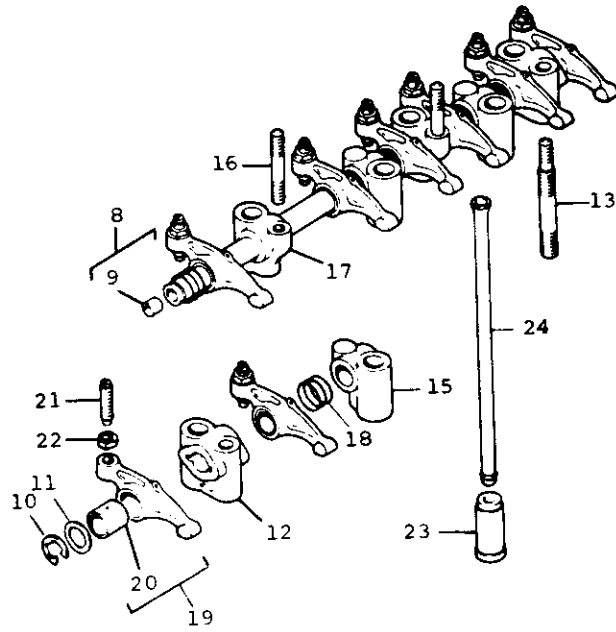
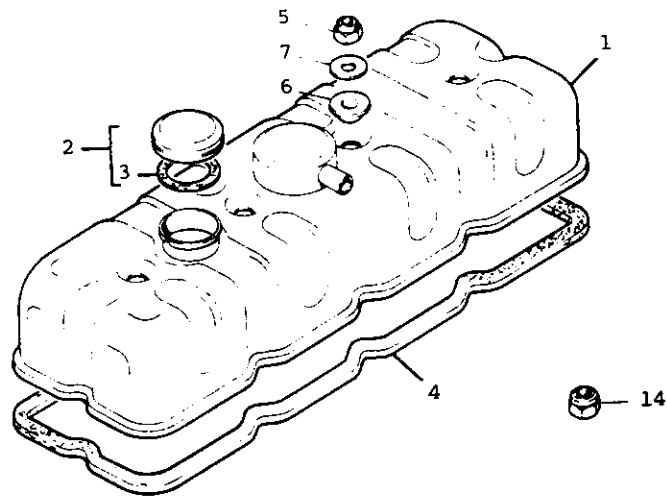
<u>NOTE</u>	<u>REF. NO.</u>	<u>PART NO.</u>	<u>DESCRIPTION</u>	<u>QTY.</u>
	1	85827	CRANKSHAFT KIT (ASSEMBLY) .....	1
			Includes:	
	2	86820	BEARING SET, crankshaft main - std. .	1
	3	86825	BEARING SET, conn. rod - big end ...	1
	4	31137421	THRUSTWASHER, top .....	2
	5	31137431	THRUSTWASHER, bottom .....	2
	2	86820A	BEARING SET, crankshaft main (-.010") ..	X
	2	86820B	BEARING SET, crankshaft main (-.020") ..	X
	2	86820C	BEARING SET, crankshaft main (-.030") ..	X
	3	86825A	BEARING SET, connecting rod (-.010") ...	X
	3	86825B	BEARING SET, connecting rod (-.020") ...	X
	3	86825C	BEARING SET, connecting rod (-.030") ...	X
	4	31137422	THRUSTWASHER, top (+.007") .....	X
	5	31137432	THRUSTWASHER, bottom (+.007") .....	X
	6	31171091	GEAR, crankshaft .....	1
	7	2577533	KEY, crankshaft gear .....	1
	8	33474004	FLANGE, crankshaft oil thrower .....	1
	9	31147301	PULLEY, crankshaft .....	1
	10	32162316	SCREW, pulley retaining .....	1
	11	33124119	WASHER, retaining screw .....	1
	12	31146741	PULLEY, power take-off .....	1
	13	NA003416	SPACER, p.t.o. pulley .....	1
	14	0096436	SETSCREW, p.t.o. pulley to crankshaft pulley .....	3
	15	0920054	WASHER, spring .....	3
	16	41152908	CONNECTING ROD (ASSEMBLY) .....	4
			Includes:	
	17	32762119	BOLT, conn. rod .....	2
	18	33221323	NUT, conn. rod cap retaining .....	2
	19	31134138	BUSHING, conn. rod - small end .....	1
	20	89213	PISTON, STD. (ASSEMBLY) (c/w wrist pin) .	4
			Includes:	
	21	0170001	SNAP RING, wrist pin retaining .....	2
(A)	22	86769	RING PACK, std. .....	4
	20	89213C	PISTON, (+.030") c/w wrist pin .....	X
			Includes:	
	21	0170001	SNAP RING, wrist pin retaining .....	2
(A)	22	86769C	RING PACK, (+.030") .....	X

Note:

(A) Contains rings for one piston.



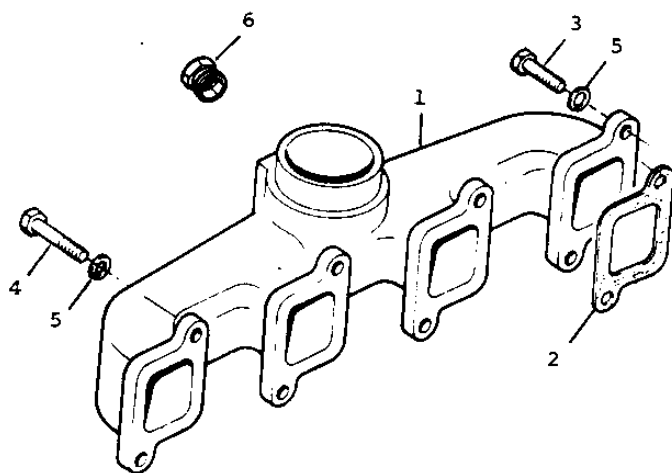
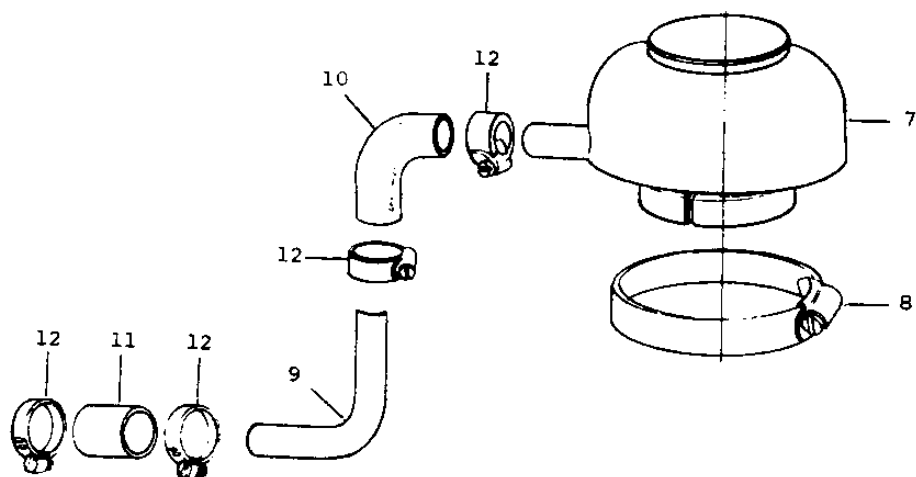
- CYLINDER HEAD COVER -



- CYLINDER HEAD COVER -

<u>NOTE</u>	<u>REF. NO.</u>	<u>PART NO.</u>	<u>DESCRIPTION</u>	<u>QTY.</u>
	1	37814129	COVER, cylinder head (Assembly) .....	1
	2	2487805	CAP, lube oil filler .....	1
	3	24870001	Includes: GASKET, cap .....	1
	4	36811121	GASKET, cyl. head cover to cyl. head ..	1
	5	33531123	NUT, cyl. head cover retaining .....	4
	6	33817122	SEAL, retaining nut .....	4
	7	33427119	WASHER, seal retaining .....	4
	8	85833	ROCKER SHAFT (ASSEMBLY) .....	1
	9	0650507	Includes: PLUG, rocker shaft end .....	2
	10	0180831	SNAP RING, rocker shaft retaining .....	2
	11	33117418	WASHER, rocker shaft end .....	2
	12	37521371	BRACKET, rocker shaft .....	2
	13	32754421	STUD, long - bracket to cyl. head .....	2
	14	2211224	NUT, No. 1 & No. 7 bracket retaining ..	2
	15	37521381	BRACKET, rocker shaft .....	2
	16	32514309	STUD, bracket to cyl. head cover .....	2
	17	37521361	BRACKET, rocker shaft .....	3
	18	31743113	SPRING, rocker shaft .....	6
	19	41151466	LEVER, rocker shaft (Assembly) .....	8
	20	31134158	Includes: BUSHING, lever .....	1
	21	32114131	SCREW, tappet adjusting .....	1
	22	0576151	LOCKNUT, adjusting screw .....	1
	23	31434181	TAPPET .....	8
	24	31434311	PUSH ROD .....	8

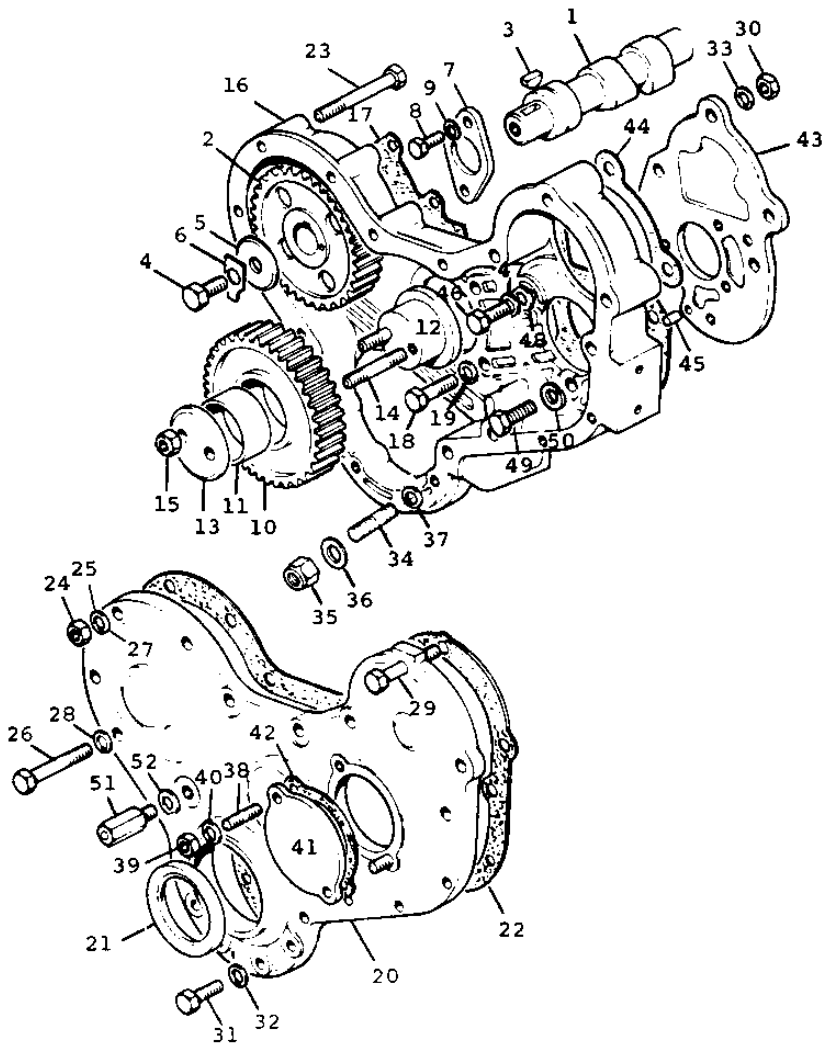
- AIR INDUCTION SYSTEM -



- AIR INDUCTION SYSTEM -

<u>NOTE</u>	<u>REF. NO.</u>	<u>PART NO.</u>	<u>DESCRIPTION</u>	<u>QTY.</u>
	1	37787692	MANIFOLD, induction .....	1
	2	36866201	GASKET, cyl. head to induction manifold.	4
	3	0746211	SETSCREW, manifold to cyl. head .....	7
	4	0096231	SETSCREW, manifold to cyl. head .....	1
	5	0920053	WASHER, spring .....	8
	6	33536459	ADAPTOR, quick start .....	1
	-	0650594	PLUG, adaptor .....	1
	7	0240568	COVER, air filter .....	1
	8	0180070	CLAMP, air filter cover .....	1
	9	NA003446	PIPE, breather - air filter to cyl. head rocker cover .....	1
	10	34821415	HOSE, breather pipe .....	1
	11	0200007	CONNECTION, hose .....	1
	12	0180063	CLAMP, hose .....	4

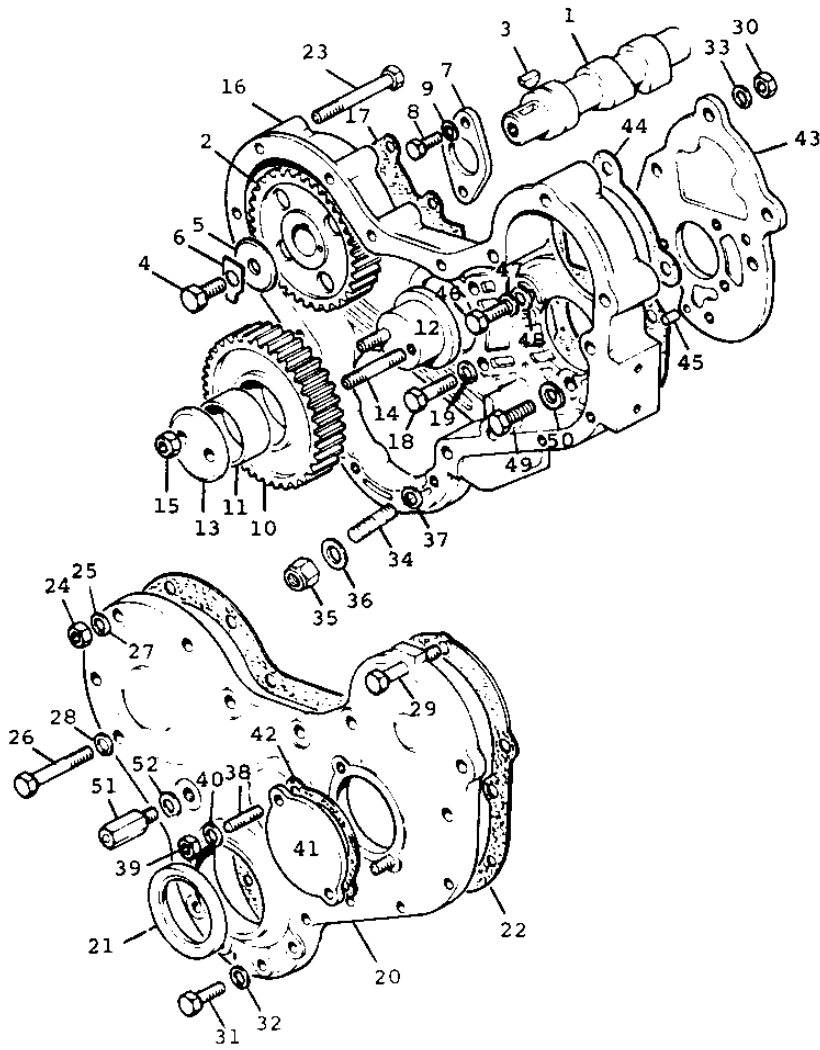
- TIMING GEAR -



- TIMING GEAR -

<u>NOTE</u>	<u>REF. NO.</u>	<u>PART NO.</u>	<u>DESCRIPTION</u>	<u>QTY.</u>
	1	31415312	CAMSHAFT .....	1
	2	31171191	GEAR, camshaft .....	1
	3	0500009	KEY, camshaft gear .....	1
	4	0746807	SETSCREW, camshaft gear to camshaft ...	1
	5	33172117	WASHER, gear retaining .....	1
	6	31733125	TABWASHER, retaining screw .....	1
	7	37467761	PLATE, camshaft thrust .....	1
	8	0746253	SETSCREW, plate to cylinder block .....	2
	9	0920053	WASHER, spring .....	2
	10	41115041	GEAR, idler (Assembly) .....	1
			Includes:	
	11	31134139	BUSHING, idler gear .....	1
	12	32717109	HUB, idler gear .....	1
	13	32413121	PLATE, idler gear retaining .....	1
	14	0826256	STUD, cyl. block to idler gear hub .....	2
	15	0576102	NUT, hub retaining .....	2
	16	37161432	HOUSING, timing gear .....	1
	17	3687T001	GASKET, housing to cylinder block .....	1
	18	0746255	SETSCREW, housing to block .....	7
	19	0920053	WASHER, spring .....	7
	20	41422923	COVER, front - timing gear housing .....	1
			Includes:	
	21	2415340	SEAL, front cover .....	1
	22	36813149	GASKET, front cover to timing gear hsg..	1
	23	0096239	BOLT, front cover to housing .....	2
	24	0576002	NUT, front cover retaining .....	2
	25	0920053	WASHER, spring .....	2
	26	0746213	SETSCREW, front cover to timing gear housing and cyl. block .....	7
	27	0920053	WASHER, spring .....	5
	28	2411152	WASHER, hsg. & cover to block screw ...	2
	29	0096240	BOLT, front cover to housing .....	2
	29	0096241	BOLT, front cover to housing .....	1
	30	0576002	NUT, front cover to housing .....	3
	31	0746211	SETSCREW, front cover to housing .....	6
	32	0920053	WASHER, spring .....	9
	33	0920003	WASHER, plain .....	3
	34	0826201	STUD, housing to front cover .....	1
	35	0576002	NUT, front cover retaining .....	1
	36	0920053	WASHER, spring .....	1
	37	0920003	WASHER, plain .....	1
	38	0826203	STUD, front cover to f/pump gear cover .	2
	39	0576002	NUT, f/pump gear cover retaining .....	2
	40	0920053	WASHER, spring .....	2
	41	37461105	COVER, fuel pump drive gear .....	1
	42	36835108	GASKET, f/cover to f/pump gear cover ..	1

- TIMING GEAR -

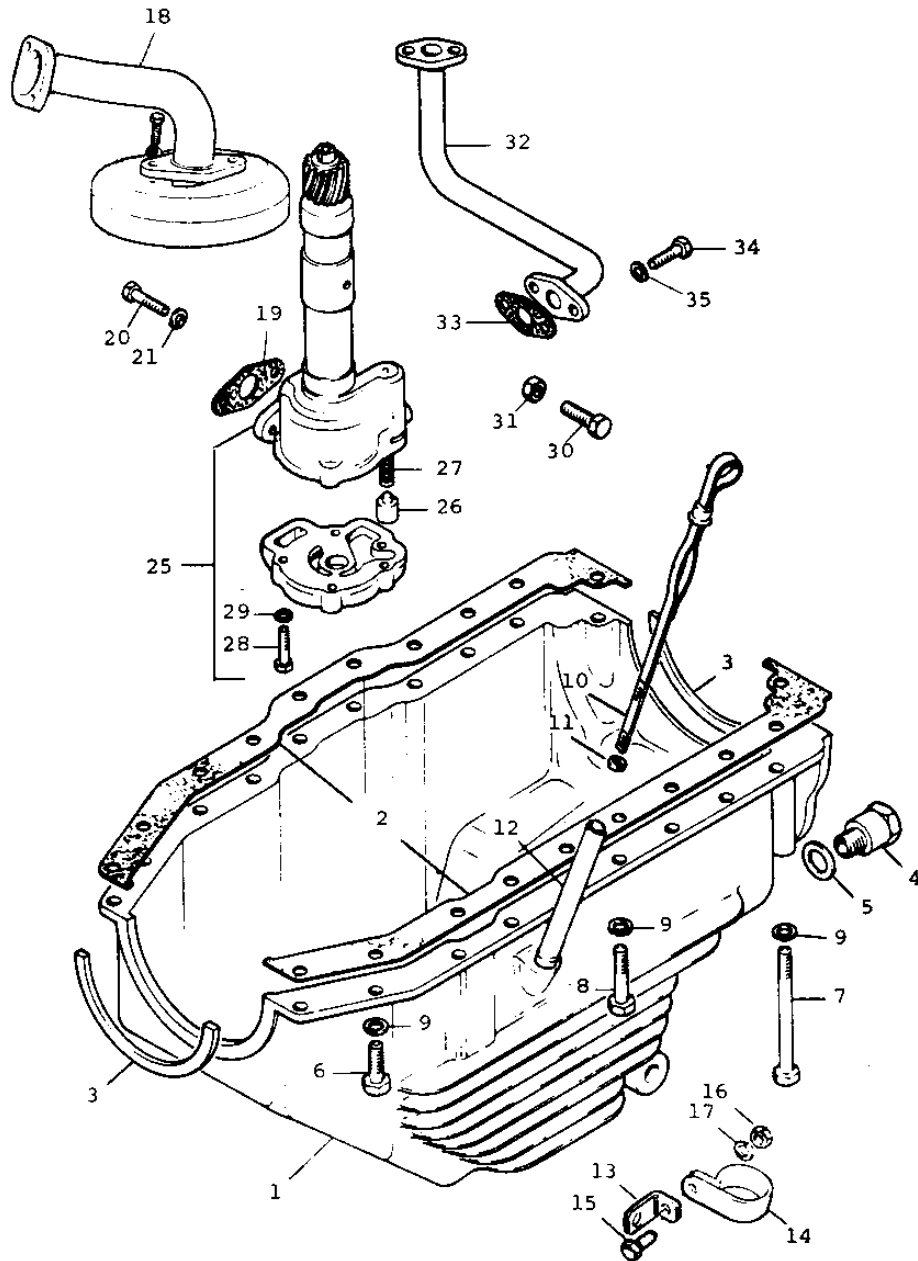


- TIMING GEAR -

<u>NOTE</u>	<u>REF. NO.</u>	<u>PART NO.</u>	<u>DESCRIPTION</u>	<u>QTY.</u>
	43	37537511	ADAPTOR, fuel injection pump .....	1
	44	36863117	GASKET, timing gear housing to fuel pump adaptor .....	1
	45	0350009	DOWEL, housing to adaptor .....	1
	46	0746254	SETSCREW, housing to adaptor .....	3
	47	0920053	WASHER, spring .....	3
	48	0920003	WASHER, plain .....	3
	49	0096201	SETSCREW, adaptor to timing gear hsg. ..	1
	50	0920053	WASHER, spring .....	1
	51	32186128	PIN, engine timing .....	1
	52	2411152	WASHER, timing pin .....	1



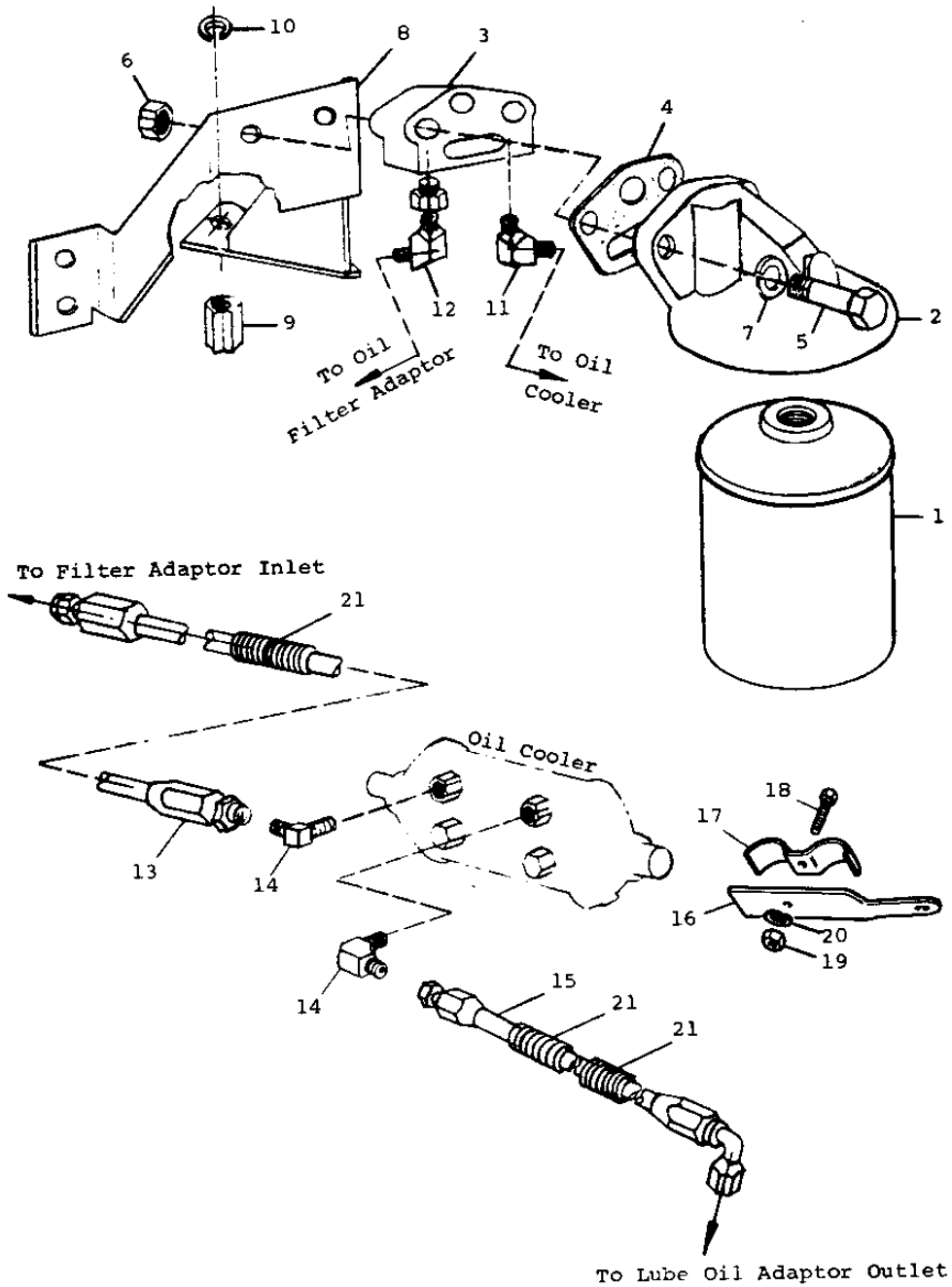
- LUBRICATING OIL SYSTEM -



- LUBRICATING OIL SYSTEM -

<u>NOTE</u>	<u>REF. NO.</u>	<u>PART NO.</u>	<u>DESCRIPTION</u>	<u>QTY.</u>
	1	41424135	LUBE OIL PAN (ASSEMBLY) .....	1
			Includes:	
		2137435	INSERT, helicoil .....	2
	2	41424208	GASKET, oil pan to cyl. block .....	1
	3	0490775	GASKET, oil pan - front and rear .....	2
	4	2487004	PLUG, oil pan drain .....	2
	5	2411160	WASHER, drain plug .....	2
	4	0650722	PLUG, oil pan drain .....	1
	5	2411162	WASHER, oil pan plug .....	1
	4	32161317	PLUG, oil pan - alt. dipstick hole ....	1
	5	0921167	WASHER, oil pan plug .....	1
	6	0746255	SETSCREW, oil pan to timing gear hsg. ..	2
	7	2184435	SETSCREW, long - oil pan to block .....	2
	8	0746255	SETSCREW, oil pan to block .....	13
	8	0096237	SETSCREW, oil pan to block .....	3
	9	0920053	WASHER, spring .....	20
	10	31785434	DIPSTICK, lube oil (Assembly) .....	1
			Includes:	
	11	33812108	WASHER, dipstick .....	1
	12	41242806	TUBE, lube oil dipstick (Assembly) ....	1
			Includes:	
		33533103	NUT, dipstick tube .....	1
	13	NA003422	BRACKET, dipstick tube support .....	1
	14	0180182	CLIP, support bracket .....	1
	15	0748413	SETSCREW, clip to bracket .....	1
	16	0571415	NUT, clip retaining .....	1
	17	0920053	WASHER, spring .....	1
	18	37727718	PIPE, lube oil suction & strainer (Assy)	1
	19	36832125	GASKET, suction pipe to lube oil pump ..	1
	-	0826004	STUD, suction pipe to pump .....	2
	-	0576001	NUT, suction pipe retaining .....	2
	-	0920052	WASHER, spring .....	2
	20	0746015	SETSCREW, suction pipe bracket to lube oil pump body .....	1
	21	0920002	WASHER, plain .....	1
	25	NA900087	LUBE OIL PUMP (ASSEMBLY) .....	1
			Includes:	
	26	32712715	PLUNGER, relief valve .....	1
	27	31742128	SPRING, relief valve .....	1
	28	0096032	SETSCREW, cover to body .....	5
	29	0920052	WASHER, spring .....	5
	30	32114134	SCREW, pump body locating .....	1
	31	0576153	NUT, screw locking .....	1
	32	NA900088	PIPE, lube oil delivery (Assembly) ....	1
	33	36831121	GASKET, delivery pipe .....	1
	34	0746053	SETSCREW, delivery pipe .....	4
	35	0920052	WASHER, spring .....	4

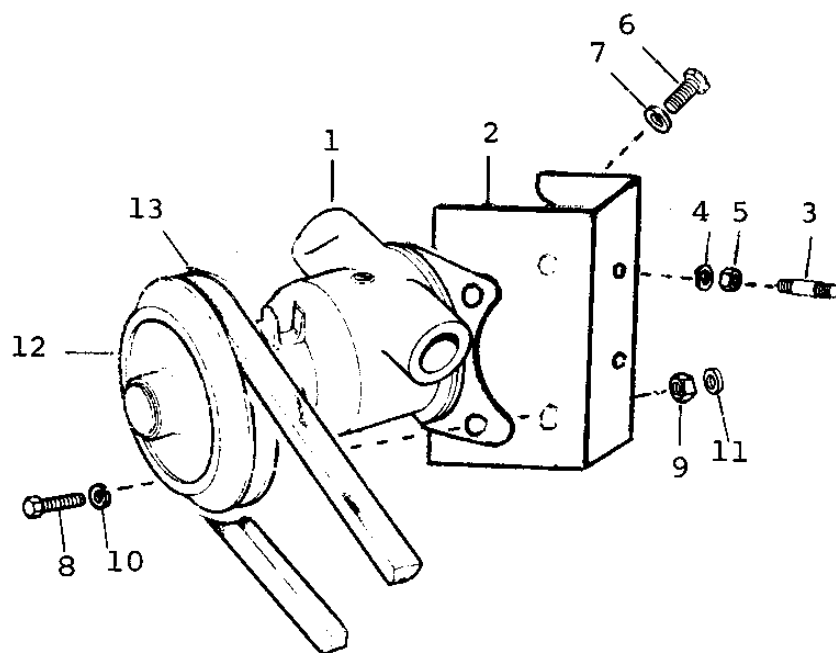
- LUBRICATING OIL SYSTEM -



- LUBRICATING OIL SYSTEM -

<u>NOTE</u>	<u>REF. NO.</u>	<u>PART NO.</u>	<u>DESCRIPTION</u>	<u>QTY.</u>
	1	2654407	FILTER, lube oil .....	1
	2	37764181	HEAD, lube oil filter .....	1
	3	37586241	ADAPTOR, lube oil filter .....	1
	4	36862517	GASKET, filter adaptor .....	1
	5	0096638	BOLT, filter & adaptor to support brkt..	2
	6	0576054	NUT, filter & adaptor retaining .....	2
	7	0920055	WASHER, spring .....	2
	8	NA003412	BRACKET, support - lube oil filter ....	1
	9	0576064	NUT, support bracket retaining - to cyl. head rear cover studs .....	4
	10	0920053	WASHER, spring .....	4
	11	NA001253	CONNECTION, 45° lube oil filter adaptor - in .....	1
	12	NA000631	CONNECTION, 45° lube oil filter adaptor - out .....	1
	13	NA003433	PIPE, flex - filter adaptor to oil cooler .....	1
	14	NA003474	CONNECTION, elbow - cooler in and out ..	2
	15	NA003434	PIPE, flex - oil cooler to cyl. block lube oil adaptor .....	1
	16	NA003437	BRACKET, support - flex pipes to starter motor retaining studs .....	1
	17	NA003476	CLAMP, flex pipes retaining .....	3
	18	2224933	SCREW, pipe clamp retaining .....	2
	19	2238151	NUT, clamp retaining screw .....	2
	20	0920052	WASHER, spring .....	2
	21	NA001489	GUARD, flex hose .....	1
	-	0650594	PLUG, fitted in lube oil adaptor .....	2

- SEA WATER PUMP -



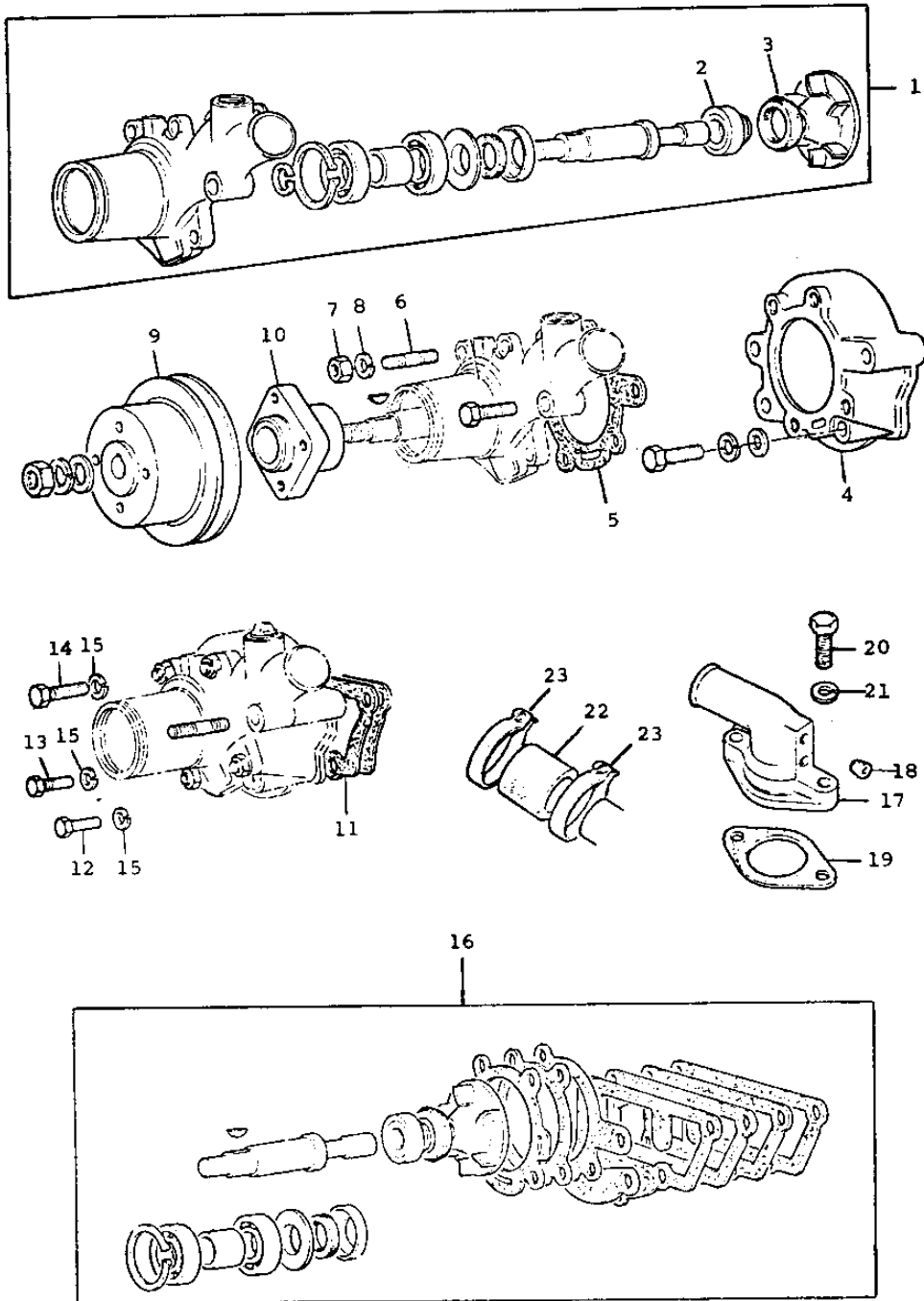
- SEA WATER PUMP -

<u>NOTE</u>	<u>REF. NO.</u>	<u>PART NO.</u>	<u>DESCRIPTION</u>	<u>QTY.</u>
(A)	1	NA003428	SEA WATER PUMP (ASSEMBLY) .....	1
	2	NA003421	BRACKET, sea water pump mounting .....	1
	3	0826232	STUD, pump mounting bracket to timing gear housing .....	2
	4	0576002	NUT, bracket retaining .....	2
	5	0920053	WASHER, spring .....	2
	6	0096241	SETSCREW, front cover to timing case - to sea water pump mtg. bracket	1
	7	0920003	WASHER, plain .....	1
	8	0748524	SETSCREW, sea water pump to support bracket .....	2
	9	2238153	NUT, sea water pump retaining .....	2
	10	0920054	WASHER, spring .....	2
	11	0920004	WASHER, plain .....	2
	12	NA003419	PULLEY, sea water pump .....	1
	13	0070101	BELT, sea water pump driving .....	1

Note:

(A) Component parts for Sea Water Pump #NA003428, ITT - Jabsco Part No. 11850-0101, will be supplied by the ITT - Jabsco Service Organization.

- FRESH WATER PUMP -

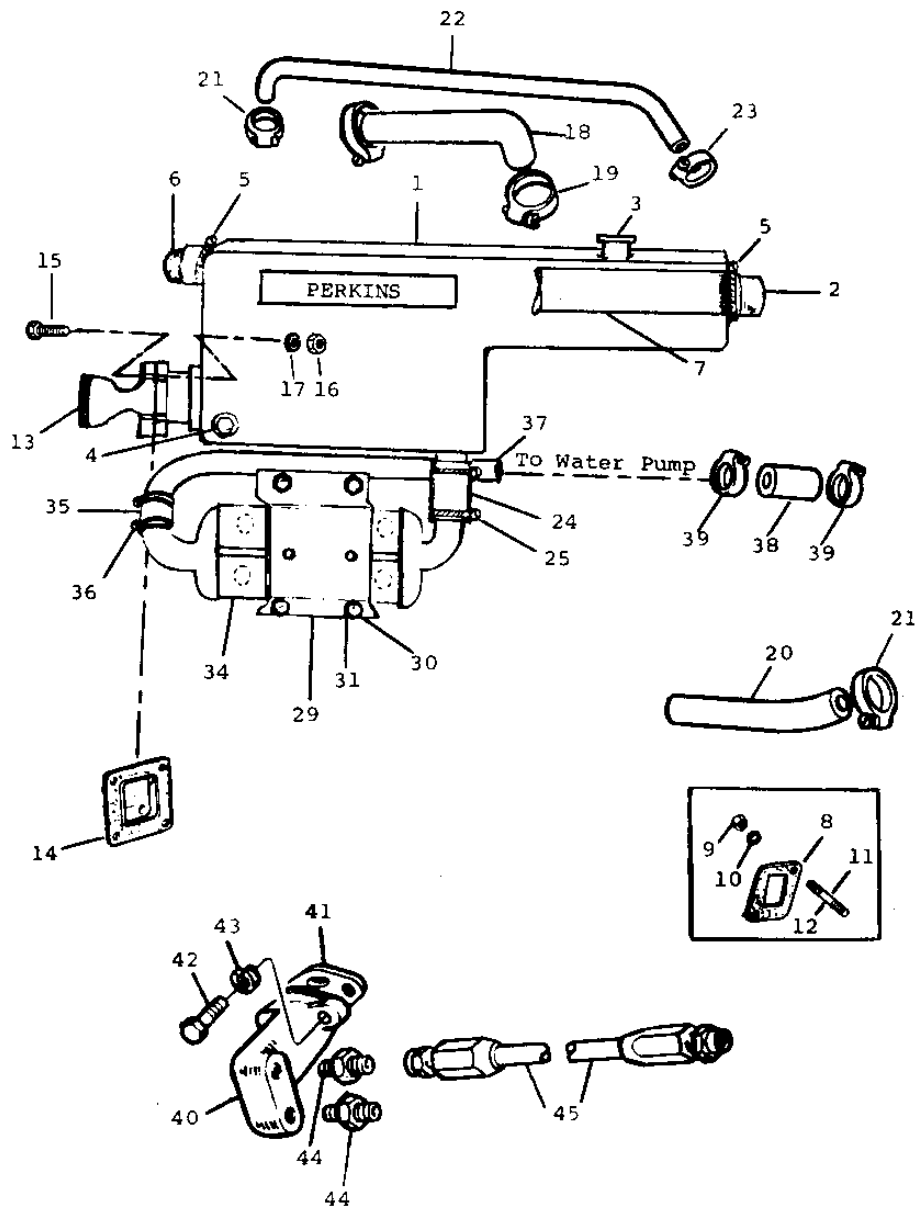


- FRESH WATER PUMP -

<u>NOTE</u>	<u>REF. NO.</u>	<u>PART NO.</u>	<u>DESCRIPTION</u>	<u>QTY.</u>
	1	41312418	FRESH WATER PUMP (ASSEMBLY) .....	1
		<i>U5NW0053</i>	Includes:	
	2	2415217	SEAL .....	1
	3	2417204	SEAL .....	1
	4	37712412	BODY, rear - water pump .....	1
	5	36822522	GASKET, front to rear body .....	1
	6	0826249	STUD, front to rear body .....	6
	7	0576151	NUT, body securing .....	6
	8	0920053	WASHER, spring .....	6
	9	3113M002	PULLEY, water pump .....	1
	10	33413121	HUB, pulley .....	1
	11	36867149	GASKET, water pump to cylinder block ..	1
	12	0096241	SETSCREW, pump to block .....	3
	13	0096238	SETSCREW, pump to block .....	1
	14	0746255	SETSCREW, pump to block .....	1
	15	0920053	WASHER, spring .....	5
	16	86956	REPAIR KIT, WATER PUMP (ASSEMBLY) .....	X
	17	NA003454	CONNECTION, water inlet .....	1
	18	2431154	PLUG, water inlet connection .....	1
	19	36834132	GASKET, water inlet connection .....	1
	20	0746255	SETSCREW, water inlet connection .....	2
	21	0920053	WASHER, spring .....	2
	22	0200080	HOSE, outlet body to pump .....	1
	23	0180107	CLIP, hose .....	2



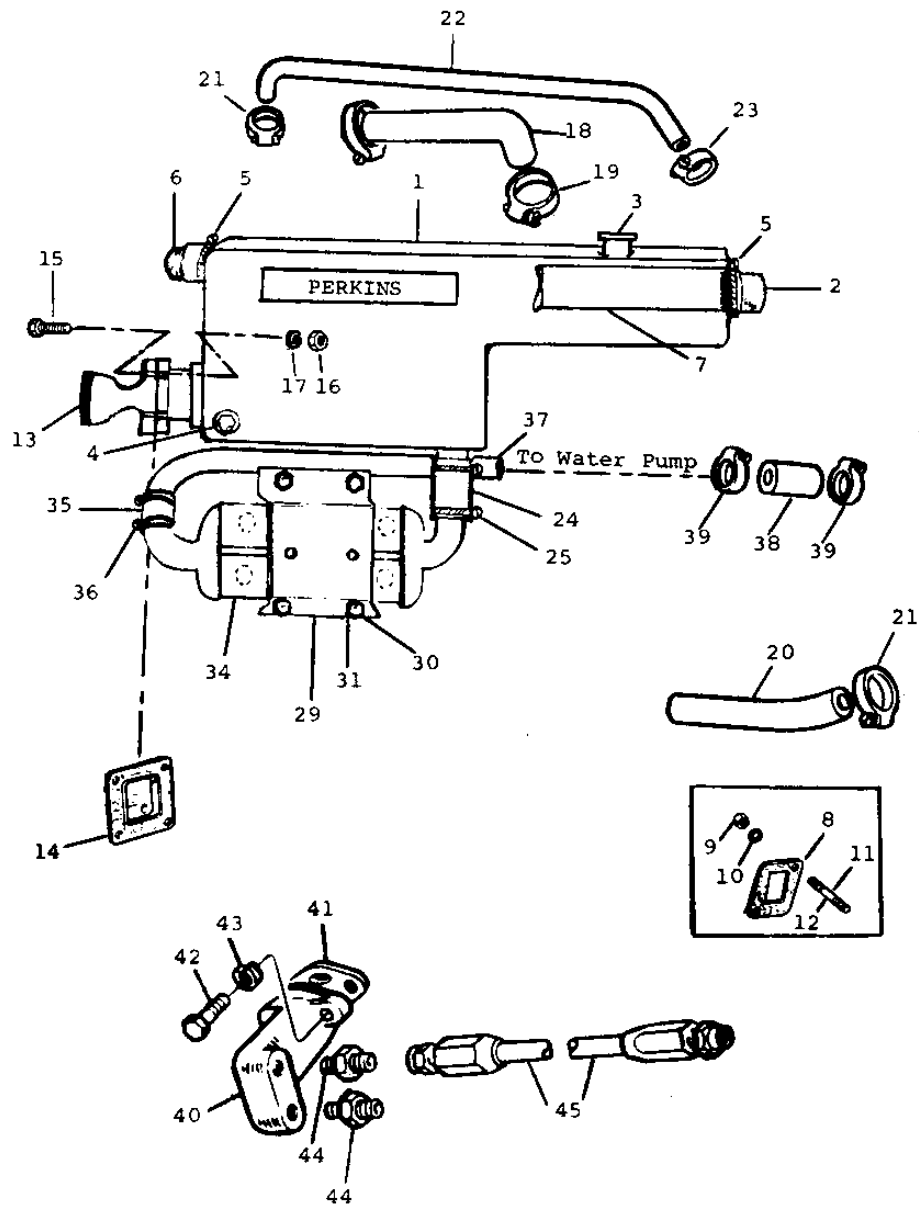
- HEAT EXCHANGER & HEADER TANK -



- HEAT EXCHANGER & HEADER TANK -

<u>NOTE</u>	<u>REF. NO.</u>	<u>PART NO.</u>	<u>DESCRIPTION</u>	<u>QTY.</u>
	1	41326025	MANIFOLD, HEAT EXCHANGER & HEADER TANK . Includes:	1
	2	24860162	END COVER, water inlet .....	1
	3	24860155	CAP, filler .....	1
	4	24860161	PLUG, drain .....	1
	5	2481889	CLIP, end cover hose .....	2
	5	2481890	CLIP, hose .....	2
	6	24860160	END COVER, water outlet .....	1
	7	24860163	STACK, tube .....	1
	-	37731321	ELBOW, heat exch. water outlet .....	1
	8	36866442	GASKET, cyl. head to exhaust manifold - heat exchanger .....	4
	9	0576064	NUT, exhaust manifold retaining .....	8
	10	0920003	WASHER, plain .....	8
	11	0826232	STUD, cyl. head to manifold - heat exch.	4
	12	0826243	STUD, cyl. head to manifold - heat exch.	4
	13	37766712	ELBOW, exhaust manifold water outlet ..	1
	13	37426472	FLANGE, exhaust manifold outlet .....	1
	14	36841135	GASKET, outlet flange .....	1
	15	0748525	BOLT, flange to manifold .....	4
	16	2238153	NUT, flange retaining .....	4
	17	0920054	WASHER, spring .....	4
	18	NA003460	HOSE, header tank to cyl. head water outlet connection .....	1
	19	0180069	CLIP, hose .....	2
	20	NA003451	HOSE, flex - sea water pump to heat exchanger .....	1
	21	0180066	CLAMP, hose .....	2
	22	NA003452	PIPE, sea water pump to heat exchanger .	1
	23	0180065	CLAMP, pipe .....	1
	24	NA003480	HOSE, heat exchanger manifold to oil cooler .....	1
	25	0180069	CLAMP, hose .....	2
	-	NA003413	BRACKET, oil cooler support .....	1
	-	0746851	SETSCREW, support bracket to block ....	2
	-	0920056	WASHER, spring .....	2
	29	NA000227	CLAMP, oil cooler retaining and sump pump support .....	1
	30	0748413	SETSCREW, clamp to support bracket ....	4
	31	0571415	NUT, cooler clamp retaining .....	4
	-	0920053	WASHER, spring .....	4
	-	0920003	WASHER, plain .....	4

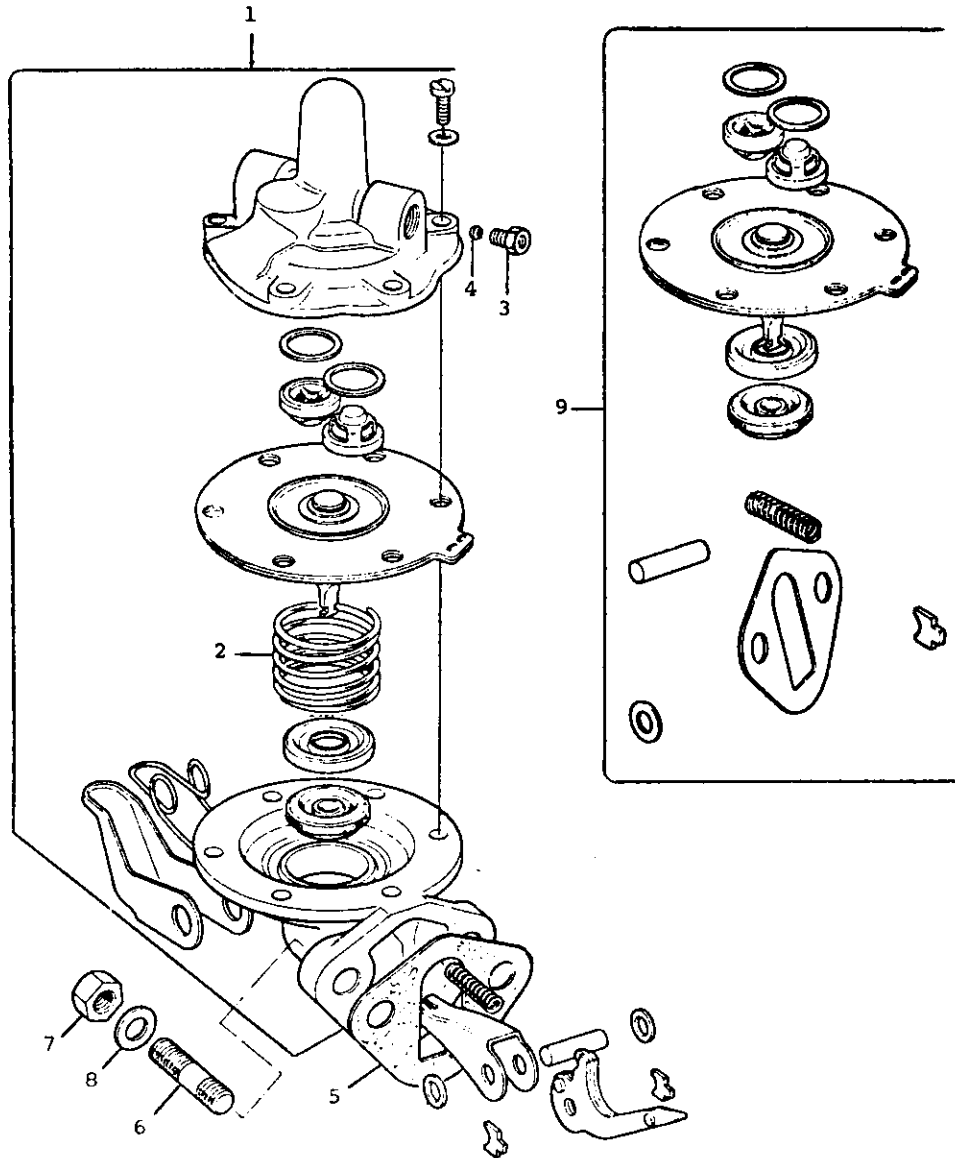
- HEAT EXCHANGER & HEADER TANK -



- HEAT EXCHANGER & HEADER TANK -

<u>NOTE</u>	<u>REF. NO.</u>	<u>PART NO.</u>	<u>DESCRIPTION</u>	<u>QTY.</u>
	34	NA003426	COOLER, oil - engine & gearbox .....	1 243 <sup>34</sup>
	35	33855118	HOSE, cooler outlet to water pump return pipe .....	1
	36	0180069	CLAMP, hose .....	2
	37	NA003453	PIPE, oil cooler to water pump .....	1
	38	33855118	HOSE, pipe to water pump connection ...	1
	39	0180069	CLAMP, hose .....	2
	40	NA003414	ADAPTOR, cyl. block lube oil pipes ....	1
	41	36862525	GASKET, adaptor to cylinder block .....	1
	42	0096631	SETSCREW, adaptor to block .....	2
	43	0920055	WASHER, spring .....	2
	44	NA000571	CONNECTION, cyl. block adaptor - in and out .....	2
	45	NA003432	PIPE, flex - lube oil adaptor to filter adaptor .....	1
	-	37731321	ELBOW, sea water - heat exchanger to exhaust manifold .....	1
	-	2481890	CLIP, sea water elbow .....	1
	-	NA001860	HOSE, header tank leak-off .....	1

- FUEL OIL LIFT PUMP -

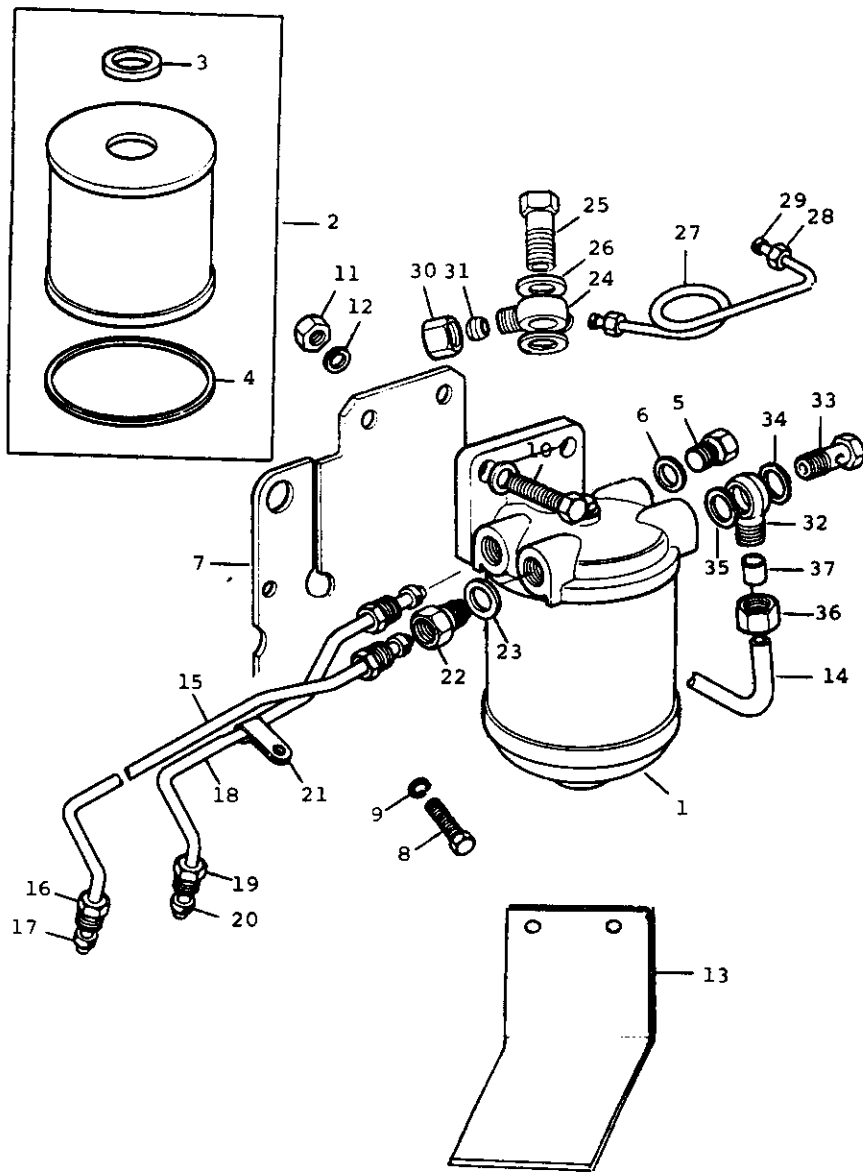


- FUEL OIL LIFT PUMP -

<u>NOTE</u>	<u>REF. NO.</u>	<u>PART NO.</u>	<u>DESCRIPTION</u>	<u>QTY.</u>
(A)	1	2641327	FUEL OIL LIFT PUMP (ASSEMBLY) .....	1
			Includes:	
	2	0780224	SPRING, diaphragm .....	1
	3	33533112	NUT, lift pump inlet .....	1
	4	0566003	FERRULE, lift pump inlet .....	1
	5	36862165	GASKET, lift pump to cylinder block ...	1
	6	0826248	STUD, lift pump to cylinder block .....	2
	7	0576002	NUT, lift pump retaining .....	2
	8	0920053	WASHER, spring .....	2
	9	26410063	REPAIR KIT, LIFT PUMP (ASSEMBLY) .....	X

Note:  
 (A) Rotate 180°

- FUEL OIL FILTER -

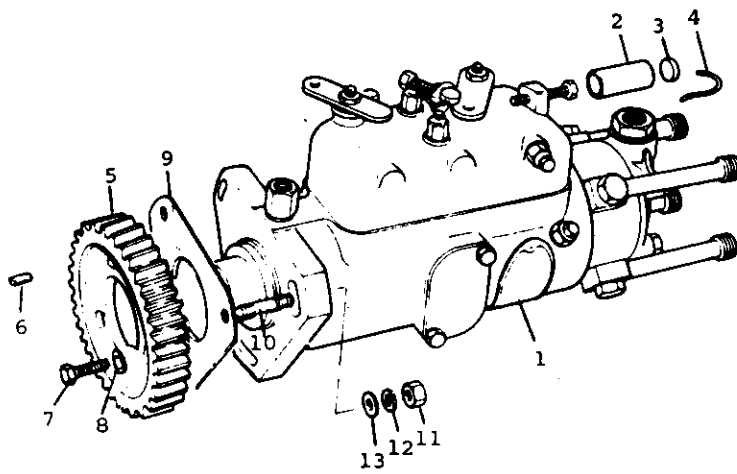
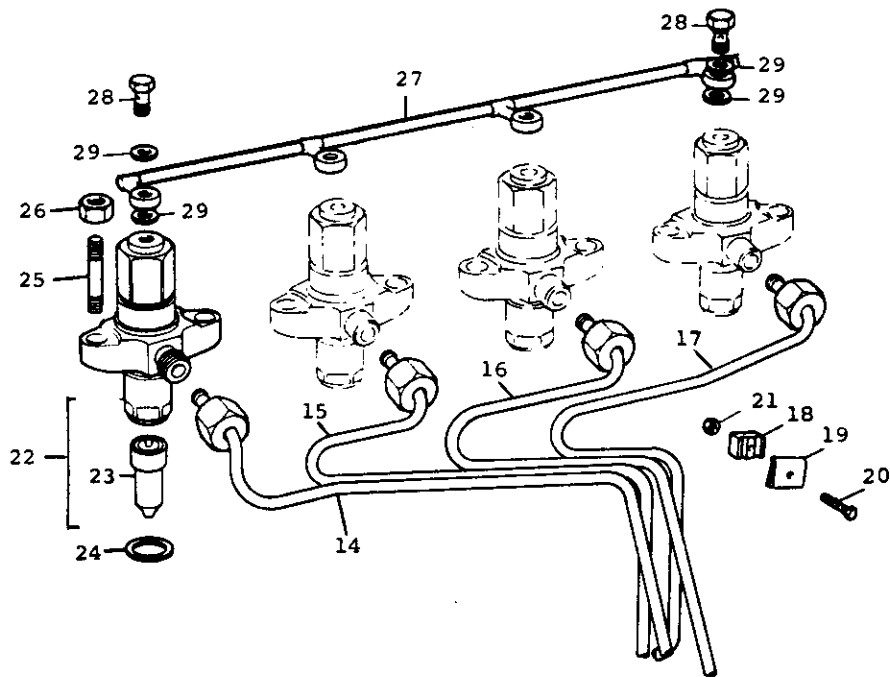


- FUEL OIL FILTER -

<u>NOTE</u>	<u>REF. NO.</u>	<u>PART NO.</u>	<u>DESCRIPTION</u>	<u>QTY.</u>
	1	2656613	FUEL OIL FILTER (ASSEMBLY) .....	1
			Includes:	
	2	26560017	ELEMENT KIT, fuel oil filter .....	1
			Includes:	
	3	26560014	SEAL, element seating .....	2
	4	0490786	SEAL, element sealing .....	2
	5	0650204	PLUG, filter - No. 4 Port .....	1
	6	0920154	WASHER, filter plug .....	1
	7	37581172	BRACKET, support - fuel filter .....	1
	8	0746452	SETSCREW, bracket to cyl. head .....	2
	9	0920054	WASHER, spring .....	2
	10	0096431	BOLT, filter to bracket .....	2
	11	0576051	NUT, filter retaining .....	2
	12	0920054	WASHER, spring .....	2
	13	NA003423	DRIP TRAY, fuel oil filter .....	1
	14	NA003448	PIPE, lift pump to fuel filter .....	1
	15	35845052	PIPE, fuel oil filter to fuel pump ....	1
			Includes:	
	16	33532128	NUT, fuel oil pipe .....	2
	17	33811113	FERRULE, fuel oil pipe .....	2
	18	41222235	PIPE, fuel inj. pump return to filter ..	1
			Includes:	
	19	33532128	NUT, fuel oil pipe .....	2
	20	33811113	FERRULE, fuel oil pipe .....	2
	21	0180173	CLIP, fuel oil pipe .....	1
	22	2658201	VALVE, non-return - fuel oil filter ...	1
	23	2411141	WASHER, non-return valve .....	1
	24	0201397	CONNECTION, banjo - filter overflow ...	1
	25	0095344	BOLT, banjo connection .....	1
	26	0920146	WASHER, banjo bolt .....	2
	27	NA003440	PIPE, injector leak-off to filter .....	1
	28	33225412	NUT, leak-off pipe .....	2
	29	33811112	FERRULE, leak-off pipe .....	2
	30	0576112	NUT, leak-off connection .....	1
	31	0566003	FERRULE, leak-off pipe .....	1
	32	0201091	CONNECTION, banjo - filter to pipe ....	1
	33	0095332	BOLT, banjo .....	1
	34	0920127	WASHER, banjo bolt .....	1
	35	0920154	WASHER, banjo bolt .....	1
	36	33225413	NUT, fuel pipe .....	1
	37	33811115	FERRULE, fuel pipe .....	1
	-	35833594	PIPE, flexible - filter to tank .....	1
	-	2656084	PRE-FILTER, fuel oil (supplied loose) ..	1
	-	33533112	NUT, pre-filter (supplied loose) .....	1
	-	0566003	FERRULE, pre-filter (supplied loose) ...	1



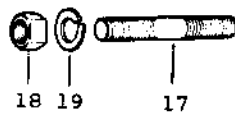
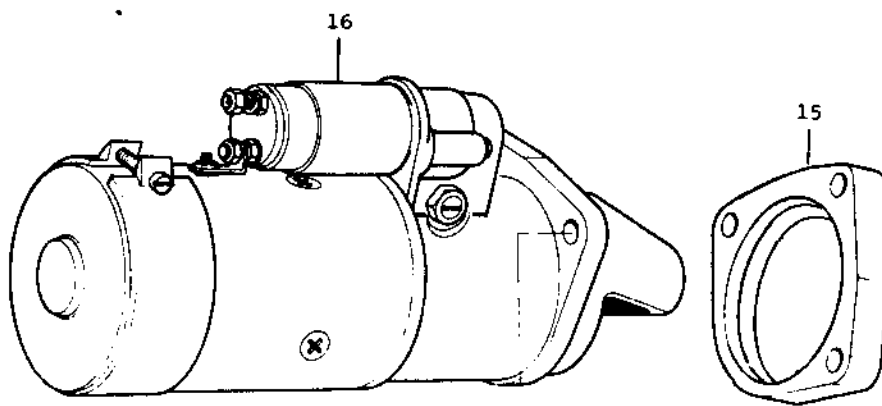
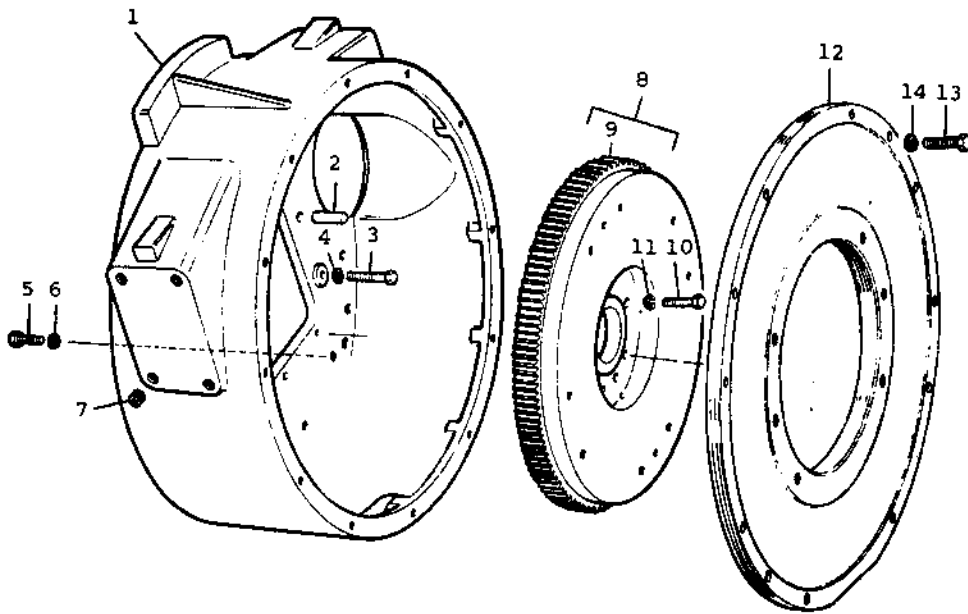
- FUEL INJECTION SYSTEM -



- FUEL INJECTION SYSTEM -

<u>NOTE</u>	<u>REF. NO.</u>	<u>PART NO.</u>	<u>DESCRIPTION</u>	<u>QTY.</u>
	1	38360	PUMP, fuel injection - c/w control levers .....	1
	2	2644951	SLEEVE, throttle lever adj. screw .....	1
	3	31718104	SEAL, adj. screw sleeve .....	1
	4	31718105	WIRE, sleeve seal .....	1
	5	31171982	GEAR, inj. pump driving .....	1
	6	2116078	DOWEL, driving gear .....	1
	7	0096201	SETSCREW, gear to pump .....	3
	8	0920053	WASHER, spring .....	3
	9	0490685	GASKET, inj. pump to adaptor .....	1
	10	0826218	STUD, pump adaptor to inj. pump .....	3
	11	0576002	NUT, pump retaining .....	3
	12	0920053	WASHER, spring .....	3
	13	0920003	WASHER, plain .....	3
	14	35355346	PIPE, fuel injection - No. 1 Cylinder ..	1
	15	35355347	PIPE, fuel injection - No. 2 Cylinder ..	1
	16	35355348	PIPE, fuel injection - No. 3 Cylinder ..	1
	17	35355349	PIPE, fuel injection - No. 4 Cylinder ..	1
	-	NA003449	LEVER, stop - fuel inj. pump .....	1
	-	NA003450	STOP, inj. pump stop lever .....	1
	18	36844116	DAMPER, vibration - fuel inj. pipe ....	4
	19	36511123	PLATE, vibration damper .....	4
	20	0726505	BOLT, vibration damper .....	2
	21	2211291	NUT, damper bolt .....	2
	22	2645580	INJECTOR & HOLDER (ASSEMBLY) .....	4
			Includes:	
	23	33435	NOZZLE, fuel oil .....	1
	24	0920113	WASHER, injector seating .....	4
	25	32514311	STUD, cyl. head to injector .....	8
	26	0576002	NUT, injector retaining .....	8
	27	35587366	PIPE, injector leak-off (Assembly) ....	1
	28	0095315	BOLT, banjo .....	4
	29	0921176	WASHER, banjo bolt .....	8
	-	0520463	BRACKET, stop control spring - fitted to timing case blockside bolt ...	1
	-	31751107	SPRING, stop control return .....	1
	-	0520463	BRACKET, throttle control spring - bend slightly to fit spring - fitted to top bolt of timing case ...	1
	-	0780268	SPRING, throttle control return .....	1

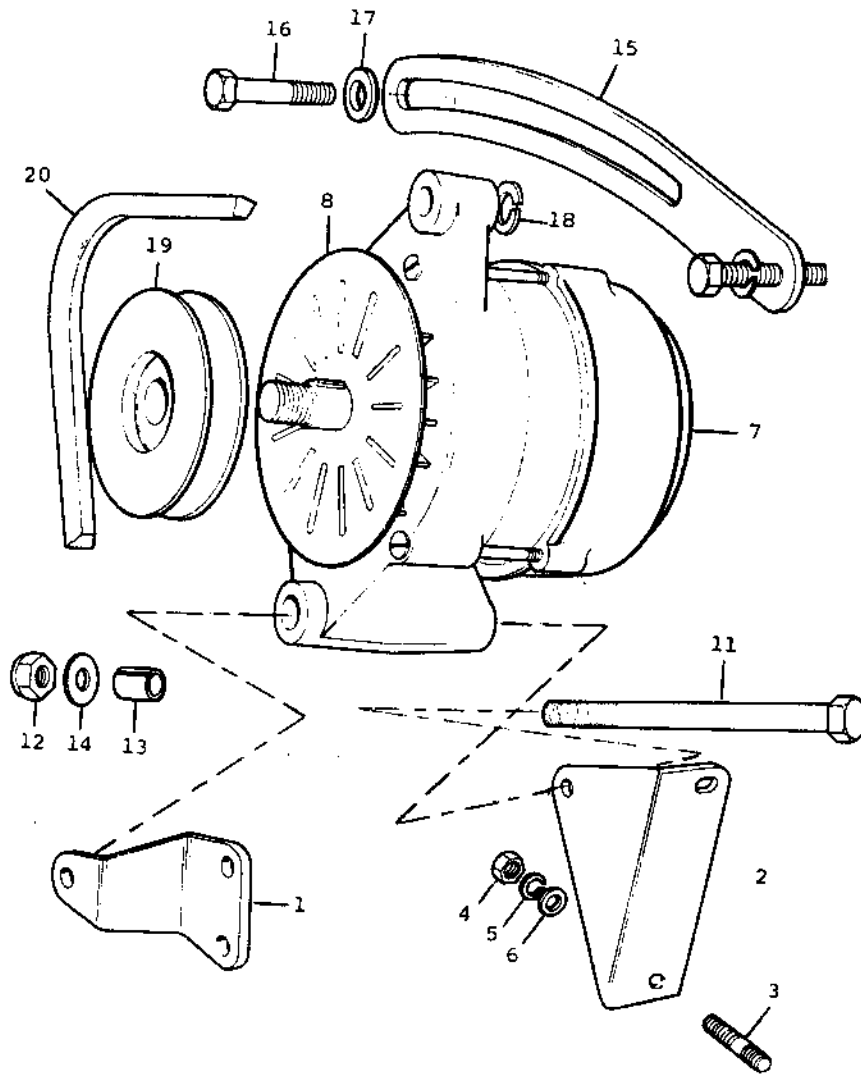
- FLYWHEEL & HOUSING -



- FLYWHEEL & HOUSING -

<u>NOTE</u>	<u>REF. NO.</u>	<u>PART NO.</u>	<u>DESCRIPTION</u>	<u>QTY.</u>
	1	37134844	HOUSING, flywheel .....	1
	2	0350016	DOWEL, cyl. block to flywheel housing ..	2
	3	0096433	SETSCREW, housing to cyl. block .....	2
	3	0746424	SETSCREW, housing to cyl. block .....	6
	4	33115129	WASHER, housing to block setscrew .....	8
	5	0746454	SETSCREW, oil pan to flywheel housing ..	4
	6	0920053	WASHER, spring .....	4
	7	32114441	PLUG, flywheel housing blanking .....	8
	8	NA900085	FLYWHEEL & RING GEAR (ASSEMBLY) .....	1
			Includes:	
	9	31161147	RING, starter .....	1
	10	2182122	SETSCREW, flywheel to crankshaft .....	6
	11	33117121	WASHER, flywheel to crankshaft .....	6
	12	NA003406	ADAPTOR PLATE, gear box to flywheel hsg.	1
	13	0096431	SETSCREW, plate to housing .....	12
	14	0920054	WASHER, spring .....	12
	-	2184463	SCREW, adaptor plate to gearbox .....	2
	-	0826612	STUD, gearbox to adaptor plate .....	4
	15	NA003425	SPACER, starter motor .....	1
	16	NA000623	STARTER MOTOR (Delco-Remy) .....	1
	17	0826438	STUD, starter motor to flywheel housing.	3
	18	0576051	NUT, starter motor retaining .....	3
	19	0920054	WASHER, spring .....	3
	-	NA003670	NUT, battery terminal .....	1
	-	2134177	WASHER, spring .....	1
	-	NA003671	NUT, switch & resistor terminal .....	2
	-	0920051	WASHER, spring .....	2

- ELECTRICAL EQUIPMENT -



- ELECTRICAL EQUIPMENT -

<u>NOTE</u>	<u>REF. NO.</u>	<u>PART NO.</u>	<u>DESCRIPTION</u>	<u>QTY.</u>
	1	NA003347	BRACKET, alternator - front .....	1
	2	NA003348	BRACKET, alternator - rear .....	1
	3	0826463	STUD, cyl. block to alt. bracket .....	2
	4	0576051	NUT, alternator bracket retaining .....	2
	5	0920054	WASHER, spring .....	2
	6	0920004	WASHER, plain .....	2
	7	NA001905	ALTERNATOR, 61 Amp. c/w regulator - (Delco #1102921) .....	1
	8	2871954	FAN, alternator cooling .....	1
	-	NA004800	CONNECTION, alternator terminal .....	1
	-	NA000904	CONNECTION, alternator terminal .....	3
	11	0096444	BOLT, alternator to bracket .....	1
	12	2211224	NUT, alternator retaining .....	1
	13	NA000721	BUSHING, alt. clamping bolt .....	1
	14	0920004	WASHER, plain .....	1
	15	NA003424	LEVER, alternator adjusting .....	1
	16	0748414	SETSCREW, lever to alternator .....	1
	17	0920497	WASHER, plain .....	1
	18	0920053	WASHER, spring .....	1
	19	31141645	PULLEY, alternator (2-3/4" dia. - 3/8" groove) .....	1
	20	NA003439	BELT, alternator & water pump driving ..	1
	-	NA000475	NUT, alternator - bat. term. .....	1
	-	0748411	SETSCREW, alternator - ground term. ...	1
	-	0920053	WASHER, spring .....	1
	-	NA000208	TRANSMITTER, oil pressure .....	1
	-	NA000474	NUT, oil pressure transmitter .....	1
	-	NA000209	TRANSMITTER, water temp. .....	1
	-	NA000474	NUT, water temp. transmitter .....	1



- ENGINE WIRING HARNESS -

<u>NOTE</u>	<u>REF.</u> <u>NO.</u>	<u>PART NO.</u>	<u>DESCRIPTION</u>	<u>QTY.</u>
	1	NA003441	ENGINE WIRING HARNESS (ASSEMBLY) .....	1
	2	NA003442	BRACKET, wiring harness - to rear lift- ing eye setscrew .....	1
	3	NA003443	CLAMP, wiring harness to bracket .....	1
	4	2182003	SCREW, clamp to harness support bracket.	2
	5	2211401	NUT, clamp to bracket retaining .....	2



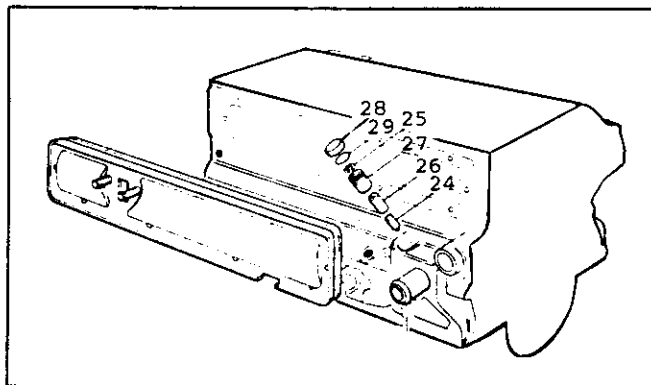
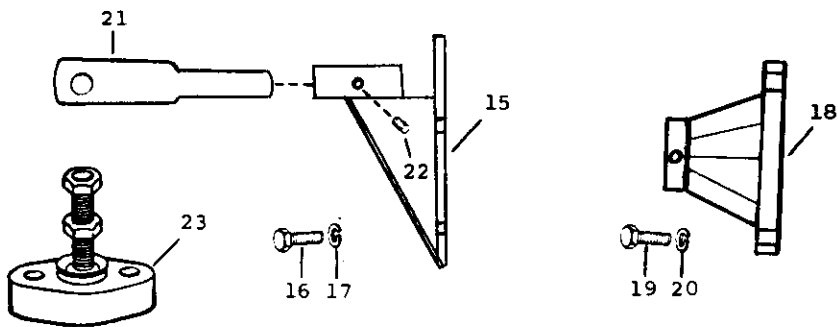
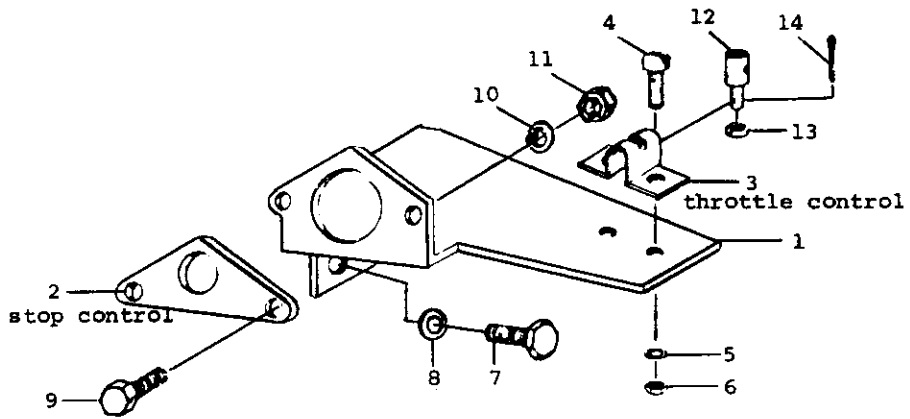
- ACCESSORIES -

NOTE	REF. NO.	PART NO.	DESCRIPTION	QTY.
		NA003482	THROTTLE & STOP CONTROL KIT (ASSEMBLY) . Includes:	1
	1	NA003477	BRACKET, solenoid mounting .....	1
	2	NA003478	BRACKET, stop control support .....	1
	3	NA001309	CLAMP, throttle cable .....	1
	4	2173706	SCREW, clamp to solenoid bracket ...	2
	5	0920296	WASHER, tooth lock .....	2
	6	0576053	NUT, cable clamp screw .....	2
	7	0746253	SCREW, bracket to plug .....	2
	8	0920299	WASHER, spring .....	2
	9	NA003484	SCREW, stop brkt. to solenoid brkt. .	2
	10	0920052	WASHER, spring .....	2
	11	0576001	NUT, bracket retaining .....	2
	12	NA001471	PIN, pivot .....	2
	13	NA001473	WASHER, plain .....	2
	14	NA001458	PIN, cotter .....	2
	15	NA001699	BRACKET, engine rear mounting .....	2
	16	0748611	SETSCREW, mtg. bracket to gearbox .....	4
	17	0920055	WASHER, spring .....	4
	18	NA003407	BRACKET, engine front mounting .....	2
	19	0096634	SETSCREW, mtg. brkt. to block .....	2
	19	0096631	SETSCREW, mtg. brkt. to block .....	4
	20	0920055	WASHER, spring .....	6
(A)	21	NA000594	TRUNNION, engine rear mounting .....	2
	22	NA000468	SCREW, trunnion to support bracket ....	4
(A)	21	NA000594	TRUNNION, engine front mounting .....	2
	22	NA000468	SCREW, trunnion to support bracket ....	4
	23	NA004146	MOUNTS, flexible .....	4
	-	NA004473	LABEL, caution hot water (locate adja- cent to w/filler cap) .....	1
	-	NA001706	PLAQUE, rotation identification .....	1
	-	31815577	LABEL, engine name .....	1
	-	35833535	PIPE, flexible - fuel tank to lift pump (supplied loose) .....	1
	24	33473107	SHAFT, tachometer drive .....	1
	25	0170052	SNAP RING, shaft retaining .....	1
	26	0050358	BEARING, tachometer drive .....	1
	27	0770101	SLEEVE, tachometer drive .....	1
	28	32417114	CAPNUT, tachometer drive sleeve .....	1
	29	32811104	WASHER, capnut .....	1

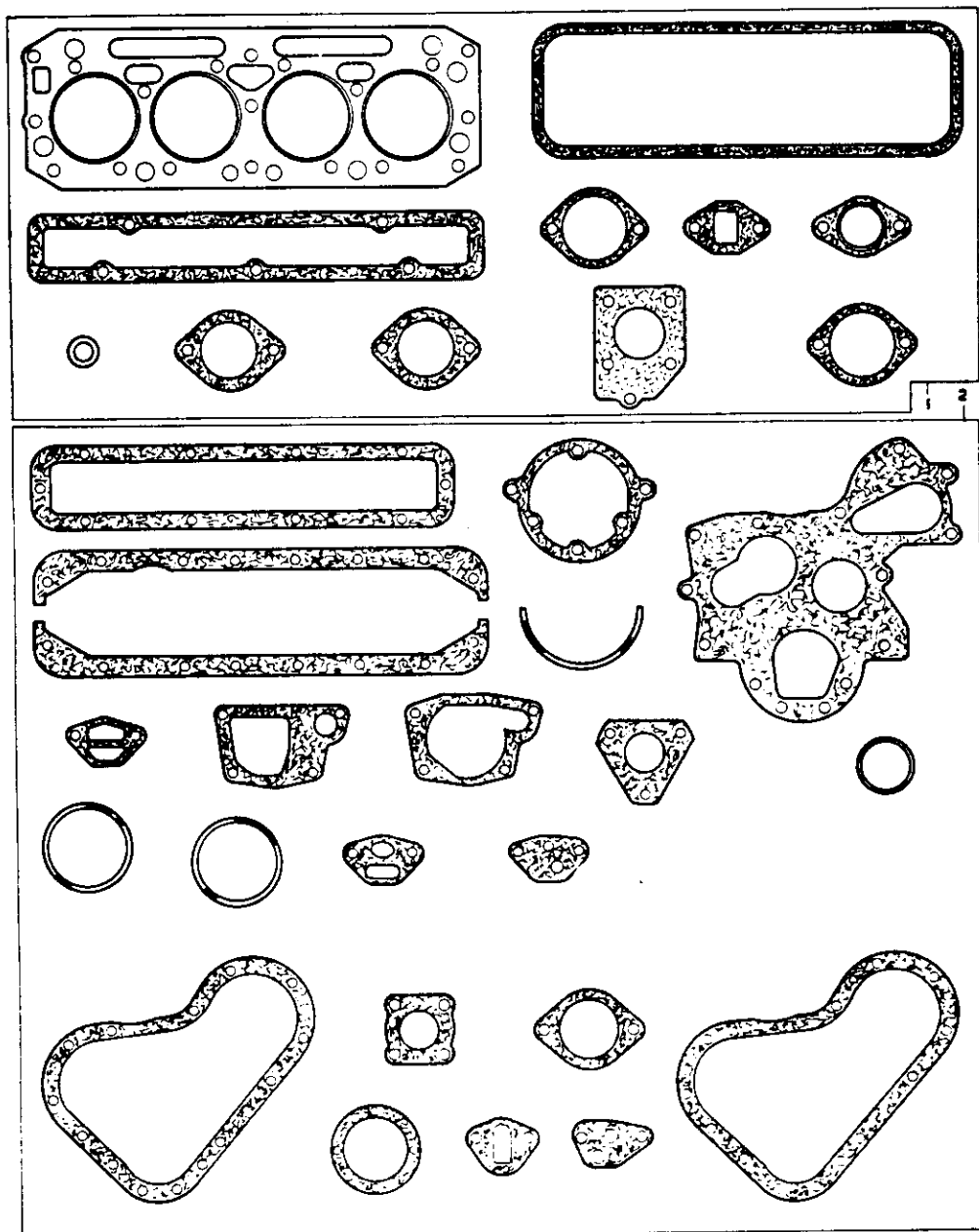
Note:

(A) Order Qty. (4) each of Part Numbers NA003786 Mounting Pad and NA003787 Bushing.

- ACCESSORIES -



- GASKET SETS -



- GASKET SETS -

<u>NOTE</u>	<u>REF. NO.</u>	<u>PART NO.</u>	<u>DESCRIPTION</u>	<u>QTY.</u>
	1	88994	GASKET SET, TOP OVERHAUL (ASSEMBLY) ...	X
	2	86999	GASKET SET, BOTTOM OVERHAUL (ASSEMBLY) .	X